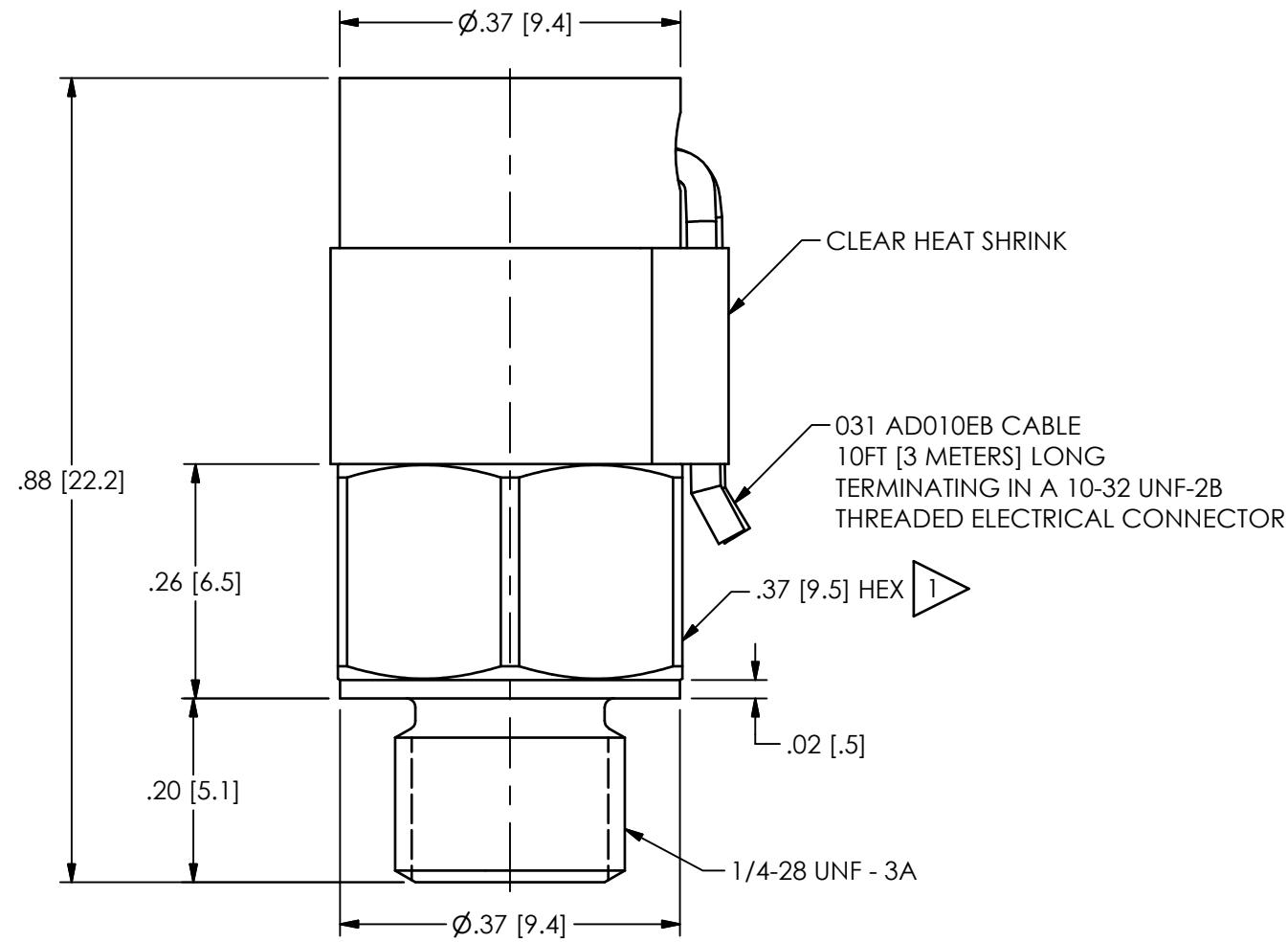


PCB Piezotronics Inc. claims proprietary rights in the information disclosed hereon. Neither it nor any reproduction thereof will be disclosed to others without the written consent of PCB Piezotronics Inc.

11671

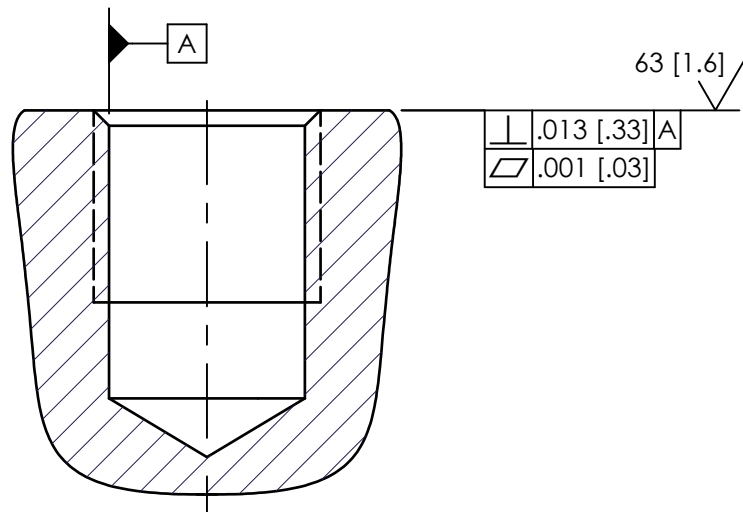
REVISIONS

| REV | DESCRIPTION    | DIN   |
|-----|----------------|-------|
| H   | UPDATED NOTE 1 | 44779 |



| PIN OUTS      |       |              |            |
|---------------|-------|--------------|------------|
| FUNCTION      | 031   | 032          | EB         |
| SIGNAL/ POWER | RED   | WHITE        | CENTER PIN |
| GROUND        | WHITE | BLACK        | SHELL      |
| CASE          | N/A   | SHIELD/GREEN | N/A        |

MOUNTING HOLE PREPARATION  
 $\varnothing.218$  [5.41]  $\nabla.30$  [7.6] MIN  
 $1/4-28$  UNF-3B  $\nabla.20$  [5.1] MIN



1 RECOMMENDED MOUNTING TORQUE ON .37 [9.5] HEX 2.5-4 FOOT POUNDS [3.4-5.4 NEWTON METERS].

| UNLESS OTHERWISE SPECIFIED TOLERANCES ARE: |   | DRAWN   |                   | CHECKED |         | ENGINEER |         |
|--|---|---|-------------------|---------|---------|----------|---------|
| DIMENSIONS IN INCHES                       | DIMENSIONS IN MILLIMETERS [IN BRACKETS] | BB  | 12/4/15           | ECB     | 12/4/15 | AJA      | 12/4/15 |
| DECIMALS XX ±.01<br>XXX ±.005              | DECIMALS X ±.03<br>XX ±.013             | TITLE<br>INSTALLATION DRAWING<br>MECHANICALLY FILTERED<br>SHOCK ACCELEROMETER               |                   |         |         |          |         |
| ANGLES ± 2 DEGREES                         | ANGLES ± 2 DEGREES                      |   |                   |         |         |          |         |
| FILLETS AND RADII<br>.003 - .005           | FILLETS AND RADII<br>0.07 - 0.13        | <p>3425 WALDEN AVE. DEPEW, NY 14043<br/>           (716) 684-0001 E-MAIL: sales@pcb.com</p> |                   |         |         |          |         |
|  |   | CODE IDENT. NO.<br>52681  | DWG. NO.<br>11671 |         |         |          |         |
|  |   | SCALE: FULL   | SHEET 1 OF 1      |         |         |          |         |