

2

1

APPLICATION

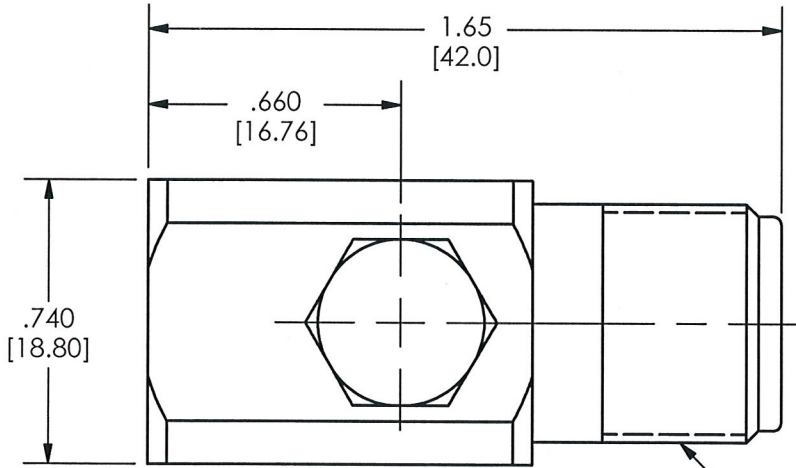
REVISIONS

NEXT ASS'Y	USED ON	VAR

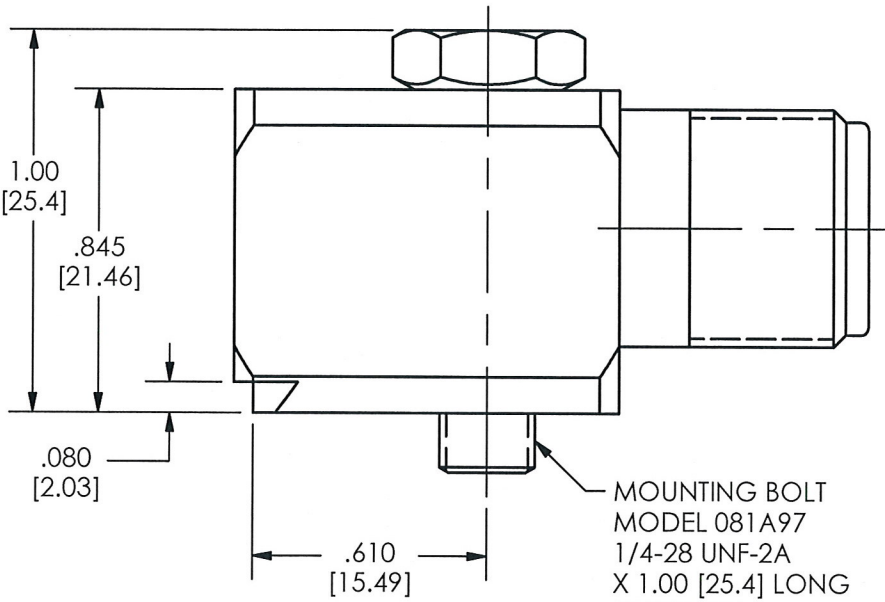
REV	DESCRIPTION	ECN	APP'D
NR	RELEASED TO DRAFTING		ECB '25 <sup>07</sup>

36467

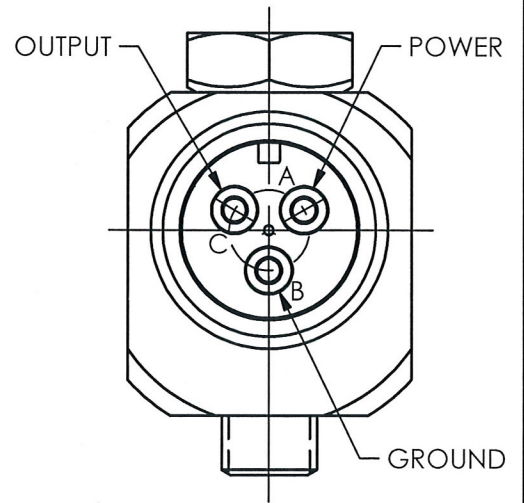
PCB Piezotronics Inc. claims proprietary rights in the information disclosed hereon. Neither it nor any reproduction thereof will be disclosed to others without the written consent of PCB Piezotronics Inc.



ELECTRICAL CONNECTOR  
5/8-24 UNEF-2A  
3 PIN (MIL-C-5015)



MOUNTING BOLT  
MODEL 081A97  
1/4-28 UNF-2A  
X 1.00 [25.4] LONG  
(SUPPLIED)



1 FOR METRIC ACCELEROMETER (MODEL M602M64) USE MOUNTING BOLT MODEL M081A97, M6 X 1.00-6g X 1.00 [25.4] LONG.

UNLESS OTHERWISE SPECIFIED TOLERANCES ARE:

DIMENSIONS IN INCHES	DIMENSIONS IN MILLIMETERS [ IN BRACKETS ]
DECIMALS XX ± .03 XXX ± .010	DECIMALS X ± 0.8 XX ± 0.25
ANGLES ± 2 DEGREES	ANGLES ± 2 DEGREES

DRAWN	1/24/07	MFG	1/24/07
CHK'D	ECB '25 <sup>07</sup>	ENGR	708 1/24/07
APP'D	NE 1/24/07	SALES	grm 1/24/07
TITLE	OUTLINE DRAWING MODEL 602M64, M ACCELEROMETER		

**PCB PIEZOTRONICS** INC

3425 WALDEN AVE. DEPEW, NY 14043  
(716) 684-0001 E-MAIL: sales@pcb.com

CODE IDENT. NO. 52681	DWG. NO. <b>36467</b>
--------------------------	--------------------------

SCALE: 2X SHEET 1 OF 1

2

1

1