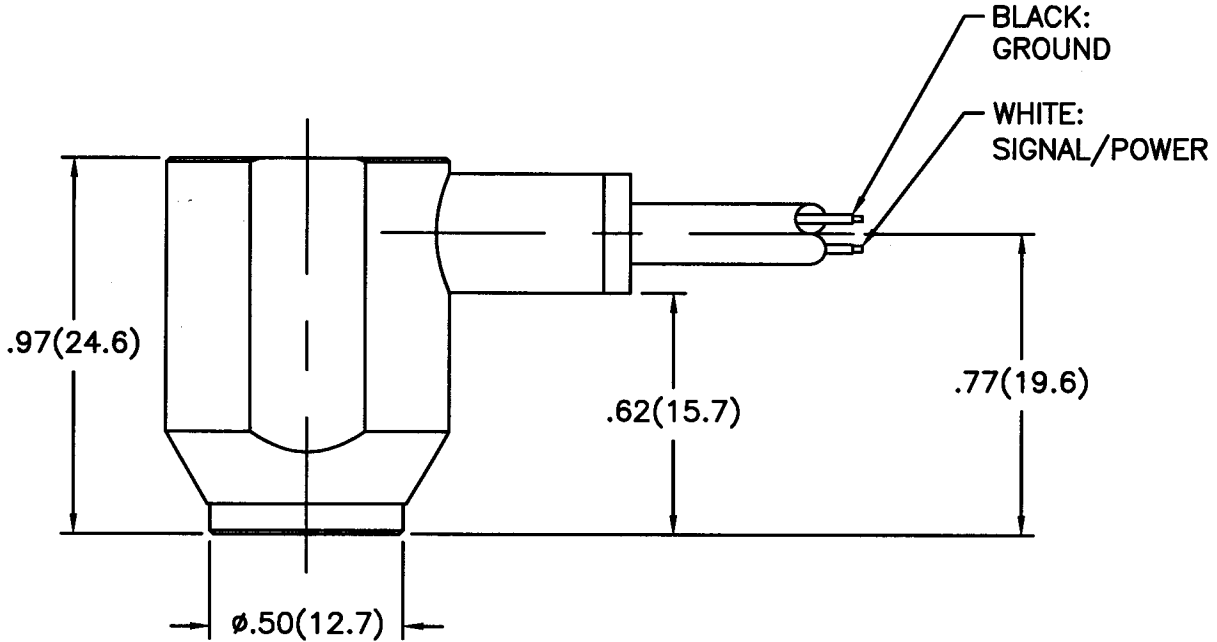
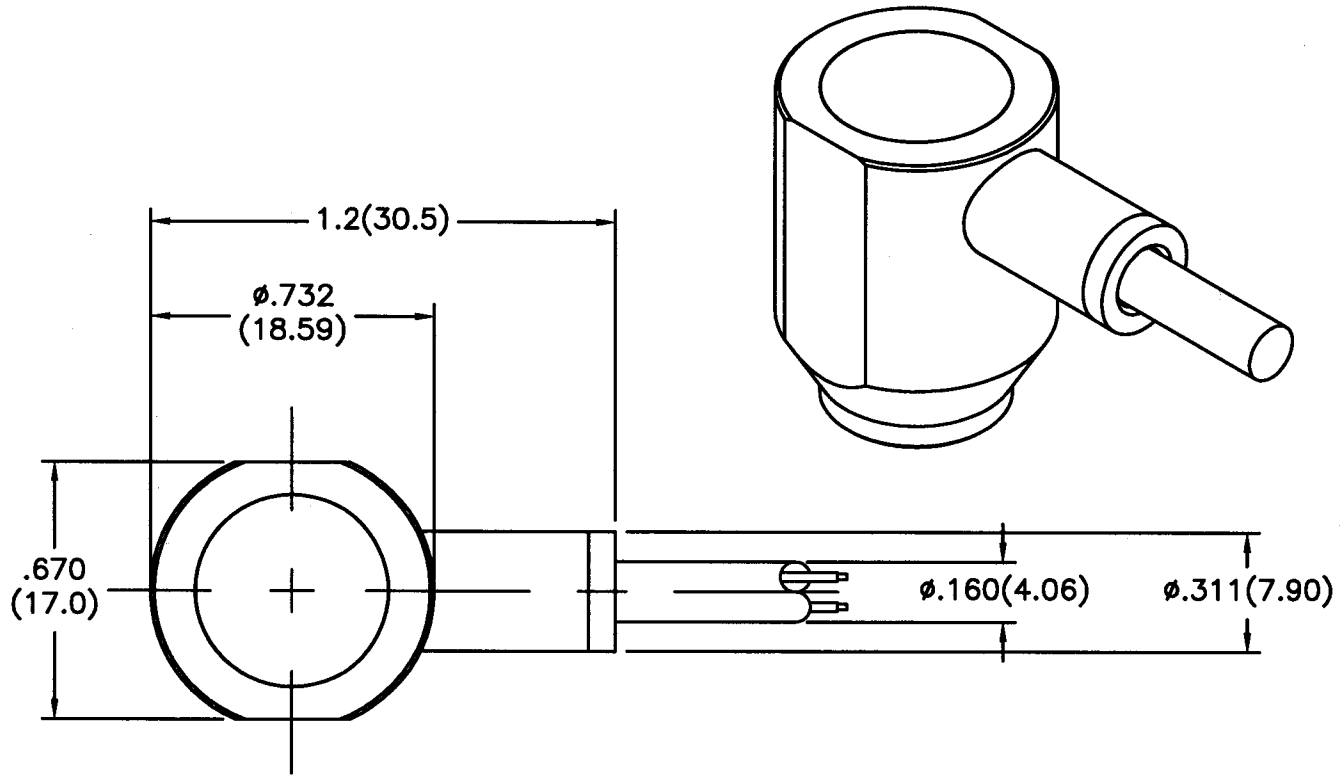


23857

PCB Piezotronics Inc. claims proprietary rights in the information disclosed herein. Neither it nor any reproduction thereof will be disclosed to others without written consent of PCB Piezotronics Inc.

APPLICATION		
NEXT ASS'Y	USED ON	VAR

REVISIONS				
REV	DESCRIPTION	ECN	DATE	APP'D
NR	RELEASED TO DRAFTING		9/30/03	<i>DMU/2</i>



UNLESS SPECIFIED: TOLERANCES	
DIMENSIONS IN INCHES	DIMENSIONS IN MILLIMETERS [IN BRACKETS]
DECIMALS XX ±.01	DECIMALS X ±0.3
XXX ±.005	XX ±0.13
ANGLES ±2 DEGREES	ANGLES ±2 DEGREES
FILLETS AND RADII .003 - .005	FILLETS AND RADII [0.07 - 0.13]
DD011 REV. C 01/21/03	

DRAWN	<i>MUS</i>	10.1.03	MFG	<i>KMB</i>	10/21/03
CHK'D	<i>DM</i>	10/21/03	ENGR	<i>DM</i>	10/21/03
APP'D	<i>NR</i>	10/14/03		<i>DM</i>	10/21/03
TITLE	OUTLINE DRAWING MODEL 607M53 ACCELEROMETER				

PCB PIEZOTRONICS
 3425 WALDEN AVE. DEPEW, NY 14043
 (716) 684-0001 EMAIL: SALES@PCB.COM

CODE IDENT. NO. 52681

DWG. NO. 23857

SCALE: 2 : 1 SHEET 1 OF 1