

APPLICATION

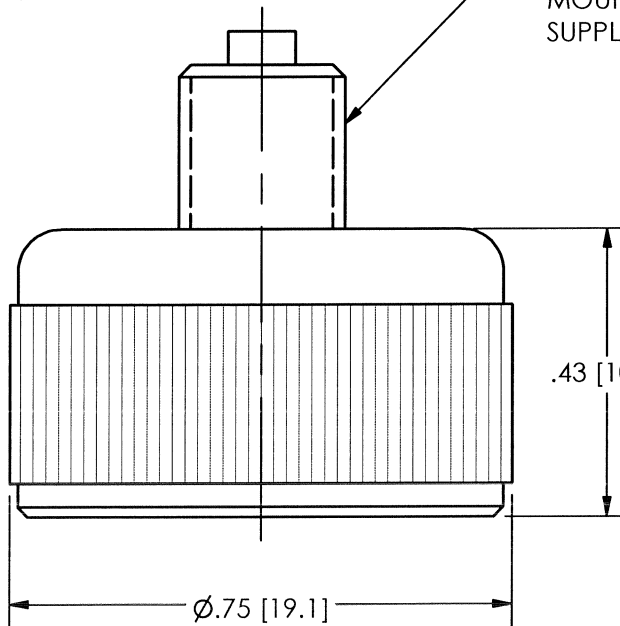
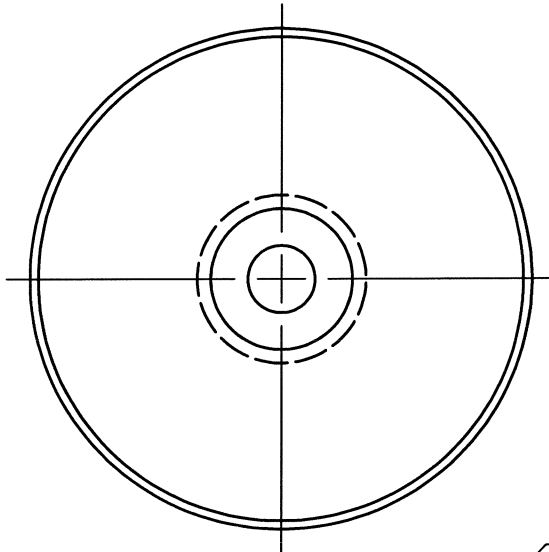
REVISIONS

NEXT ASS'Y	USED ON	VAR

REV	DESCRIPTION	ECN	APP'D
NR	RELEASED TO DRAFTING		DM 6/01
A	ADDED MOUNTING STUD	25111	ECB 10/17/06

16498

PCB Piezotronics Inc. claims proprietary rights in the information disclosed hereon. Neither it nor any reproduction thereof will be disclosed to others without the written consent of PCB Piezotronics Inc.



2.) PULL STRENGTH = 15 LBS

1 MODEL M080A120; THREAD IS M6 X 1.0 6H AND MOUNTING STUD M081A61 REPLACES 081A40.

UNLESS OTHERWISE SPECIFIED TOLERANCES ARE:

DIMENSIONS IN INCHES	DIMENSIONS IN MILLIMETERS [ IN BRACKETS ]
DECIMALS XX ± .03 XXX ± .010	DECIMALS X ± 0.8 XX ± 0.25
ANGLES ± 2 DEGREES	ANGLES ± 2 DEGREES

DRAWN	<i>JMM</i> 10/17/06	MFG	<i>P.D</i> 10/18/06
CHK'D	ECB 10/17/06	ENGR	<i>MNS</i> 10/18/06
APP'D	<i>N.F</i> 10/18/06	SALES	<i>gzm</i> 10/18/06
TITLE			

**PCB PIEZOTRONICS**<sup>INC</sup>  
 3425 WALDEN AVE. DEPEW, NY 14043  
 (716) 684-0001 E-MAIL: sales@pcb.com

OUTLINE DRAWING  
 MODEL 080A120, M  
 FLAT SURFACE MAGNET

CODE IDENT. NO. 52681	DWG. NO. 16498
SCALE: 3.5X	SHEET 1 OF 1