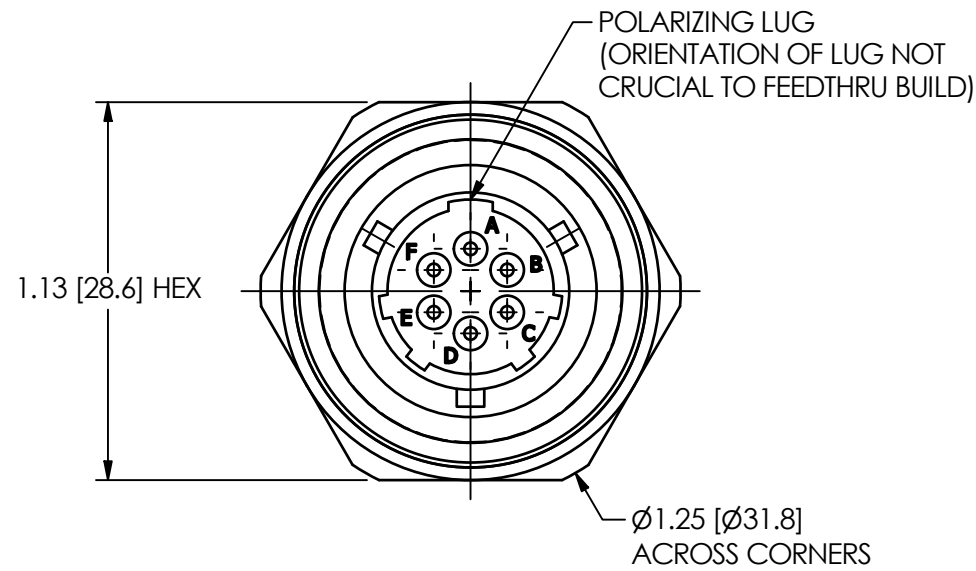


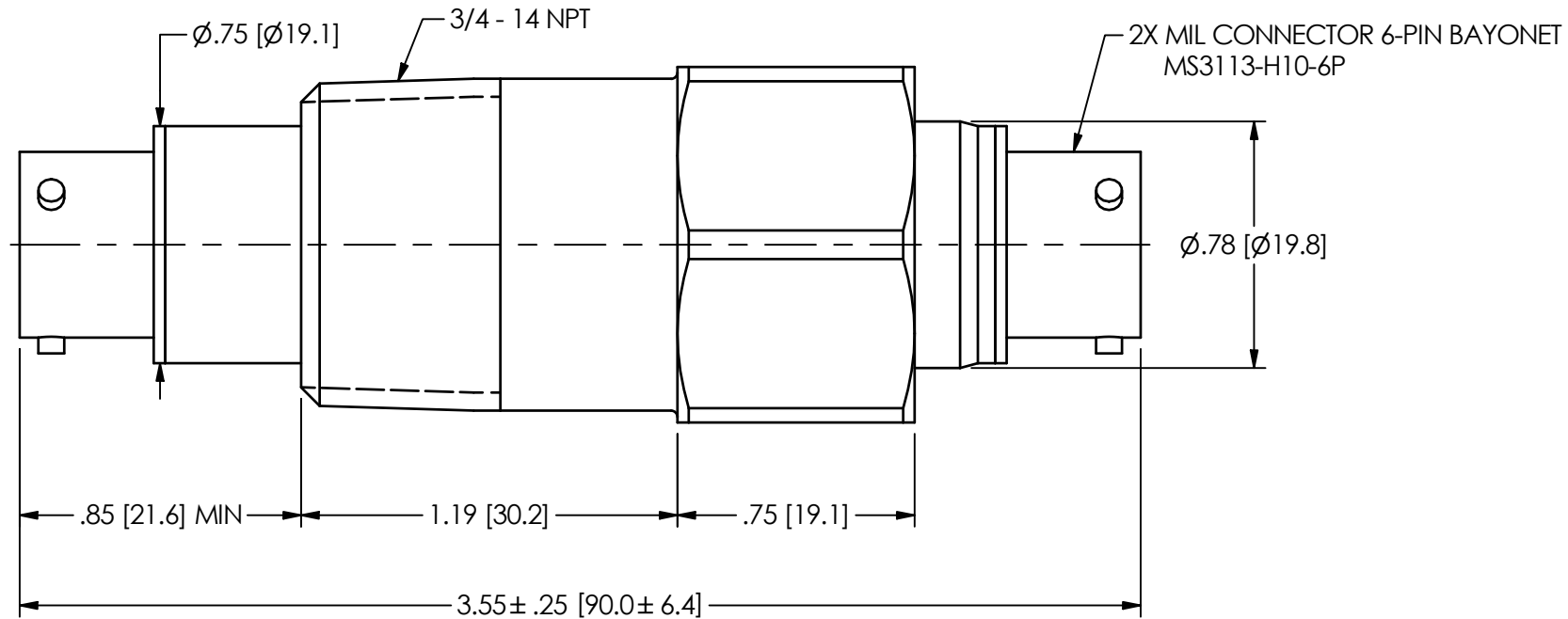
47955

PCB Piezotronics Inc. claims proprietary rights in the information disclosed hereon. Neither it nor any reproduction thereof will be disclosed to others without the written consent of PCB Piezotronics Inc.

REVISIONS		
REV	DESCRIPTION	DIN
B	UPDATED NOTE 1, ADDED TABLE & NOTE 2	51469



PIN OUT CHART		
PIN	CHANNEL	COLOR
A	1	RED
B	1	BLACK
C	2	RED
D	2	BLACK
E	3	RED
F	3	BLACK



2.) EBARA INTERNATIONAL PART NUMBER: 8070414-06

1.) FEEDTHRU DESIGN PRESSURE: 2175 PSIG

UNLESS OTHERWISE SPECIFIED TOLERANCES ARE:		DRAWN		CHECKED		ENGINEER		
DIMENSIONS IN INCHES	DIMENSIONS IN MILLIMETERS [IN BRACKETS]	JJF	3/15/21	JJF	3/15/21	HWK	3/15/21	
DECIMALS XX ±.03 XXX ±.010	DECIMALS X ±0.8 XX ±0.25	TITLE OUTLINE DRAWING MODEL 080M444 6-PIN HERMETIC FEED THRU						3425 WALDEN AVE. DEPEW, NY 14043 (716) 684-0001 E-MAIL: sales@pcb.com
ANGLES ± 2 DEGREES	ANGLES ± 2 DEGREES							CODE IDENT. NO. 52681
FILLETS AND RADII .003 - .005	FILLETS AND RADII 0.07 - 0.13	SCALE: 1.75X	SHEET 1 OF 1					