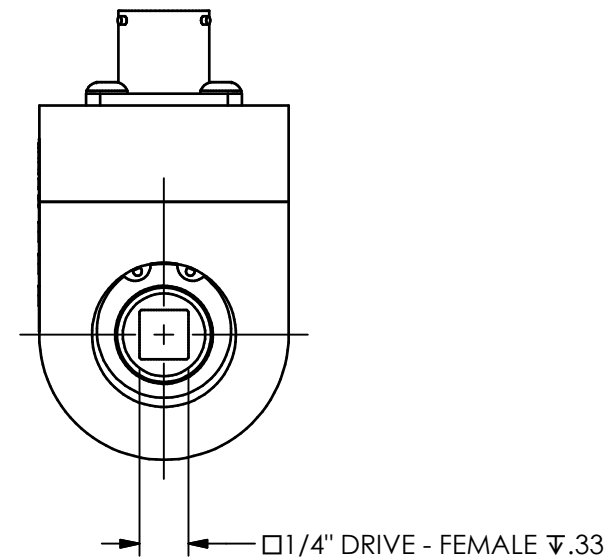
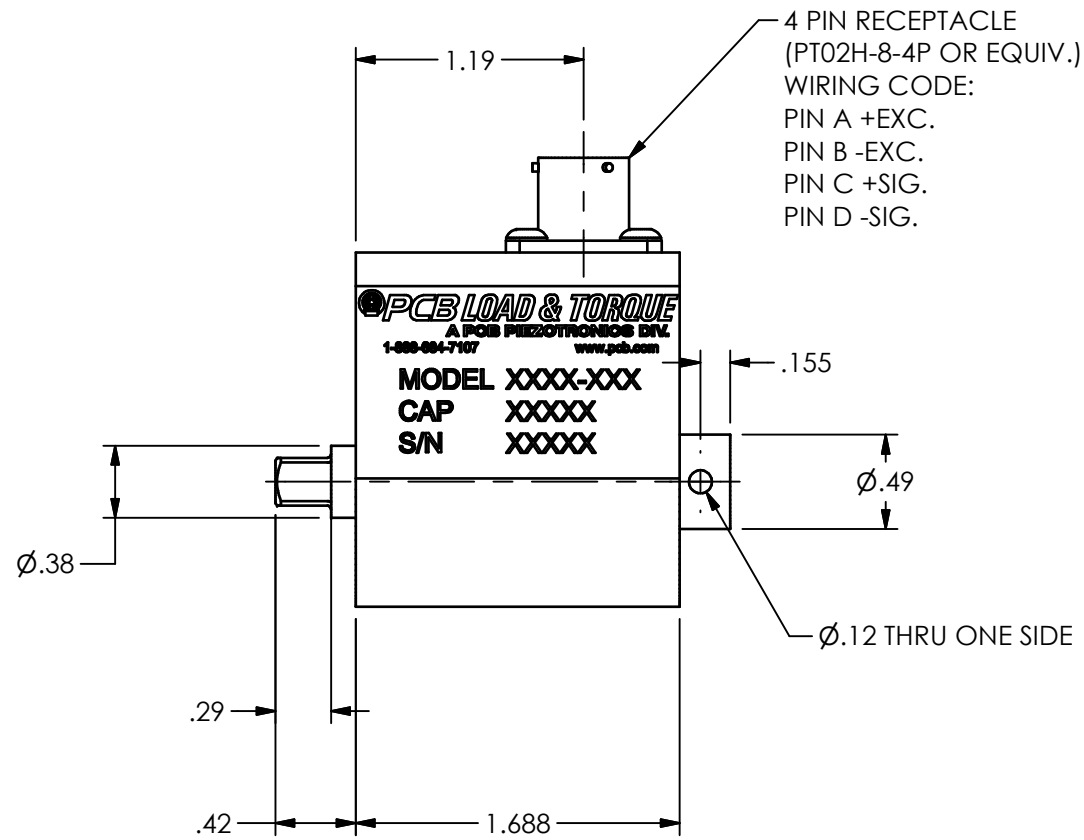
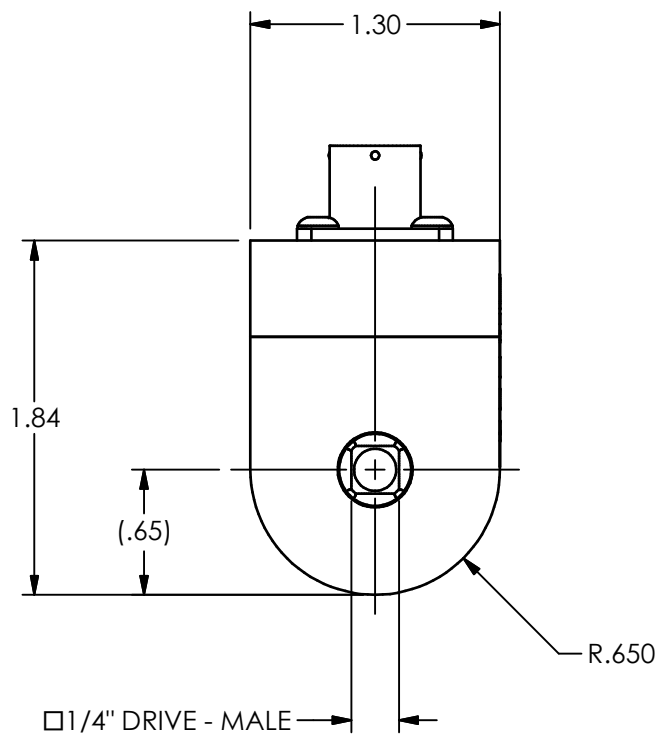
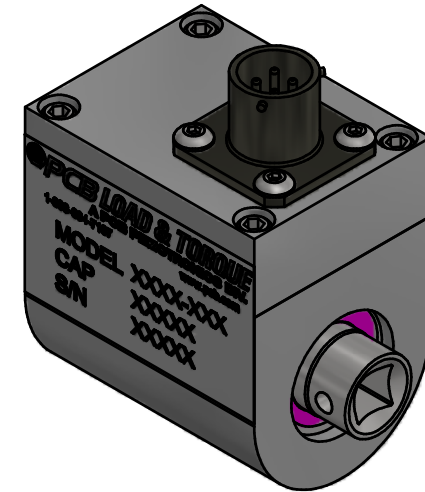
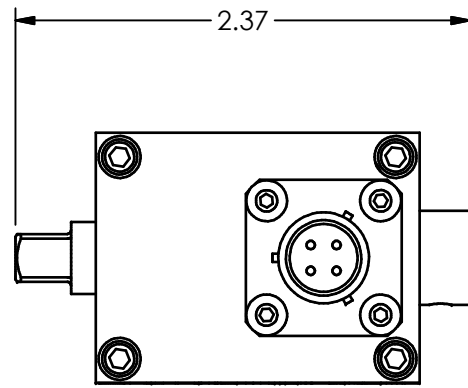


PCB Load & Torque (A Division of PCB Piezotronics, Inc.) claims proprietary rights in the information disclosed hereon. Neither it nor any reproduction thereof will be disclosed to others without the written consent of PCB Load and Torque.

65559

REVISIONS

REV	DESCRIPTION	ECO
NR	RELEASED FOR PRODUCTION - 01.18.17, PTE	46343



4 PIN RECEPTACLE
(PT02H-8-4P OR EQUIV.)
WIRING CODE:
PIN A +EXC.
PIN B -EXC.
PIN C +SIG.
PIN D -SIG.

UNLESS OTHERWISE SPECIFIED TOLERANCES ARE:		DRAWN		CHECKED		ENGINEER		 24350 Indoplex Circle, Farmington Hills, MI 48335 (248) 888-8260 E-MAIL: linfo@pcb.com DWG. NO. 65559 SCALE: FULL SHEET 1 OF 1
DIMENSIONS IN INCHES	DIMENSIONS IN MILLIMETERS [IN BRACKETS]	PTE	09.28.16	DM	01.17.17	PTE	09.28.16	
DECIMALS XX ±.01 XXX ±.005	DECIMALS X ± 0.3 XX ± 0.13	TITLE OUTLINE DRAWING 1/4" SQ SOCKET WRENCH TORQUE 100 LB-IN CAP. (012025-20101)						
ANGLES ± .5 DEGREES	ANGLES ± .5 DEGREES							
FILLETS AND RADII .015 MAX	FILLETS AND RADII 0.38 MAX							