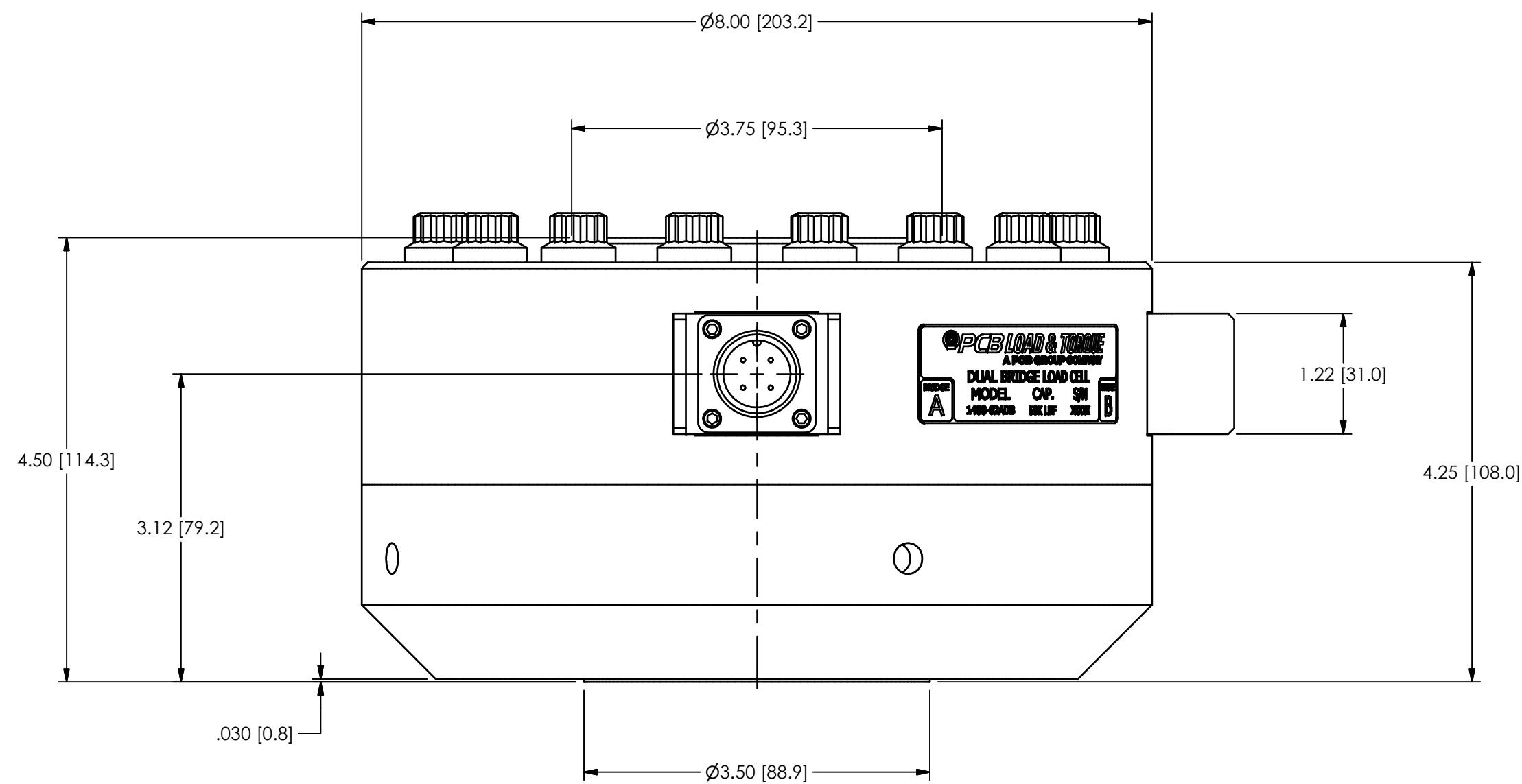
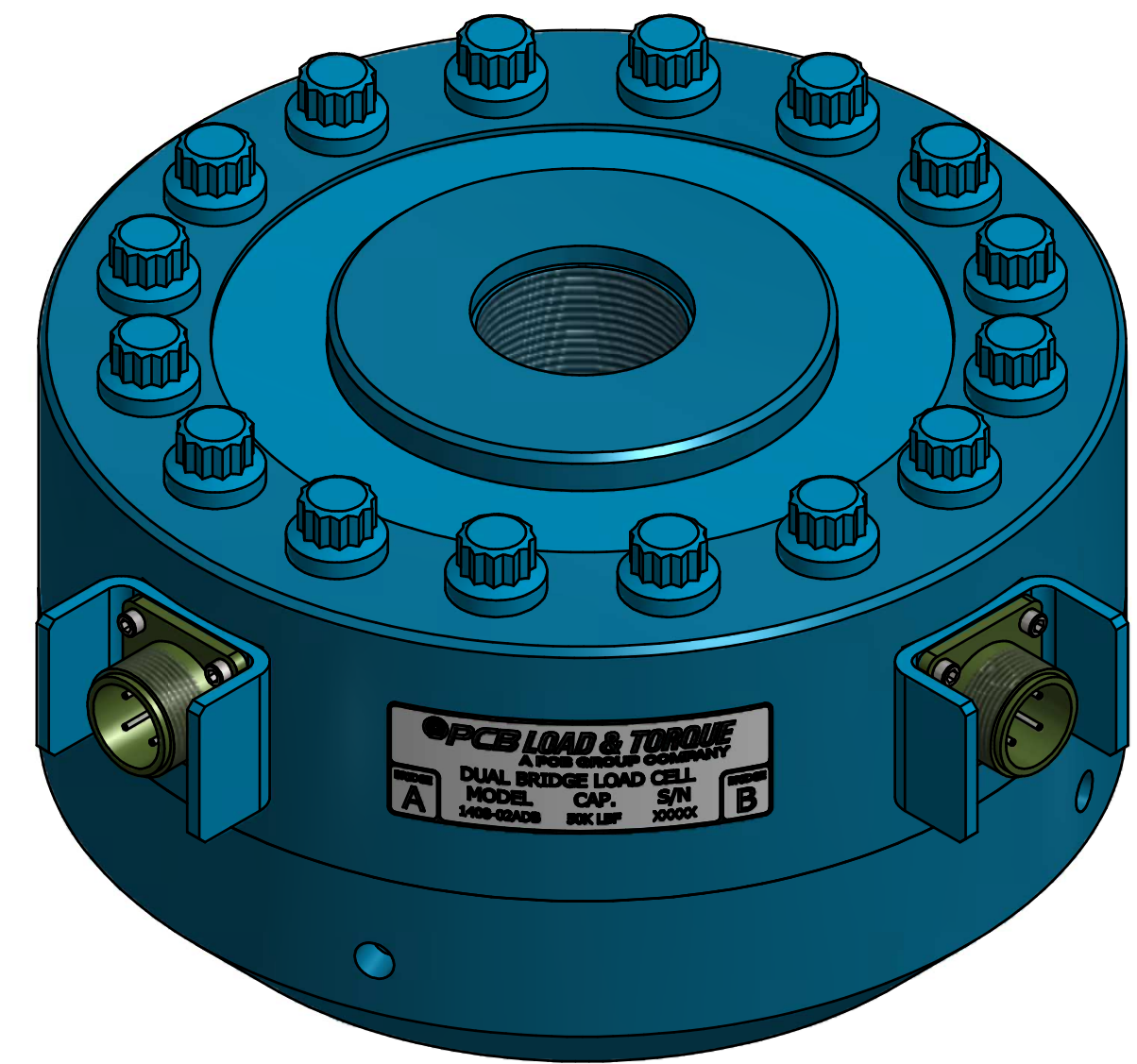
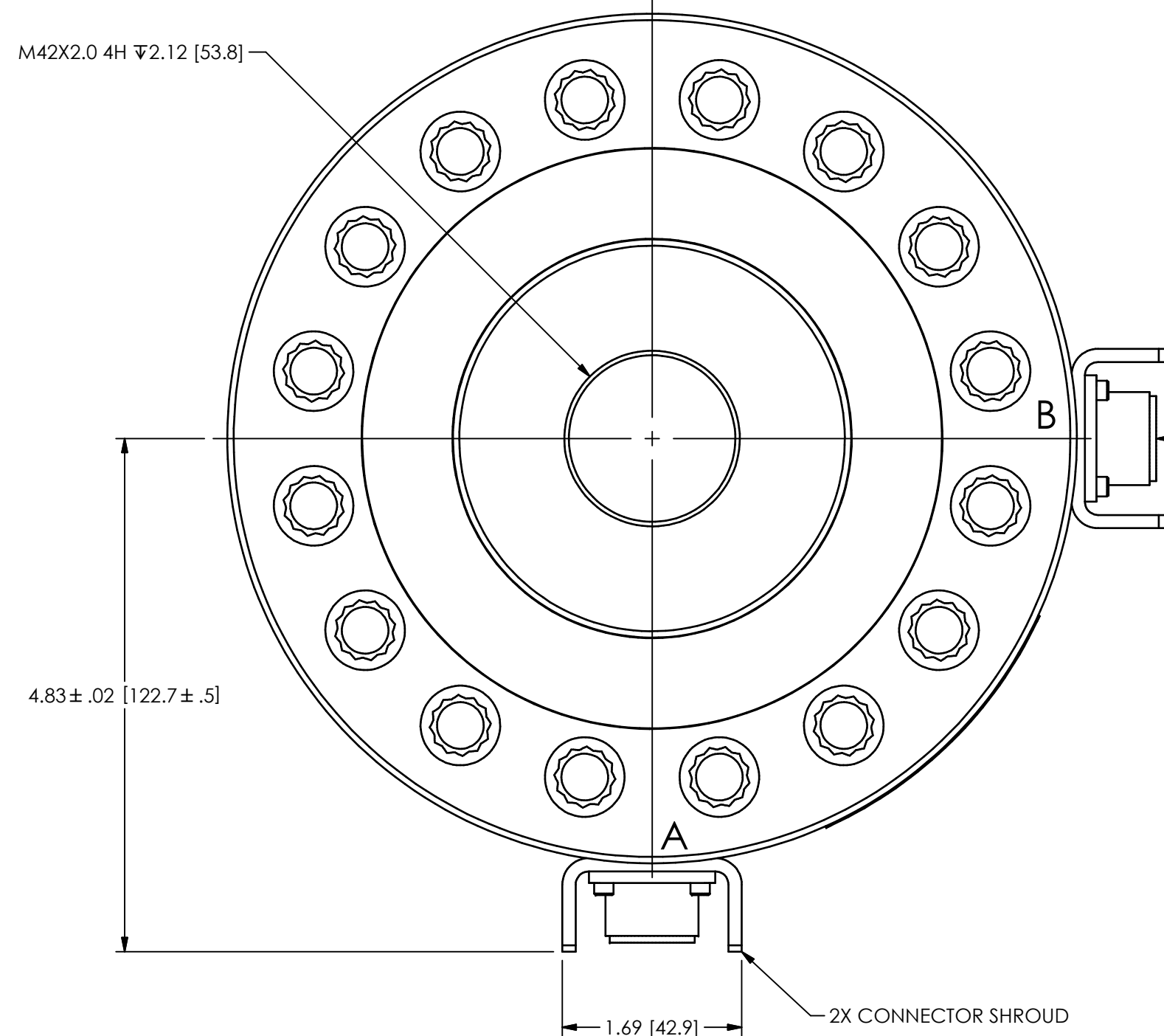


PCB Load & Torque (A Division of PCB Piezotronics, Inc.)  
 claims proprietary rights in the information disclosed herein.  
 Neither it nor any reproduction thereof will be disclosed to  
 others without the written consent of PCB Load and Torque.

REVISIONS		
REV	DESCRIPTION	ECO
A	CORRECTED WIRING CODE - 11.03.15, PTE	44775

60728



UNLESS OTHERWISE SPECIFIED TOLERANCES ARE:		DRAWN	CHECKED	ENGINEER	 <small>24350 Indoplex Circle, Farmington Hills, MI 48335          (248) 888-8260 E-MAIL: <a href="mailto:llmfo@pcb.com">llmfo@pcb.com</a></small>		
DIMENSIONS IN INCHES	DIMENSIONS IN MILLIMETERS [IN BRACKETS]	PTE	01.15.15	JSD		01.16.15	PTE
DECIMALS .XX ±.01 XXX ±.005	DECIMALS X ±0.3 XX ±0.13	TITLE			OUTLINE DRAWING 8" METRIC DB LP LC MS CONNECTOR		
ANGLES ± .5 DEGREES	ANGLES ± .5 DEGREES	DWG. NO. <b>60728</b>			SCALE: 3/4 SHEET 1 OF 1		
FILLETS AND RADII .015 MAX	FILLETS AND RADII 0.38 MAX						