

APPLICATION

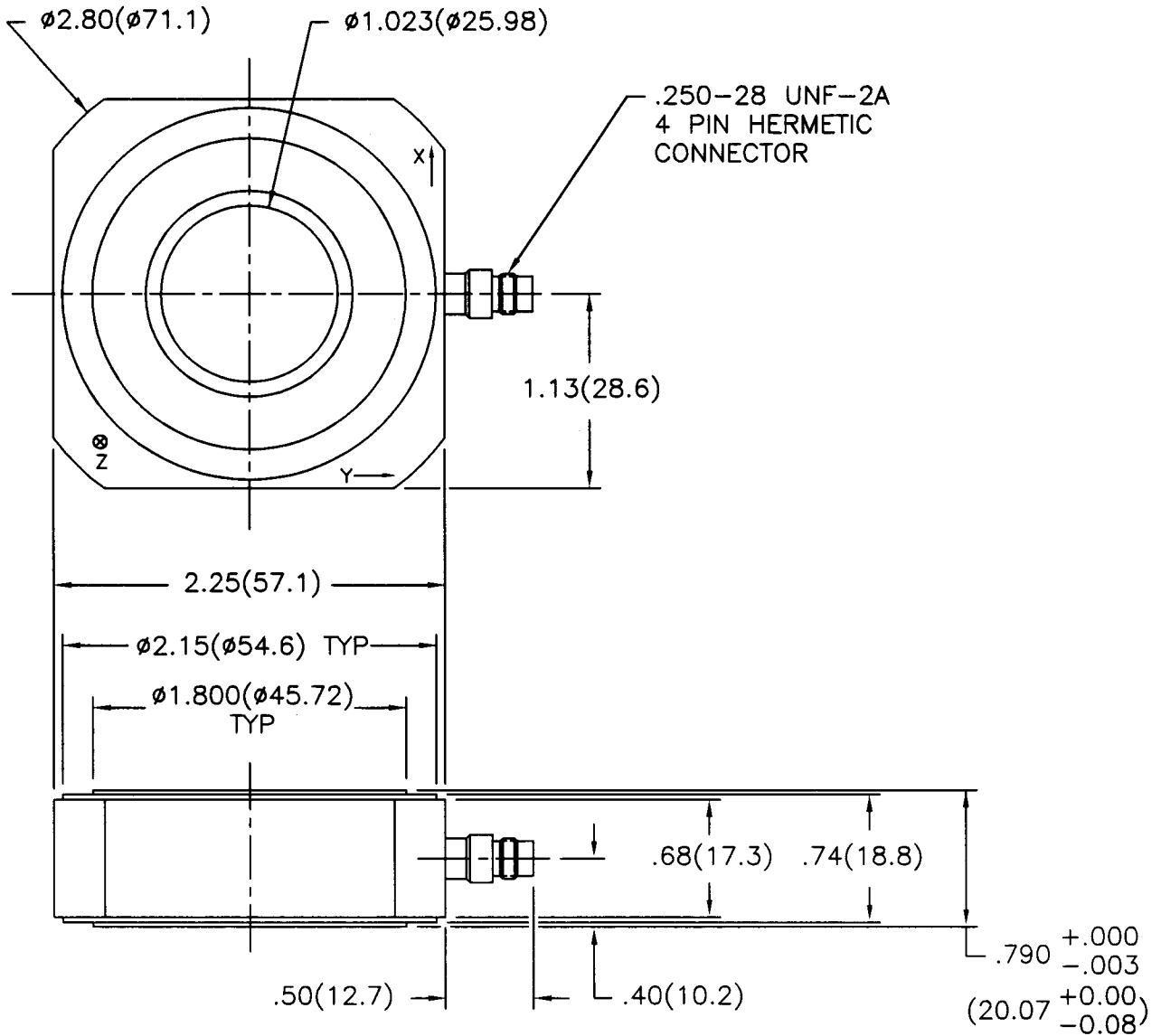
NEXT ASS'Y	USED ON	VAR

REVISIONS

REV	DESCRIPTION	ECN	DATE	APP'D
C	REVISED PER ECN	15072	3/22/02	DM 3/22

11277

PCB Piezotronics Inc. claims proprietary rights in the information disclosed hereon. Neither it nor any reproduction thereof will be disclosed to others without written consent of PCB Piezotronics Inc.



1.) SEE SHEETS 2 AND 3 FOR STANDARD AND METRIC MOUNTING INSTRUCTIONS.

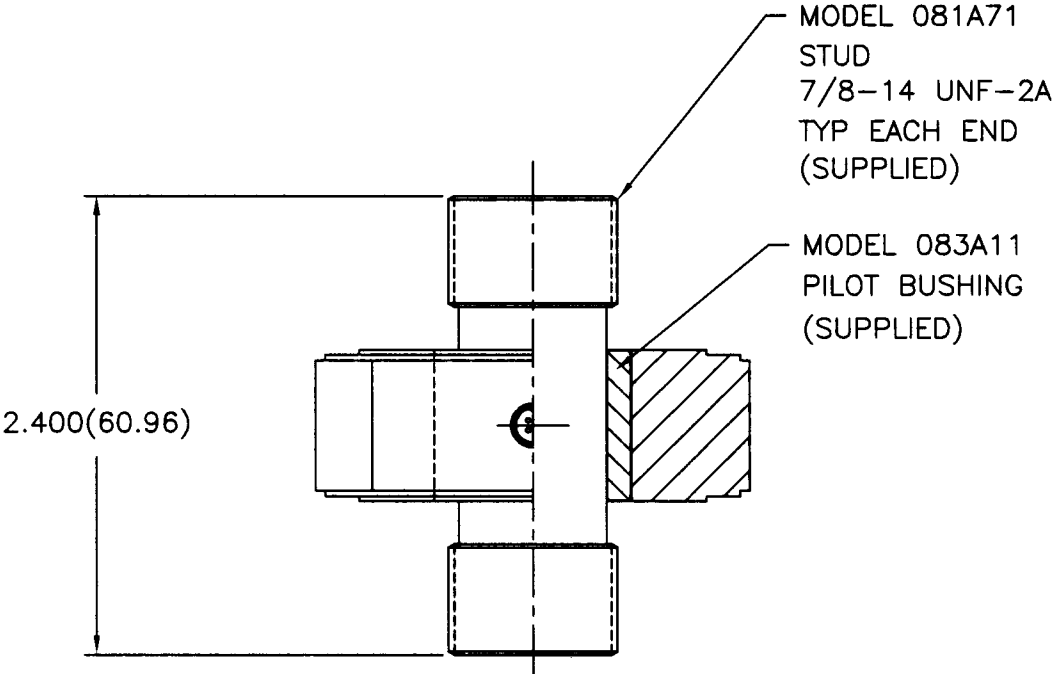
UNLESS SPECIFIED TOLERANCES		DRAWN	JDm	3-25-02	MFG	AS	4/6/02	 3425 WALDEN AVE. DEPEW, NY 14043 (716) 684-0001 EMAIL: SALES@PCB.COM
DIMENSIONS IN INCHES	DIMENSIONS IN MILLIMETERS (IN PARENTHESIS)	CHK'D	DM	3/26/02	ENGR	RAB	3/26/02	
DECIMALS XX ±.01 XXX ±.005 ANGLES ±2 DEGREES	DECIMALS XX ±0.3 XXX ±0.13 ANGLES ±2 DEGREES	APP'D	DM	3/26/02	SALES	JM	3/26/02	
FILLET AND RADII .003 - .005	FILLET AND RADII (0.07 - 0.13)	TITLE						CODE IDENT. NO.
DD011 REV. B 03/13/98		INSTALLATION DRAWING MODEL (M)260A03 ICP TRIAxIAL FORCE SENSOR						DWG. NO. 11277
		SCALE: FULL						SHEET 1 OF 3

11277

PCB Piezotronics Inc. claims proprietary rights in the information disclosed hereon. Neither it nor any reproduction thereof will be disclosed to others without written consent of PCB Piezotronics Inc.

APPLICATION		
NEXT ASS'Y	USED ON	VAR

REVISIONS				
REV	DESCRIPTION	ECN	DATE	APP'D
	-SEE SHEET ONE-			



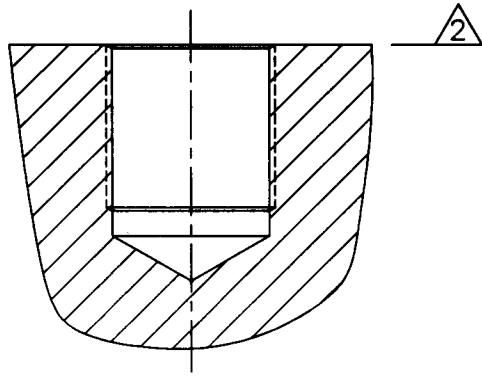
MODEL 081A71
STUD
7/8-14 UNF-2A
TYP EACH END
(SUPPLIED)

MODEL 083A11
PILOT BUSHING
(SUPPLIED)

TYP STUD MOUNTING
INSTALLATION

MOUNTING HOLE PREPARATION:

- Ø.812(Ø20.62) $\triangle 3$
- X 1.000(25.40) ∇
- TAP 7/8-14 UNF-2B
- X .850(21.59) ∇
- PERFECT THREAD



- 4.) SEE MANUAL FOR PRELOAD INSTRUCTIONS.
- $\triangle 3$ DRILL PERPENDICULAR TO MOUNTING SURFACE TO WITHIN $\pm 1^\circ$.
- $\triangle 2$ MOUNTING SURFACE UNDER FORCE RING MUST BE FLAT WITHIN .001(0.03) TIR WITH A 32/ (0.8/) FINISH.

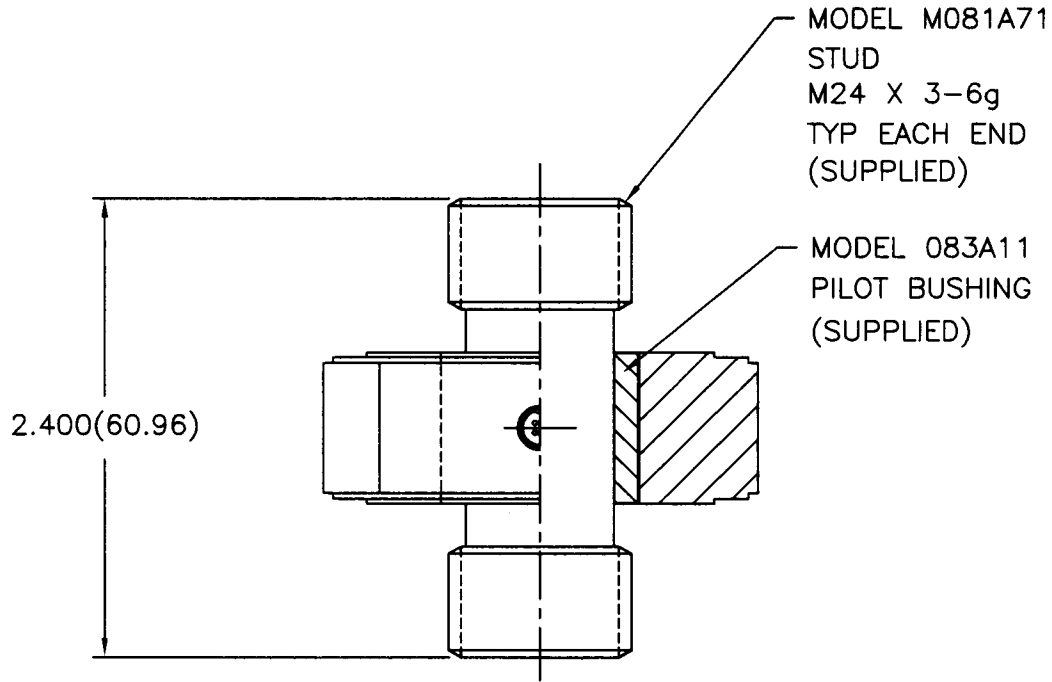
UNLESS SPECIFIED TOLERANCES		DRAWN	JDM	3-25-02	MFG	MBS	3/26/02	 3425 WALDEN AVE. DEPEW, NY 14043 (716) 684-0001 EMAIL: SALES@PCB.COM
DIMENSIONS IN INCHES	DIMENSIONS IN MILLIMETERS (IN PARENTHESIS)	CHK'D	DM	3/26/02	ENGR	ZAB	3/26/02	
DECIMALS XX ± 0.1 XXX ± 0.05	DECIMALS XX ± 0.3 XXX ± 0.13	APP'D	mgk	3/26/02	SALES	ggm	3/26/02	
ANGLES ± 2 DEGREES	ANGLES ± 2 DEGREES	TITLE						CODE
FILLET AND RADII .003 - .005	FILLET AND RADII (0.07 - 0.13)	INSTALLATION DRAWING MODEL 260A03 ICP TRIAxIAL FORCE SENSOR						DWG. NO.
DD011 REV. B 03/13/98								11277
							SCALE: FULL	SHEET 2 OF 3

APPLICATION		
NEXT ASS'Y	USED ON	VAR

REVISIONS				
REV	DESCRIPTION	ECN	DATE	APP'D
	-SEE SHEET ONE-			

11277

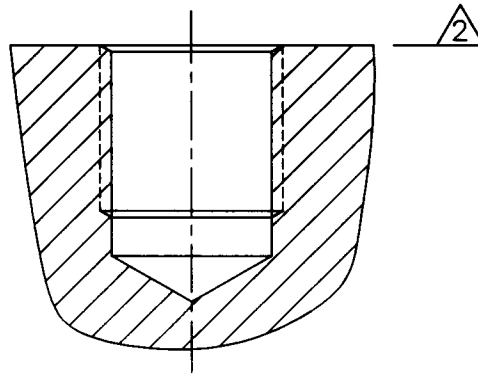
PCB Piezotronics Inc. claims proprietary rights in the information disclosed hereon. Neither it, nor any reproduction thereof will be disclosed to others without written consent of PCB Piezotronics Inc.



TYP STUD MOUNTING
INSTALLATION

MOUNTING HOLE PREPARATION:

- Ø.827(Ø21.00)
- X 1.102(28.00) ▽ ³
- TAP M24 X 3-6H
- X .866(22.00) ▽
- PERFECT THREAD



- 4.) SEE MANUAL FOR PRELOAD INSTRUCTIONS.
- ³ DRILL PERPENDICULAR TO MOUNTING SURFACE TO WITHIN ±1°.
- ² MOUNTING SURFACE UNDER FORCE RING MUST BE FLAT WITHIN .001(0.03) TIR WITH A 32/ (0.8/) FINISH.

UNLESS SPECIFIED TOLERANCES		DRAWN	Jdm	3-25-02	MFG	JBS	4/6/02	 3425 WALDEN AVE. DEPEW, NY 14043 (716) 684-0001 EMAIL: SALES@PCB.COM
DIMENSIONS IN INCHES	DIMENSIONS IN MILLIMETERS (IN PARENTHESIS)	CHK'D	esm	3/26/02	ENGR	ANB	3/26/02	
DECIMALS XX ±.01 XXX ±.005 ANGLES ±2 DEGREES	DECIMALS XX ±0.3 XXX ±0.13 ANGLES ±2 DEGREES	APP'D	myk	3/26/02	SALES	Jgm	3/26/02	
FILLETTS AND RADII .003 - .005	FILLETTS AND RADII (0.07 - 0.13)	TITLE						CODE IDENT. NO. 52681 DWG. NO. 11277
DD011 REV. B 03/13/98	INSTALLATION DRAWING MODEL M260A03 ICP TRIAxIAL FORCE SENSOR						SCALE: FULL	SHEET 3 OF 3