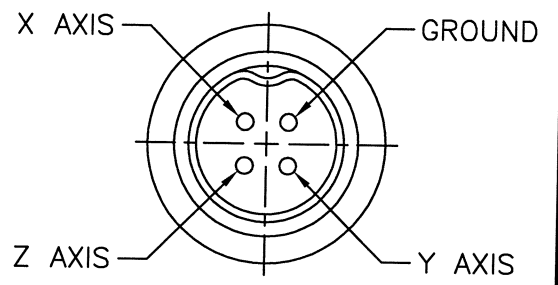
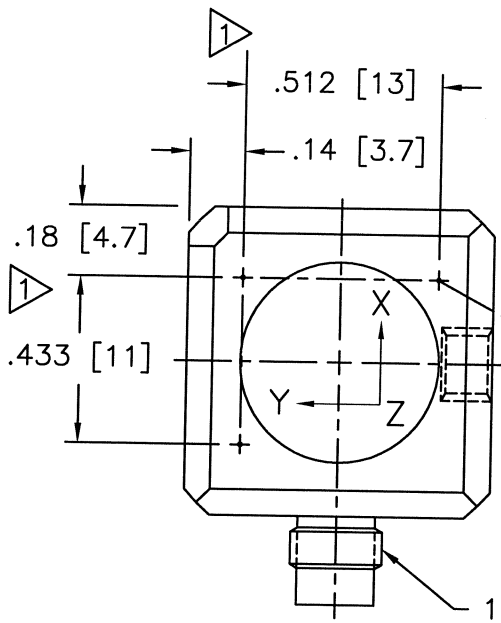


9139

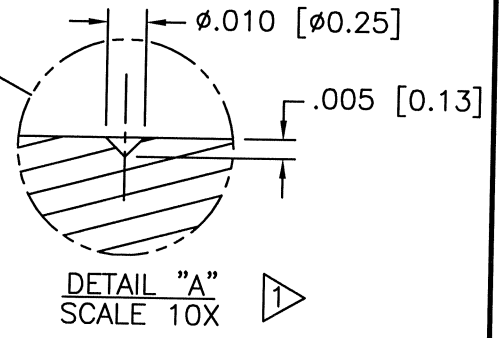
PCB Piezotronics Inc. claims proprietary rights in the information disclosed hereon. Neither it nor any reproduction thereof will be disclosed to others without written consent of PCB Piezotronics Inc.

APPLICATION		
NEXT ASS'Y	USED ON	VAR
	356B07	

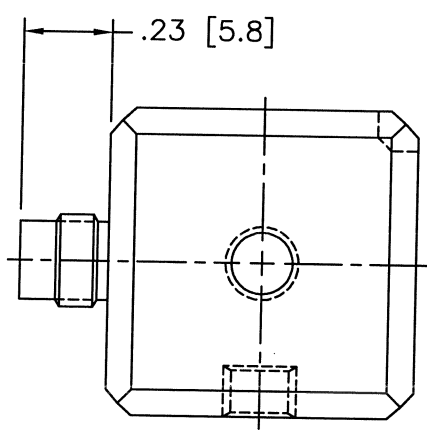
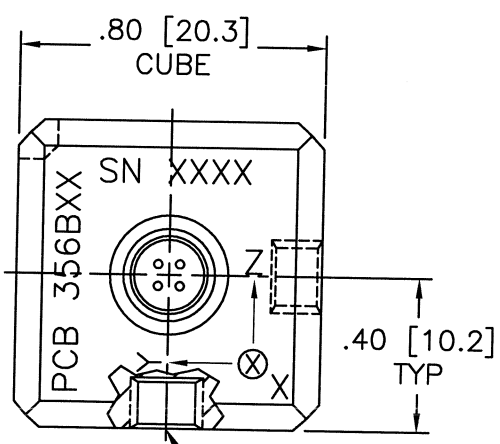
REVISIONS				
REV	DESCRIPTION	ECN	DATE	APP'D
C	UPDATED TO GENERAL OUTLINE	19289	2/18/04	DM2/04
D	REVISED PER ECN	22903	9/29/05	ECB 9/28



CONNECTOR PIN DESIGNATION
(SCALE: 4X)



DETAIL "A"
SCALE 10X



1 TEDS OPTION ONLY

UNLESS SPECIFIED TOLERANCES		DRAWN <i>[Signature]</i>		MFG <i>[Signature]</i>		 3425 WALDEN AVE. DEPEW, NY 14043 (716) 684-0001 EMAIL: SALES@PCB.COM	
DIMENSIONS IN INCHES	DIMENSIONS IN MILLIMETERS [IN BRACKETS]	CHK'D <i>[Signature]</i>	9/29/05	ENGR <i>[Signature]</i>	10/10/05		
DECIMALS XX ±.01	DECIMALS X ±0.3	APP'D <i>[Signature]</i>	10/10/05	SALES <i>[Signature]</i>	10/10/05	DWG. NO. 9139	
XXX ±.005	XX ±0.13	TITLE OUTLINE DRAWING				SCALE: 2X	
ANGLES ±2 DEGREES	ANGLES ±2 DEGREES	.8in AL CUBE W/ 1/4-28 4-PIN CONNECTOR				SHEET 1 OF 1	
FILLET AND RADII .003 - .005	FILLET AND RADII [0.07 - 0.13]	TRIAxIAL ACCELEROMETER					
DD011 REV. C 01/21/03							