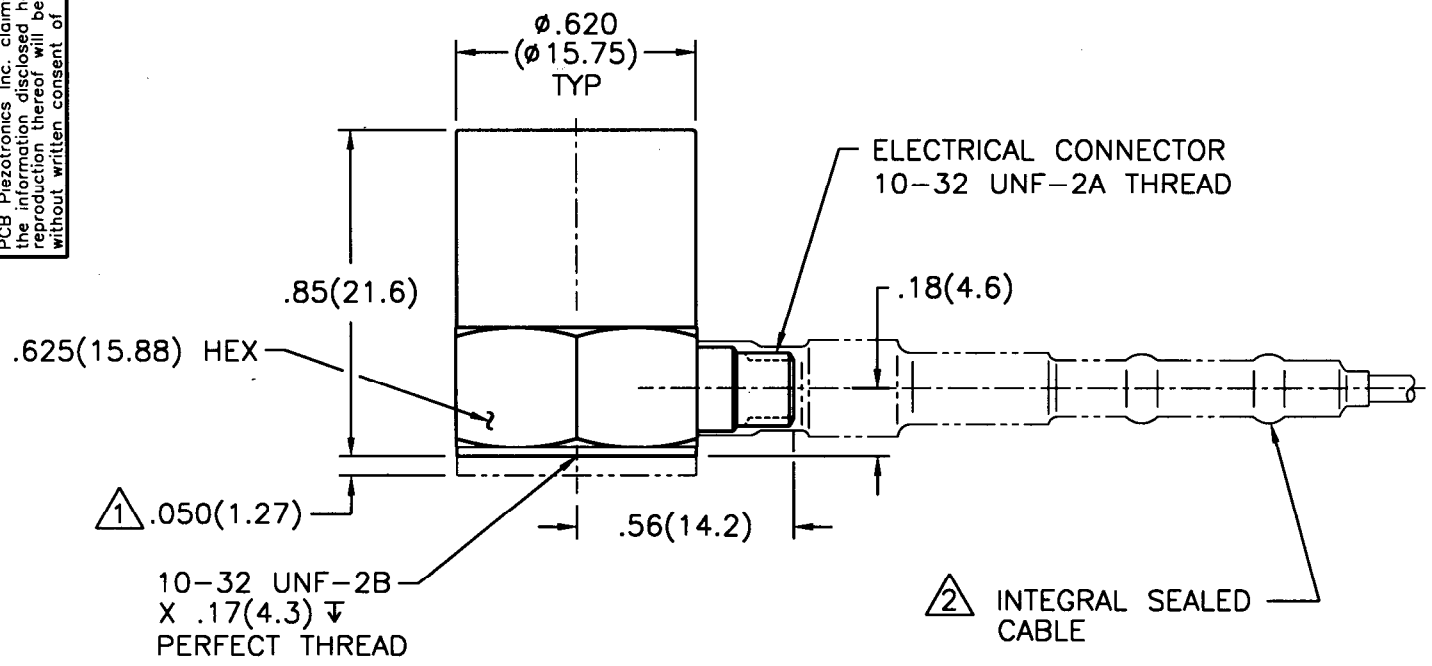


357-2210-95

PCB Piezotronics Inc. claims proprietary rights in the information disclosed herein. Neither it nor any reproduction thereof will be disclosed to others without written consent of PCB Piezotronics Inc.

| APPLICATION |         |     |
|-------------|---------|-----|
| NEXT ASS'Y  | USED ON | VAR |
|             |         |     |

| REVISIONS |                 |      |        |         |
|-----------|-----------------|------|--------|---------|
| REV       | DESCRIPTION     | ECN  | DATE   | APP'D   |
| A         | REVISED PER ECN | 6602 | 4/2/96 | DM 4/96 |



- ② ADD CABLE FOR TRANSDUCER WITH WATER RESISTANT OPTION.
- ① ADD DIMENSION FOR TRANSDUCER WITH GROUND ISOLATED OPTION.

| UNLESS SPECIFIED TOLERANCES   |  | DRAWN           |        | MFG  |     | PCB             | PIEZOTRONICS, INC. |
|-------------------------------|--|-----------------|--------|------|-----|-----------------|--------------------|
| DIMENSIONS IN INCHES          | DIMENSIONS IN MILLIMETERS (IN PARENTHESIS) | DMB             | 4/2/96 |      |     |                 |                    |
| DECIMALS XX ± .01             | DECIMALS XX ± 0.3                          | CHK'D           | DM     | ENGR | CMH |                 |                    |
| XXX ± .005                    | XXX ± 0.13                                 | APP'D           | RJV    |      | RMC | CODE IDENT. NO. | DWG. NO.           |
| ANGLES ± 2 DEGREES            | ANGLES ± 2 DEGREES                         | TITLE           |        |      |     | 52681           | 357-2210-95        |
| FILLETS AND RADII .003 - .005 | FILLETS AND RADII (0.07 - 0.13)            | OUTLINE DRAWING |        |      |     | SCALE: 2X       |                    |
| DD011 REV. A 05/26/95         |  | 357B21 SERIES   |        |      |     | SHEET 1 OF 1    |                    |
|                               |  | ACCELEROMETER   |        |      |     |                 |                    |