



Model EX686B71D

Intrinsically-safe, USB-programmable electronic vibration switch with terminal block, conduit elbow and ATEX d approval

Installation and Operating Manual

**For assistance with the operation of this product,
contact the PCB Piezotronics, Inc.**

Toll-free: 800-959-4464

24-hour SensorLine: 716-684-0001

Fax: 716-684-3823

E-mail: imi@pcb.com

Web: www.imi-sensors.com



Repair and Maintenance

PCB guarantees Total Customer Satisfaction through its “Lifetime Warranty Plus” on all Platinum Stock Products sold by PCB and through its limited warranties on all other PCB Stock, Standard and Special products. Due to the sophisticated nature of our sensors and associated instrumentation, **field servicing and repair is not recommended and, if attempted, will void the factory warranty.**

Beyond routine calibration and battery replacements where applicable, our products require no user maintenance. Clean electrical connectors, housings, and mounting surfaces with solutions and techniques that will not harm the material of construction. Observe caution when using liquids near devices that are not hermetically sealed. Such devices should only be wiped with a dampened cloth—never saturated or submerged.

In the event that equipment becomes damaged or ceases to operate, our Application Engineers are here to support your troubleshooting efforts 24 hours a day, 7 days a week. Call or email with model and serial number as well as a brief description of the problem.

Calibration

Routine calibration of sensors and associated instrumentation is necessary to maintain measurement accuracy. We recommend calibrating on an annual basis, after exposure to any extreme environmental influence, or prior to any critical test.

PCB Piezotronics is an ISO-9001 certified company whose calibration services are accredited by A2LA to ISO/IEC 17025, with full traceability to SI through N.I.S.T. In addition to our standard calibration services, we also offer specialized tests, including: sensitivity at elevated or cryogenic temperatures, phase response, extended high or low frequency response, extended range, leak testing, hydrostatic pressure testing, and others. For more information, contact your local PCB Piezotronics distributor, sales representative, or factory customer service representative.

Returning Equipment

If factory repair is required, our representatives will provide you with a Return Material Authorization (RMA) number, which we use to reference any information you have already provided and expedite the repair process. This number should be clearly marked on the outside of all returned package(s) and on any packing list(s) accompanying the shipment.

Contact Information

PCB Piezotronics, Inc.
3425 Walden Ave.
Depew, NY14043 USA
Toll-free: (800) 828-8840
24-hour SensorLine: (716) 684-0001
General inquiries: info@pcb.com
Repair inquiries: rma@pcb.com

For a complete list of distributors, global offices and sales representatives, visit our website, www.pcb.com.

Safety Considerations

This product is intended for use by qualified personnel who recognize shock hazards and are familiar with the precautions required to avoid injury. While our equipment is designed with user safety in mind, the protection provided by the equipment may be impaired if equipment is used in a manner not specified by this manual.

Discontinue use and contact our 24-Hour Sensorline if:

- Assistance is needed to safely operate equipment
- Damage is visible or suspected
- Equipment fails or malfunctions

For complete equipment ratings, refer to the enclosed specification sheet for your product.

Definition of Terms and Symbols

The following symbols may be used in this manual:



DANGER

Indicates an immediate hazardous situation, which, if not avoided, may result in death or serious injury.

**CAUTION**

Refers to hazards that could damage the instrument.

**NOTE**

Indicates tips, recommendations and important information. The notes simplify processes and contain additional information on particular operating steps.

The following symbols may be found on the equipment described in this manual:



This symbol on the unit indicates that high voltage may be present. Use standard safety precautions to avoid personal contact with this voltage.



This symbol on the unit indicates that the user should refer to the operating instructions located in the manual.



This symbol indicates safety, earth ground.



PCB工业监视和测量设备 - 中国RoHS2公布表

PCB Industrial Monitoring and Measuring Equipment - China RoHS 2 Disclosure Table

部件名称	有害物质					
	铅 (Pb)	汞 (Hg)	镉 (Cd)	六价铬 (Cr(VI))	多溴联苯 (PBB)	多溴二苯醚 (PBDE)
住房	0	0	0	0	0	0
PCB板	X	0	0	0	0	0
电气连接器	0	0	0	0	0	0
压电晶体	X	0	0	0	0	0
环氧	0	0	0	0	0	0
铁氟龙	0	0	0	0	0	0
电子	0	0	0	0	0	0
厚膜基板	0	0	X	0	0	0
电线	0	0	0	0	0	0
电缆	X	0	0	0	0	0
塑料	0	0	0	0	0	0
焊接	X	0	0	0	0	0
铜合金/黄铜	X	0	0	0	0	0
本表格依据 SJ/T 11364 的规定编制。						
0：表示该有害物质在该部件所有均质材料中的含量均在 GB/T 26572 规定的限量要求以下。						
X：表示该有害物质至少在该部件的某一均质材料中的含量超出 GB/T 26572 规定的限量要求。						
铅是欧洲RoHS指令2011/65/ EU附件三和附件四目前由于允许的豁免。						

CHINA RoHS COMPLIANCE

Component Name	Hazardous Substances					
	Lead (Pb)	Mercury (Hg)	Cadmium (Cd)	Chromium VI Compounds (Cr(VI))	Polybrominated Biphenyls (PBB)	Polybrominated Diphenyl Ethers (PBDE)
Housing	O	O	O	O	O	O
PCB Board	X	O	O	O	O	O
Electrical Connectors	O	O	O	O	O	O
Piezoelectric Crystals	X	O	O	O	O	O
Epoxy	O	O	O	O	O	O
Teflon	O	O	O	O	O	O
Electronics	O	O	O	O	O	O
Thick Film Substrate	O	O	X	O	O	O
Wires	O	O	O	O	O	O
Cables	X	O	O	O	O	O
Plastic	O	O	O	O	O	O
Solder	X	O	O	O	O	O
Copper Alloy/Brass	X	O	O	O	O	O

This table is prepared in accordance with the provisions of SJ/T 11364.

O: Indicates that said hazardous substance contained in all of the homogeneous materials for this part is below the limit requirement of GB/T 26572.

X: Indicates that said hazardous substance contained in at least one of the homogeneous materials for this part is above the limit requirement of GB/T 26572.

Lead is present due to allowed exemption in Annex III or Annex IV of the European RoHS Directive 2011/65/EU.



Operating Guide with Enclosed Warranty Information

3425 Walden Avenue, Depew, New York 14043-2495

Phone (716) 684-0003

Fax (716) 684-3823

Toll Free Line 1-800-959-4IMI

MANUAL NUMBER: 40112

MANUAL REVISION: **G**

ECO: **49766**

Table of Contents

Introduction	Page 3
General Features	
Operating Principles	Page 4
Benefits of Solid State Relays	
Installation.....	Page 5
Direct Adhesive Mount	
Standard Stud Mount	
Adhesive Stud Mount	
Magnetic Mount	
Wiring.....	Page 9
Legend	
Indicating a High Level of Vibration in a Motor	
Indicating High Levels of Vibration Simultaneously in Series (Such as Fan & Motor)	
Constant Siren Alarming in the Event of High Vibration Levels	
Two Switches in Parallel to Monitor Two Axes Simultaneously on Same Motor	
Three Switches in Parallel to Monitor Three Motors Simultaneously	
Automatic Machinery Shutdown Using an External Electromechanical Relay	
Automatic Machinery Shutdown Using External Electromechanical Relay While Monitoring 2 Axes	
Switch and External Latching for Automatic Machinery Shutdown	
Both Alarm Siren and Automatic Machinery Shutdown Using Two Switches	
Automatic Machinery Shutdown Based on Normally Open Solid State Relay	
Automatic Machinery Shutdown of a Three Phase Electrical Motor Based on a N.O. Solid-State Relay	
Programming Software	Page 21
Program Installation	
Running the Software	
Programming Sections	
Reading and Writing Parameters	
Parameter Options	
Execution of Delays	
Magnetically Adjustable Vibration Threshold (MAVT™)	Page 29
MAVT™ Procedure	
Factory-Programmed Ordering Guide	Page 30
Battery-Powered Signal Conditioner	Page 31
Calibration Cable	Page 31
Magnet Clip.....	Page 31
Cable Ordering Information	Page 32
ESD Sensitivity	Page 33
Warranty, Service & Return Procedure	Page 34
Customer Service	Page 34

Introduction

The 686-Series Smart Vibration Switch is a low-cost electronic vibration switch designed to monitor vibration levels on rotating machinery (ie. fans and cooling towers) and trip an alarm or shut down machinery when a specified vibration limit is exceeded. An onboard accelerometer with precision, microprocessor-controlled electronics ensures reliable operation and accuracy. The switch contains a two-pin MIL connector for easy drop-in replacement of mechanical vibration switches and a reliable solid state relay. Multiple units can be installed in a loop configuration for economical installation and expanded protection of critical machinery. This versatile switch can be used to replace more expensive electronic vibration switches where separate vibration output is not required and to replace troublesome mechanical vibration switches.

Every Smart Switch is factory-programmed. See Page 28 for more information.

General Features

- Fully USB-programmable from any PC (with optional USB Programmer Kit).
- Hermetically-sealed, stainless steel housing for use in corrosive environments.
- Imbedded piezoelectric accelerometer for improved accuracy and frequency response.
- Small footprint and single ¼-28 stud mounting.
- Solid state (AC/DC) relay.
- Universal AC or DC power.
- Magnetically Adjustable Vibration Threshold (MAVT™).
- Connects with industry standard MIL-C-5015 connector or integral cable.
- Programmable features
 - Alarm threshold level
 - Normally Open (NO) or Normally Closed (NC) relay
 - Latching or non-latching relay
 - Delays
 - Power on
 - Startup
 - Operational
 - Residual vibration level
- Intrinsically-safe versions available (EX prefix)
 - CSA

Operating Principles

The Smart Switch operates over just two wires. It installs in series with any load (ie. annunciator, PLC or relay coil). To energize itself, the vibration switch scavenges power from the load's power source. When the alarm threshold is exceeded, the switch is activated and the load's power circuit is completed to facilitate the desired alarm or shutdown.

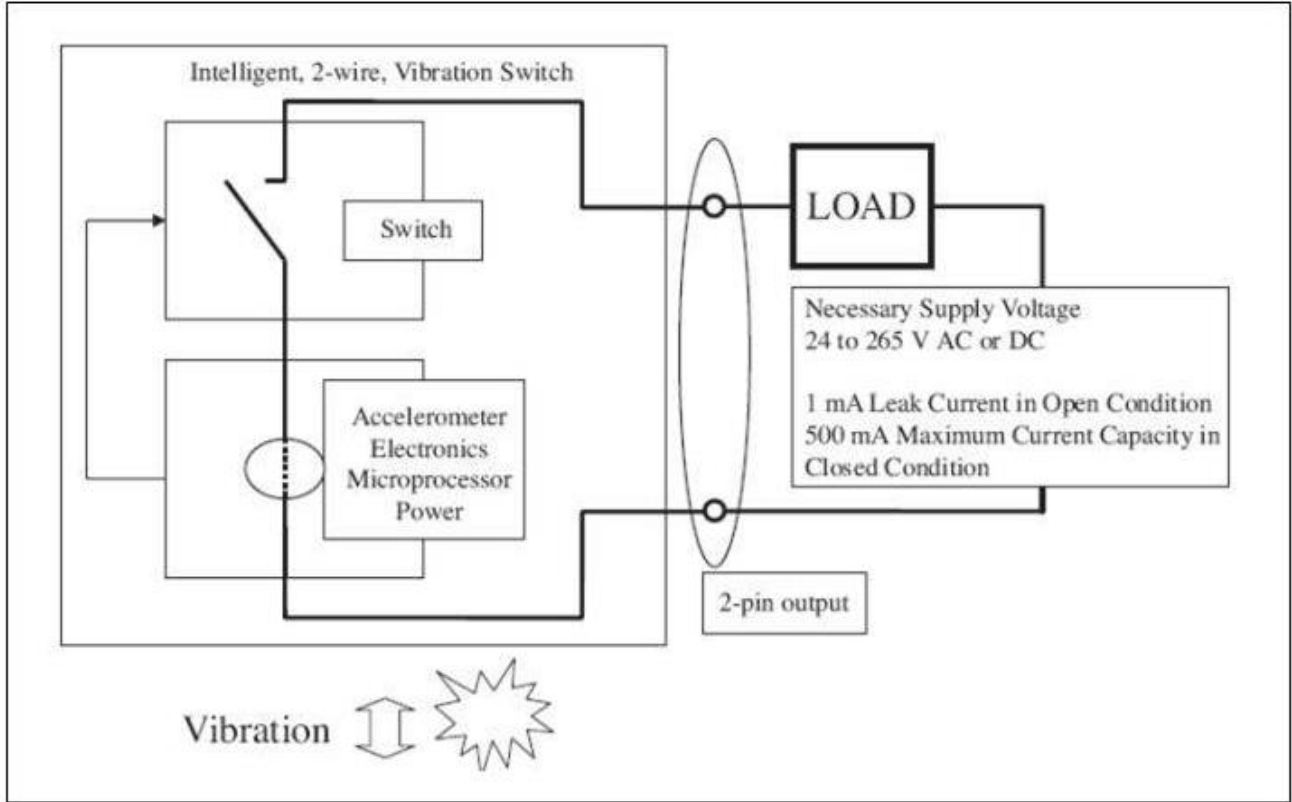


Figure 1 – Block Diagram

Benefits of Solid State Relays

A solid state relay is an electronic component that functions in the same way as an electromechanical relay, but without any moving parts. A solid state relay offers the most reliable switch action, especially for vibration applications where moving relay components run a greater risk of malfunction. They are purely electronic devices composed of a low current control side and a high current load side for switching action.

Installation

When choosing a mounting method, consider closely the advantages and disadvantages of each technique. Typical mounting types are stud, direct adhesive, adhesive mounting base and magnetic mounting base.

Note: For a complete list of product specifications, see the “Specification Sheet” and “Outline Drawing” at the end of this Manual.

Direct Adhesive Mount Procedure

For restrictions of space or for convenience, most sensors (with the exception of integral stud models) can be adhesive-mounted directly to the machine surface.

- Step 1: Prepare a smooth, flat mounting surface. A minimum surface finish of 63 μin (0.0016 mm) generally works best.
- Step 2: Place a small portion of adhesive on the underside of the sensor. Firmly press down on the top of the assembly to displace any adhesive. Be aware that excessive amounts of adhesive can make sensor removal difficult.

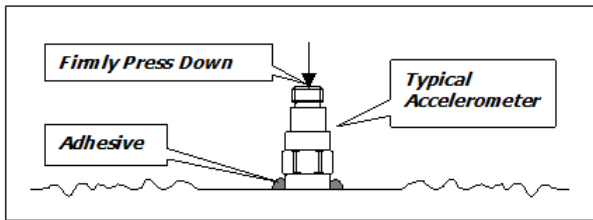


Figure 2 – Direct Adhesive Mounting

Standard Stud Mount Procedure

This mounting technique requires smooth, flat contact surfaces for proper operation and is recommended for permanent and/or secure installations. Stud mounting is also recommended when testing at high frequencies.

Note: Do not attempt mounting on curved, rough or uneven surfaces, as the potential for misalignment and limited contact surface may significantly reduce the sensor's upper operating frequency range.

	¼-28 Stud	¼-28 Captive Screw
A (in)	0.250	0.250
B (in)	0.350	0.350
Torque (ft-lb)	2 to 5	2 to 5

- Step 1: First, prepare a smooth, flat mounting surface and then drill and tap a mounting hole in the center of this area. A precision-machined mounting surface with a minimum finish of 63 µin (0.0016 mm) is recommended. (If it is not possible to properly prepare the machine surface, consider using an adhesive mounting pad as a possible alternative.) Inspect the area, checking that there are no burrs or other foreign particles interfering with the contact surface.
- Step 2: Wipe clean the mounting surface and spread on a light film of grease, oil or similar coupling fluid prior to installation. Adding a coupling fluid improves vibration transmissibility by filling small voids in the mounting surface and increasing the mounting stiffness. For semi-permanent mounting, substitute epoxy or another type of adhesive.
- Step 3: Hand-tighten the sensor/mounting stud to the machine, and then secure the sensor with a torque wrench to the mounting surface by applying the recommended mounting torque (see enclosed specification data sheet for proper mounting torque). It is important to use a torque wrench during this step. Under-torquing the sensor may not adequately couple the device; over-torquing may result in stud failure and possibly permanent damage.

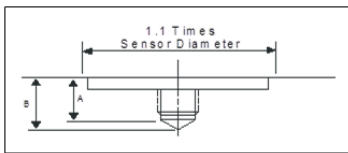


Figure 3 – Mounting Surface Preparation

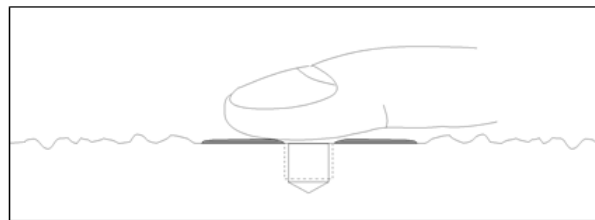


Figure 4 – Mounting Surface Lubrication

Adhesive Stud Mount Procedure

Adhesive mounting is often used for temporary installation or when the machine surface cannot be adequately prepared for stud mounting. Adhesives like hot glue or wax work well for temporary mounts; two-part epoxies and quick-bonding gels provide a more permanent mount.

Note: Adhesively mounted sensors often exhibit a reduction in high-frequency range. Generally, smooth surfaces and stiff adhesives provide the best frequency response. Contact the factory for recommended epoxies.

This method involves attaching a base to the machine surface, then securing the sensor to the base. This allows for easy removal of the accelerometer.

- Step 1: Prepare a smooth, flat mounting surface. A minimum surface finish of 63 μin (0.0016 mm) generally works best.
- Step 2: Stud-mount the sensor to the appropriate adhesive mounting base according to the guidelines set forth in Steps 2 and 3 of the Standard Stud Mount Procedure.
- Step 3: Place a small portion of adhesive on the underside of the mounting base. Firmly press down on the assembly to displace any extra adhesive remaining under the base.

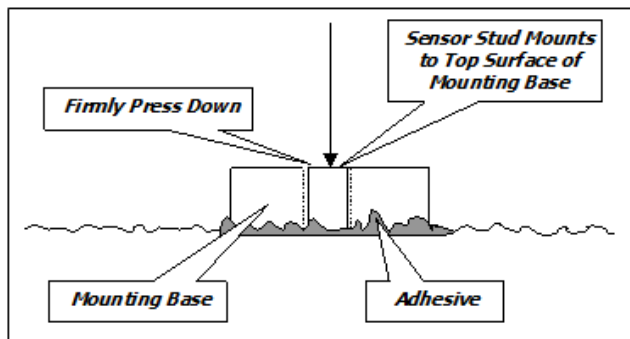


Figure 5 – Adhesive Installation of Mounting Base

Magnetic Mount Procedure

Magnetic mounting provides a convenient means for making portable measurements and is commonly used for machinery monitoring and other portable or trending applications.

Note: The correct magnet choice and an adequately prepared mounting surface are critical for obtaining reliable measurements, especially at high frequencies. Poor installations can cause as much as a 50% drop in the sensor frequency range.

Not every magnet is suitable for all applications. For example, rare earth magnets are commonly used because of their high strength. Flat magnets work well on smooth, flat surfaces, while dual-rail magnets are required for curved surfaces. In the case of non-magnetic or rough surfaces, it is recommended that the user first weld, epoxy or otherwise adhere a steel mounting pad to the test surface. This provides a smooth and repeatable location for mounting.

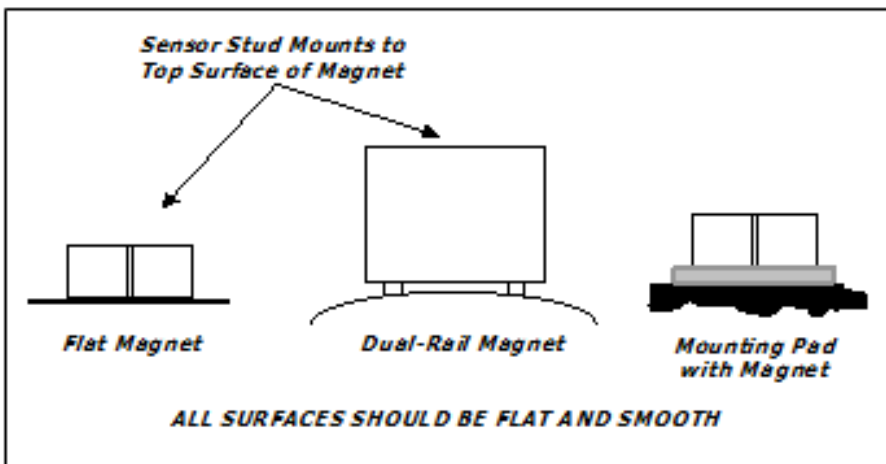


Figure 6 – Magnet Types

- Step 1: After choosing the correct magnet, inspect the unit to verify that the mounting surfaces are flat and smooth.
- Step 2: Stud-mount the accelerometer to the appropriate magnet according to the guidelines set forth in Steps 2 and 3 of the Standard Stud Mount Procedure.
- Step 3: Prepare a smooth, flat mounting surface. A minimum surface finish of 63 μin [0.0016 mm] generally works best. After cleaning the surface and checking for burrs, wipe on a light film of silicone grease, machine oil or similar-type coupling fluid.
- Step 4: Mount the magnet/sensor assembly to the prepared test surface by gently “rocking” or “sliding” it into place.

Note: Magnetically mounting accelerometers carelessly has the potential to generate very high (and very damaging) g levels. To prevent damage, install the assembly gently. If unsure, please contact the factory for assistance.

Wiring

On the following pages are eleven different wiring scenarios for the Smart Switch. The wiring legend below is applicable to all wiring diagrams.

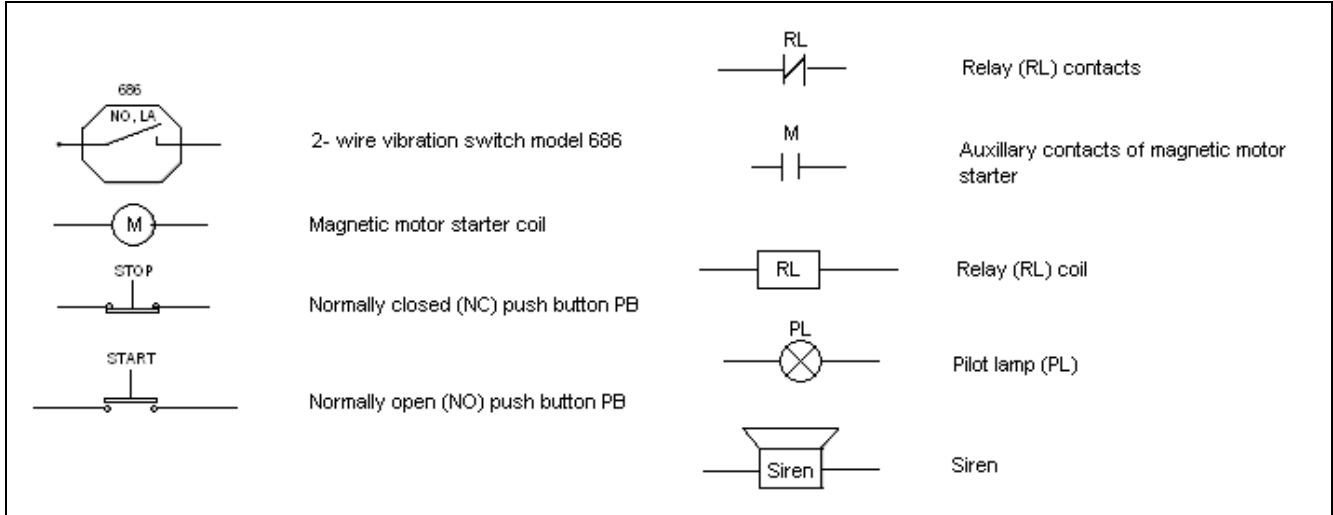
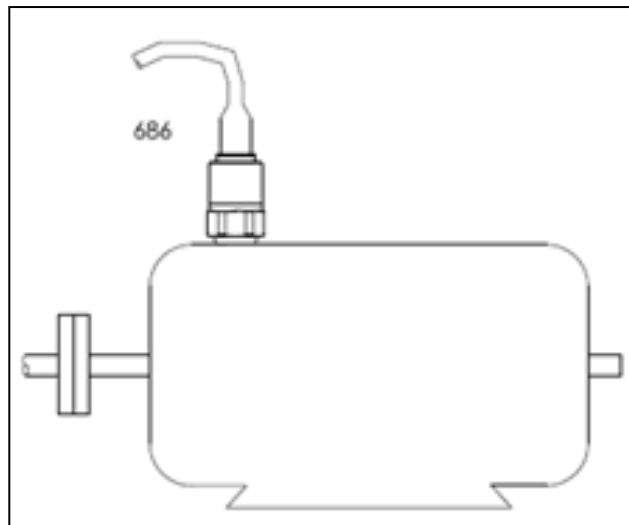
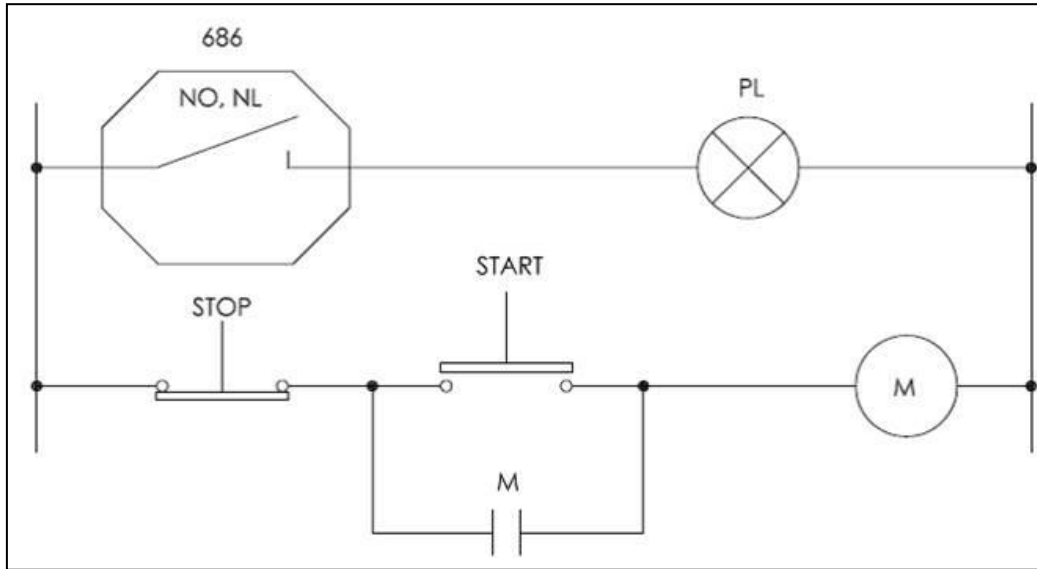


Figure 7 – Wiring Diagrams Legend

For those wiring scenarios that suggest the use of an external electromechanical relay, IMI suggests Omron general purpose relays as listed below. Visit www.omron.com for more information.

Attribute	Omron Model Number				
	MJN2C-AC120	MJN2C-AC240	MJN2C-DC12	MJN2C-DC24	MJN2C-DC110
Contact Form	2 Form C (DPDT)				
Relay Rated Resistive Load	10 A @ 240 VAC/28 VDC				
Service Life- Electrical (Min @Rated Loads)	100,000 operations "average"				
Relay Max Resistive Switching Capacity	2400 VA, 280 W	240 VAC	12 VDC	24 VDC	110 VDC
Coil Nominal Voltage	120 VAC		1.2 W		
Coil Power Consumption	1.7 VA				
Coil Type	Non-Latching				
Seal Type	Unsealed				
Termination Style	Socket Mount				
Operating Temperature Range	-45 to +60 C with no icing or condensation		-45 to +70 C with no icing or condensation		
Dielectric Strength (AC for 1 min)	2500 VAC				
Approved Standards	UL, CSA				

Indicating a High Level of Vibration in a Motor

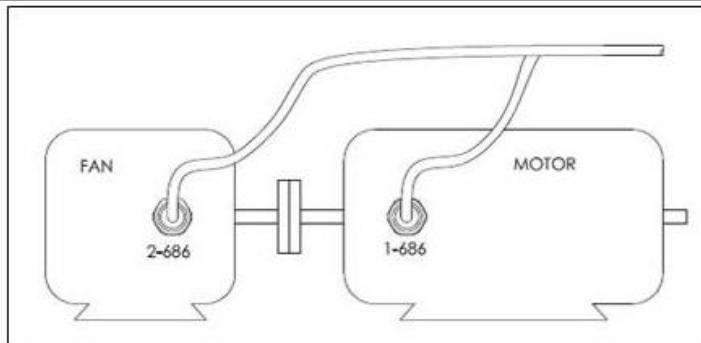
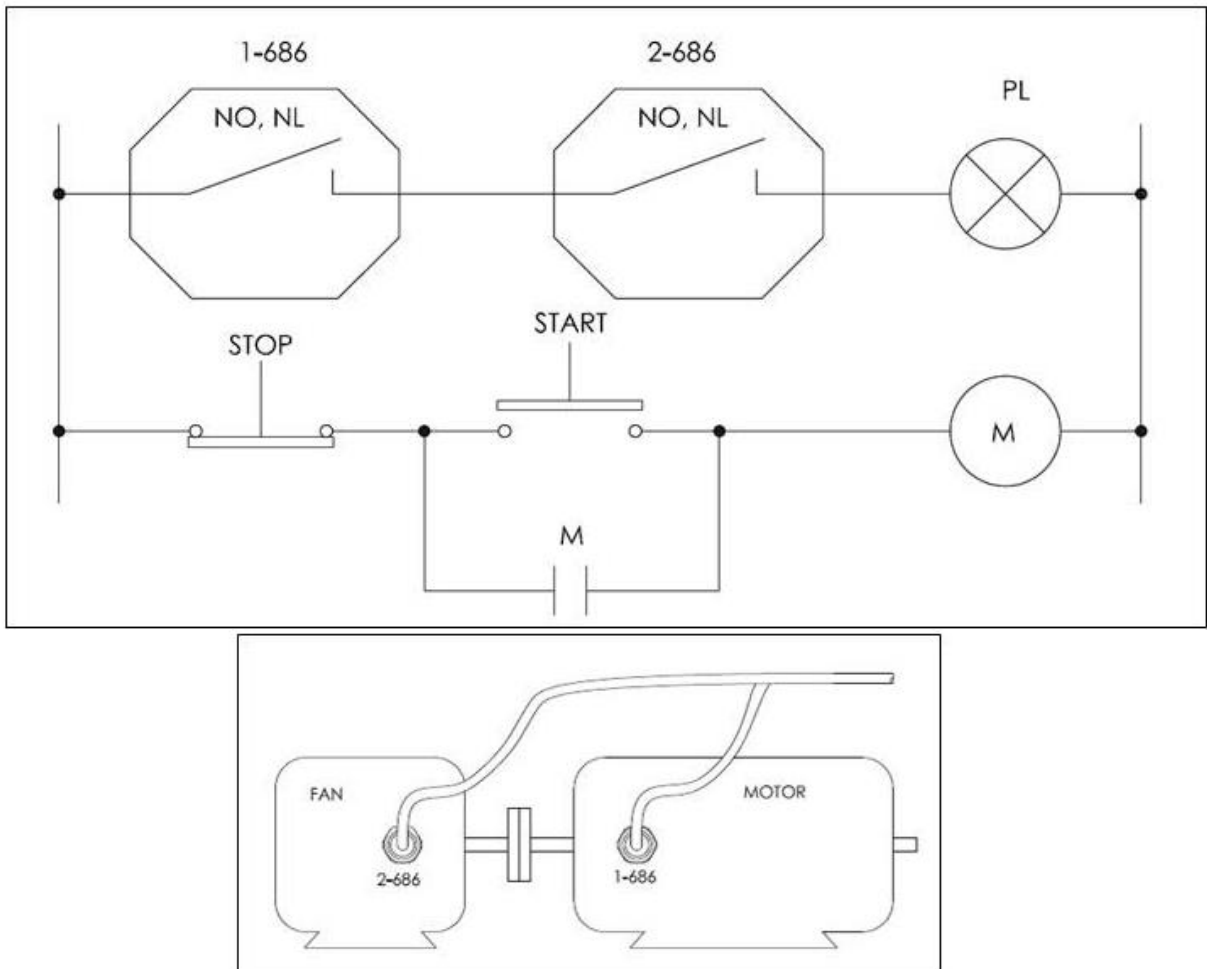


Figures 8 and 9 – Indicating a High Level of Vibration in a Motor

Pushing the Start pushbutton closes the M contacts and starts the motor. If the start-up delay option for the switch is enabled, the Smart Switch will not trip regardless of the vibration level during the specified delay time. After this delay, the vibration switch will be activated. If the vibration level exceeds the alarm threshold for a time period greater than the specified operational delay time, the relay will trip. This action will close the contact to the pilot lamp.

Since the NL (non-latching) option is specified, the pilot lamp will illuminate only while alarm threshold is exceeded. Should the vibration level drop below the alarm threshold value (based also on the specified hysteresis), the pilot lamp will turn off.

Indicating High Levels of Vibration Simultaneously in Series (Such as Fan & Motor)



Figures 10 and 11 – Indicating High Levels of Vibration Simultaneously in Series (Such as Fan & Motor)

The Smart Switches are hooked up in series and installed on the two most loaded bearings across the coupling in the horizontal direction. Pushing the Start pushbutton closes the M contacts and starts the motor and fan. If the start-up delay option for the switches is enabled, the Smart Switches will not trip during the specified startup delay time, regardless of the vibration level. After this delay, the switch relays will be activated if the vibration level on both machines exceeds the alarm threshold for a period greater than the specified operation delay time. This action will close the contact to the pilot lamp.

Since the NL (non-latching) option is specified, the pilot lamp will illuminate only while set threshold on both machines is exceeded. Should the vibration level for one or both of the machines drop below the threshold value (based also on the specified hysteresis), the pilot lamp will turn off.

Constant Siren Alarming in the Event of High Vibration Levels

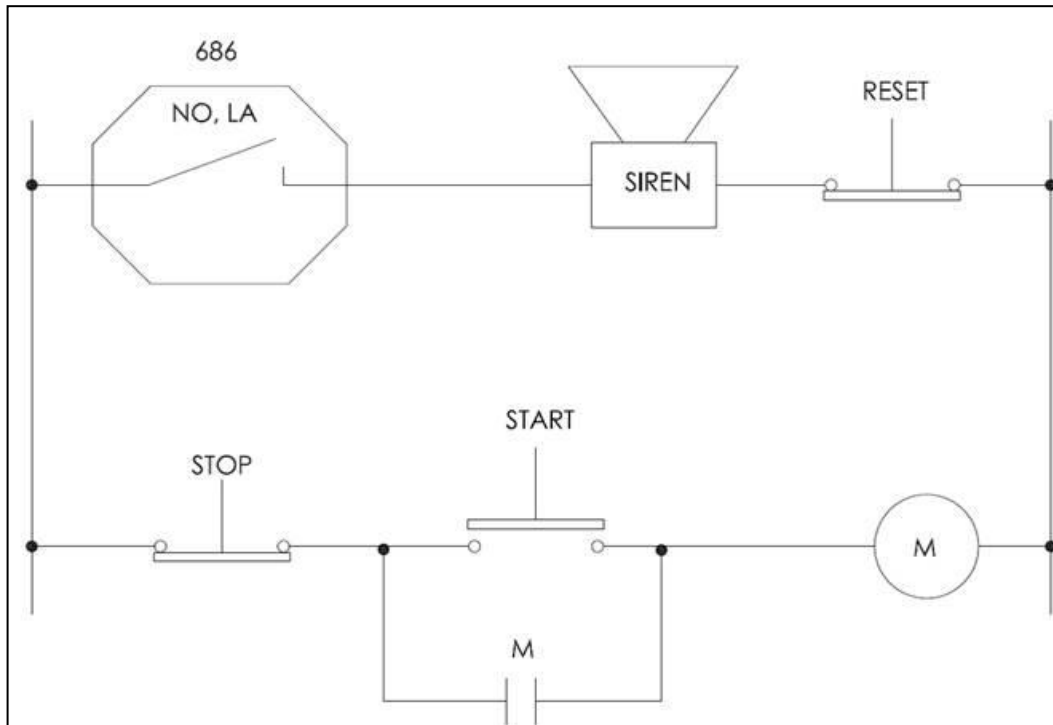
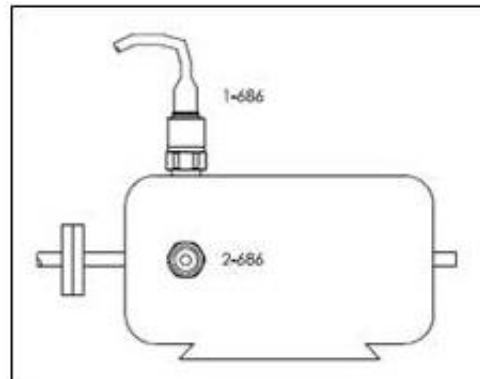
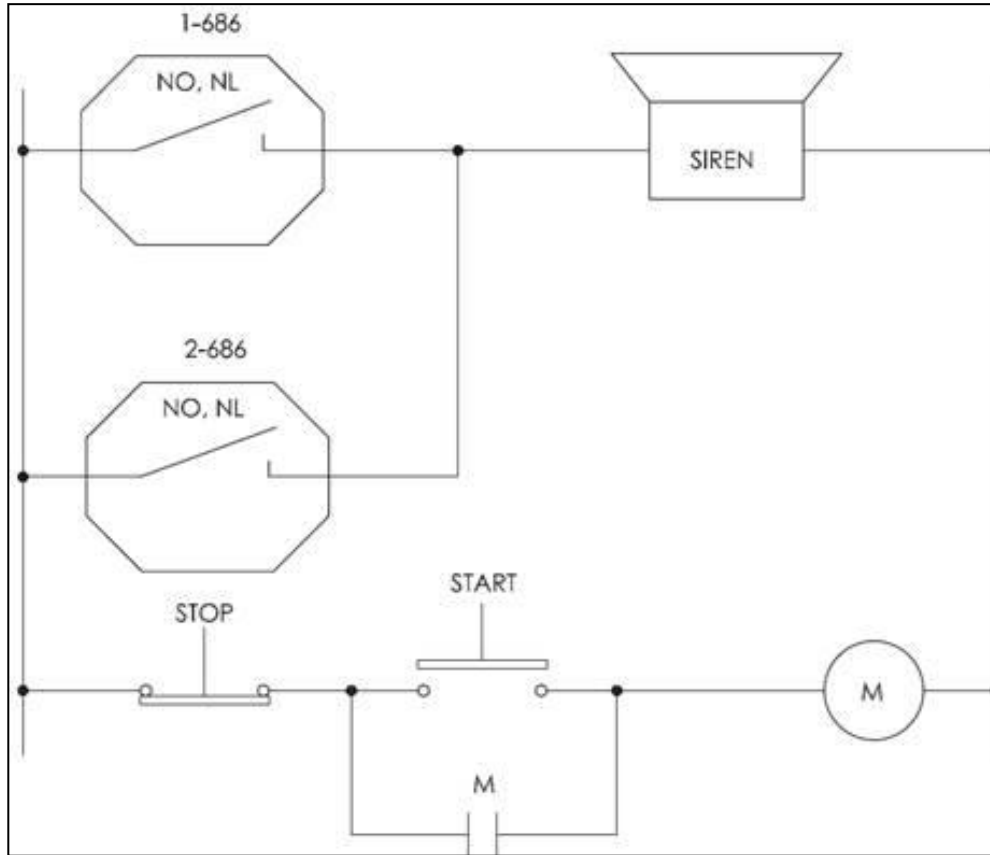


Figure 12 – Constant Siren Alarming in the Event of High Vibration Levels

The Smart Switch is hooked up for automatic constant siren alarming when the alarm threshold level is exceeded. Pushing the Start pushbutton closes the M contact and starts the motor. If the start-up delay option for the switches is enabled, the Smart Switches will not trip during the specified startup delay time, regardless of the vibration level. After this delay, the switch relay will be activated if the vibration level exceeds the alarm threshold for a period greater than the specified operational delay time. This action will close the contact to the alarm siren and activate it.

Since the LA (latching) option is specified, the alarm siren will be constantly energized after this high vibration event, even if the vibration level should drop below the alarm threshold. The Reset pushbutton should be engaged to de-energize the alarm siren and return the system to its original monitoring condition.

Using Two Switches in Parallel to Monitor Two Axes Simultaneously on Same Motor



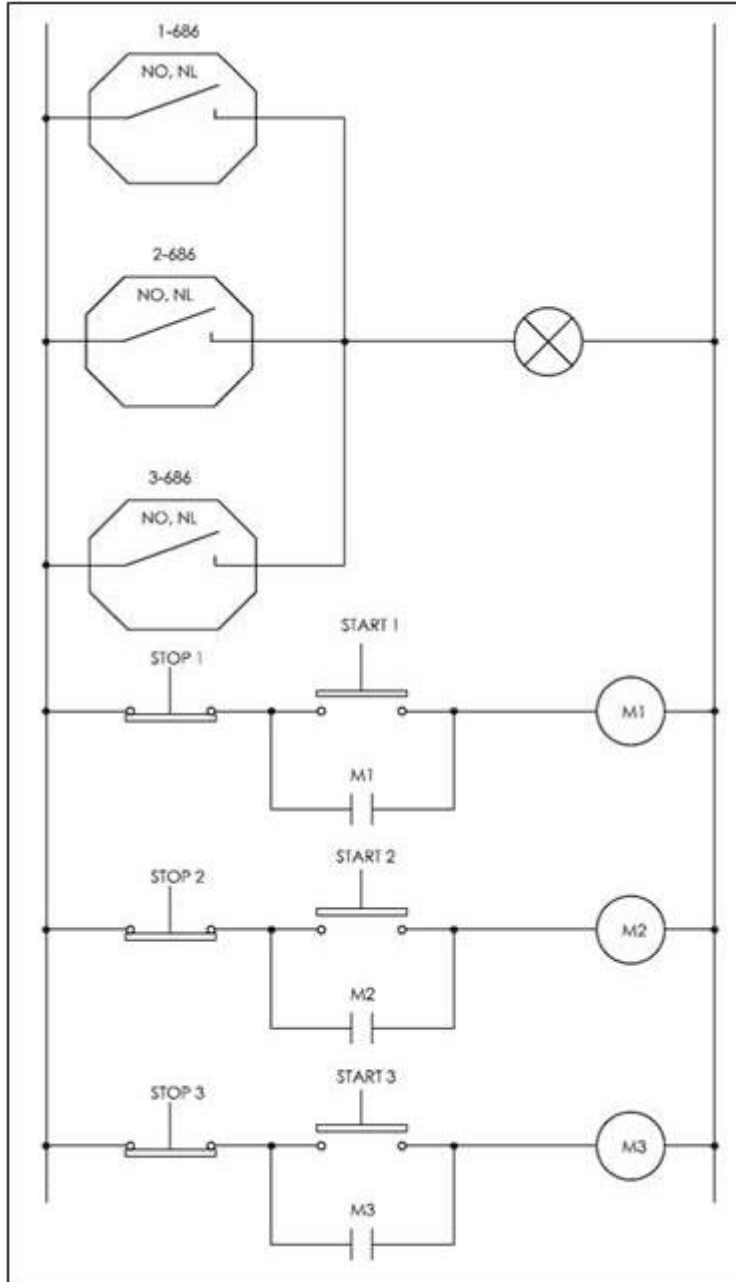
Figures 13 and 14 – Using Two Switches in Parallel to Monitor Two Axes Simultaneously on Same Motor

The Smart Switches are hooked up in parallel and installed on the motor in horizontal and vertical directions. Pushing the Start pushbutton closes the M contact and starts the motor. If the start-up delay option for the switches is enabled, then during the specified startup delay time, the switches will not trip regardless of the vibration level. After this delay, the alarm siren will be activated if either of the switches experiences a vibration level over the alarm threshold lasting greater than the specified operation delay time.



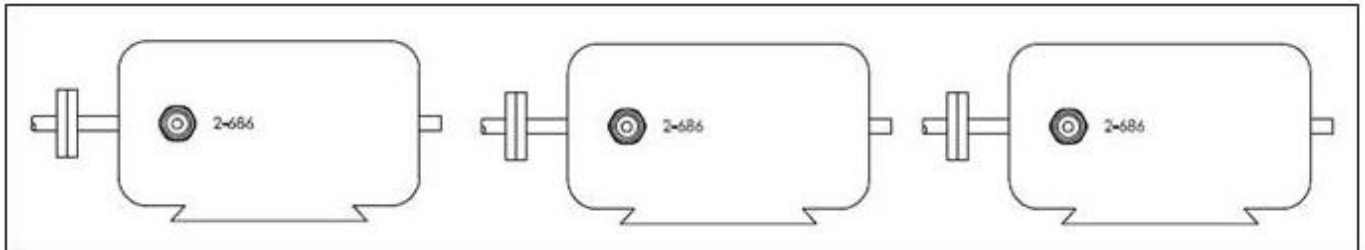
Since the NL (non-latching) option is specified, the alarm siren will sound while alarm threshold on one or both switches is exceeded. Should the vibration level for both switches drop below the alarm threshold value (based also on the specified hysteresis), the alarm siren will turn off.

Using Three Switches in Parallel to Monitor Three Motors Simultaneously



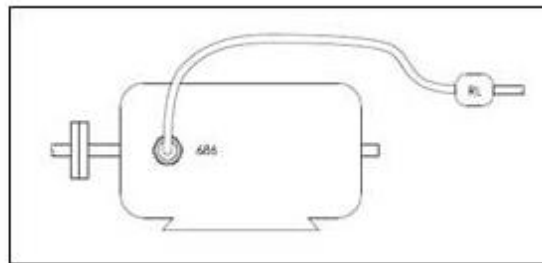
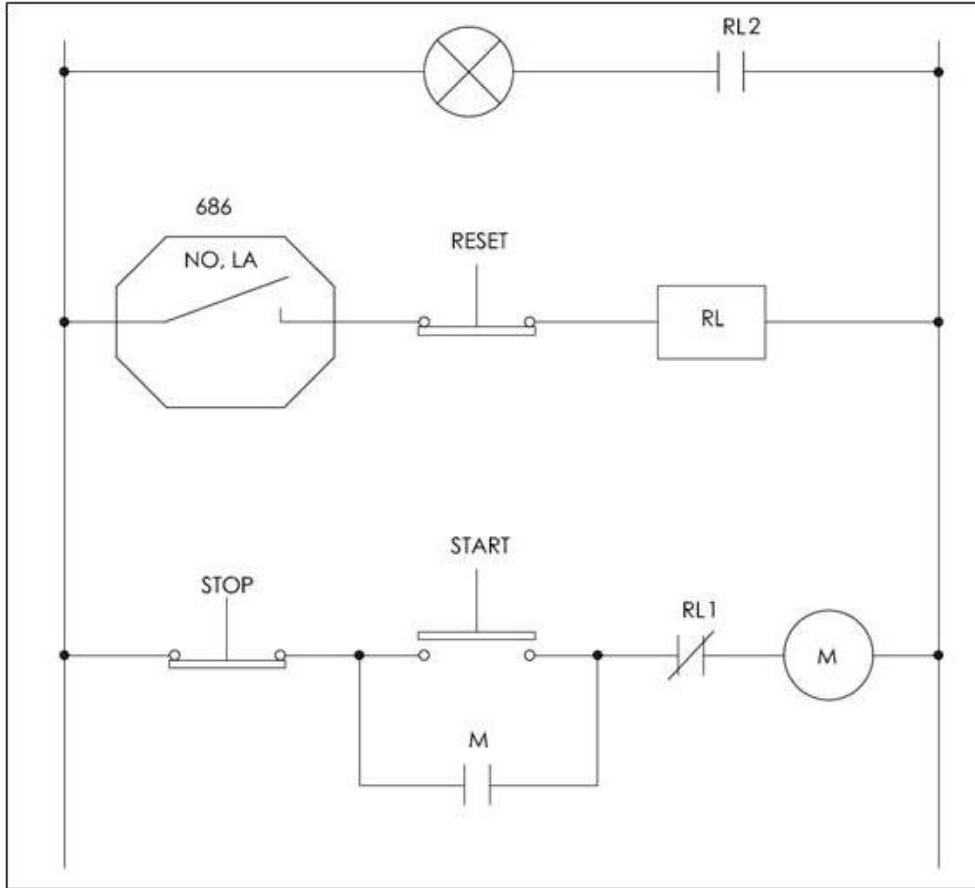
The three Smart Switches are hooked up in parallel and installed on each motor in the horizontal direction. This provides an economical solution for monitoring a group of machinery while only having to run one cable. Pushing any Start pushbutton will close the corresponding M contact and start the motor. If the start-up delay option for the switches is enabled, then during the specified startup delay time, the switches will not trip; regardless of the vibration level. After this delay, the pilot lamp will be illuminated if any of the switches experience a vibration level over the alarm threshold value lasting greater than the specified operational delay time.

Since the NL (non-latching) option is specified, the pilot lamp will illuminate while alarm threshold on any of the switches is exceeded. When the vibration level for all switches drops below their alarm threshold value (based also on the specified hysteresis), the pilot lamp will turn off.



Figures 15 and 16 – Using Three Switches in Parallel to Monitor Three Motors Simultaneously

Automatic Machinery Shutdown Using an External Electromechanical Relay

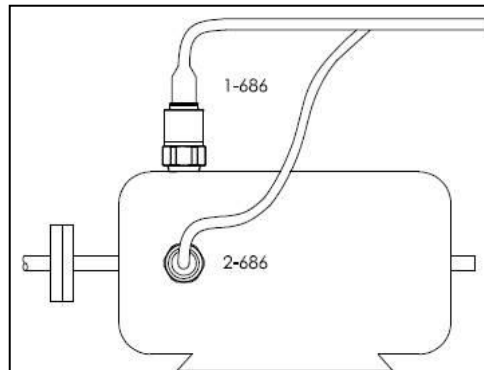
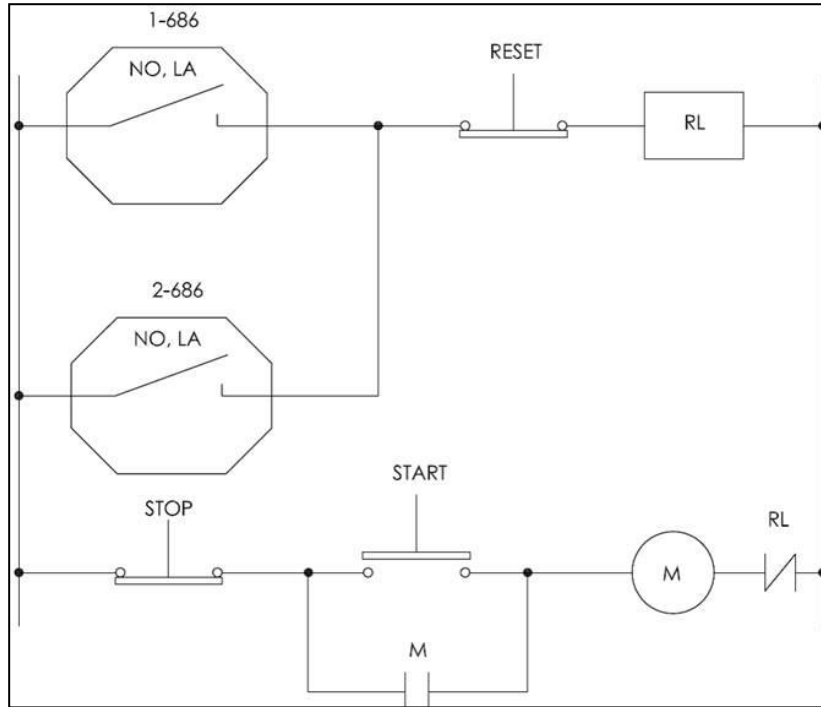


Figures 17 and 18 – Automatic Machinery Shutdown Using an External Electromechanical Relay

The Smart Switch is hooked up for automatic motor shutdown when the alarm threshold level is exceeded. The switch should be mounted in the horizontal direction on the bearing carrying the most load. Pushing the Start pushbutton closes the M contact and starts the motor. If the start-up delay option for the switches is enabled, the Smart Switches will not trip during the specified startup delay time, regardless of the vibration level. After this delay, the switch relay will be activated if the vibration level exceeds the alarm threshold for a period greater than the specified operational delay time. This action will close the contact and send a voltage to the RL relay coil. This will open the RL1 and close the RL2 contacts, shut down the motor, and light the pilot lamp.

Since the LA (latching) option is enabled, the RL coil will be constantly energized after this event; even if the vibration level drops below the alarm threshold value after shutdown. The Reset pushbutton should be pushed to reset the switch and close the RL1 and RL2 contacts before restarting the motor.

Automatic Machinery Shutdown Using an External Electromechanical Relay While Monitoring 2 Axes



Figures 19 and 20 – Automatic Machinery Shutdown Using an External Electromechanical Relay While Monitoring 2 Axes

The Smart Switches are hooked up in parallel for automatic motor shutdown when the alarm threshold level is exceeded on either switch. The switches should be mounted in the horizontal and vertical direction at the bearing carrying the most load. Pushing the Start pushbutton closes the M contact and starts the motor. If the start-up delay option for the switches is enabled, the Smart Switches will not trip during the specified startup delay time, regardless of the vibration level. After this delay, the switch relay will be activated if the vibration level of either switch exceeds the alarm threshold for a period greater than the specified operational delay time. This action will close the contact and send a voltage to the RL relay coil. This will open the RL contacts and shut down the motor.

Since the LA (latching) option is specified, the RL coil will be constantly energized after this event; even if the vibration level drops below the alarm threshold value after shutdown. The Reset pushbutton should be pushed to reset the switch and close the RL contacts before restarting the motor.

Using the Switch and External Latching for Automatic Machinery Shutdown

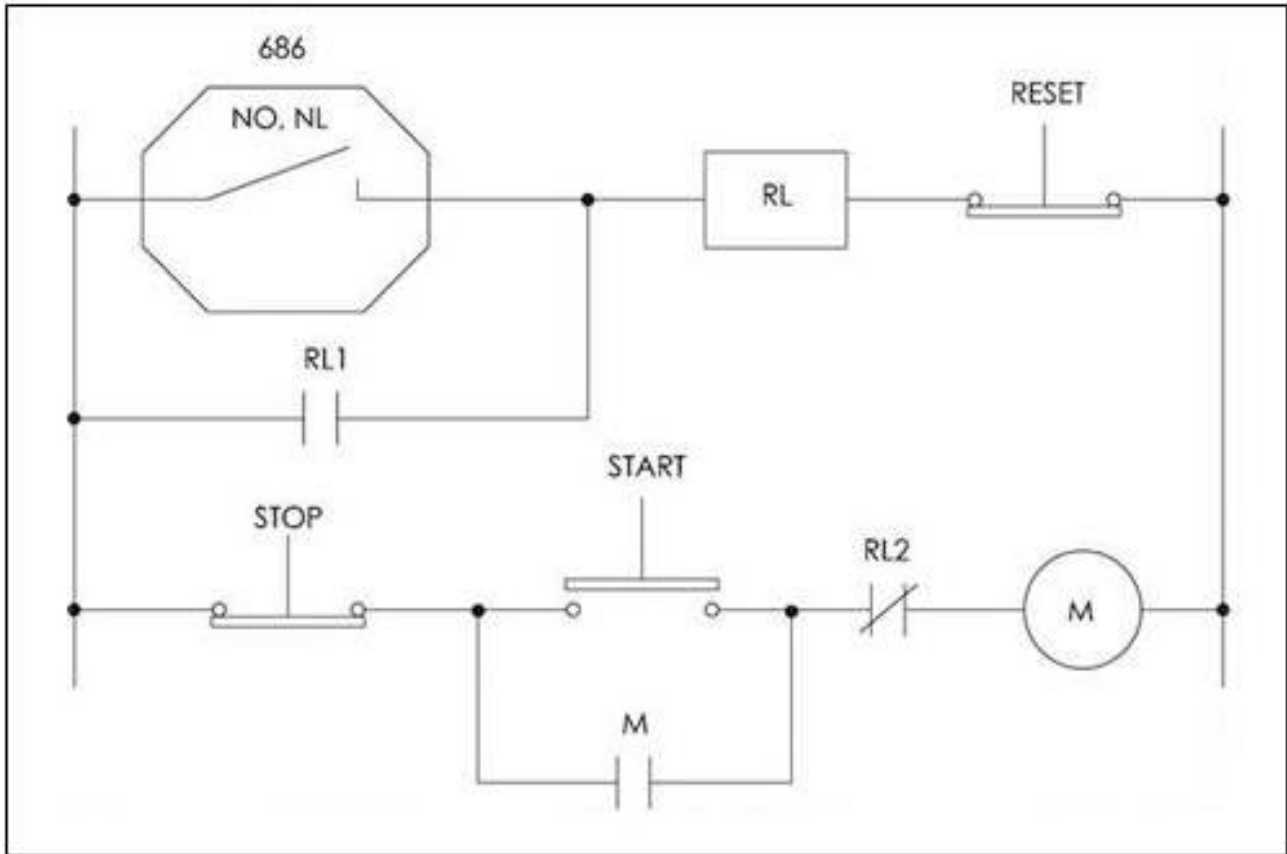


Figure 21 – Using the Switch and External Latching for Automatic Machinery Shutdown

The Smart Switches are hooked up for automatic motor shutdown in case of high vibration levels on critical machinery. Since RL2 contacts are normally closed, pushing the Start pushbutton closes the M contact and starts the motor. If the start-up delay option for the switches is enabled, the Smart Switches will not trip during the specified startup delay time, regardless of the vibration level. After this delay, the switch relay will be activated if the vibration level of either switch exceeds the alarm threshold for a period greater than the specified operational delay time. This action will close the contacts and send a voltage to the RL relay coil. This will open the RL2 contacts and shut down the motor.

Since the LA (latching) option is specified, the RL1 contacts are used for external latching. Closing of RL1 provides constant coil energizing after the shutdown event. Therefore, when the vibration level drops below the alarm threshold level after shutdown, the closed RL1 contacts still energize the RL coil and keep RL2 in the open position. The Reset pushbutton should be pushed to reset the 2-wire switch, close the RL2 contacts and open the RL1 contacts before restarting the motor.

Both Alarm Siren and Automatic Machinery Shutdown Using Two Switches

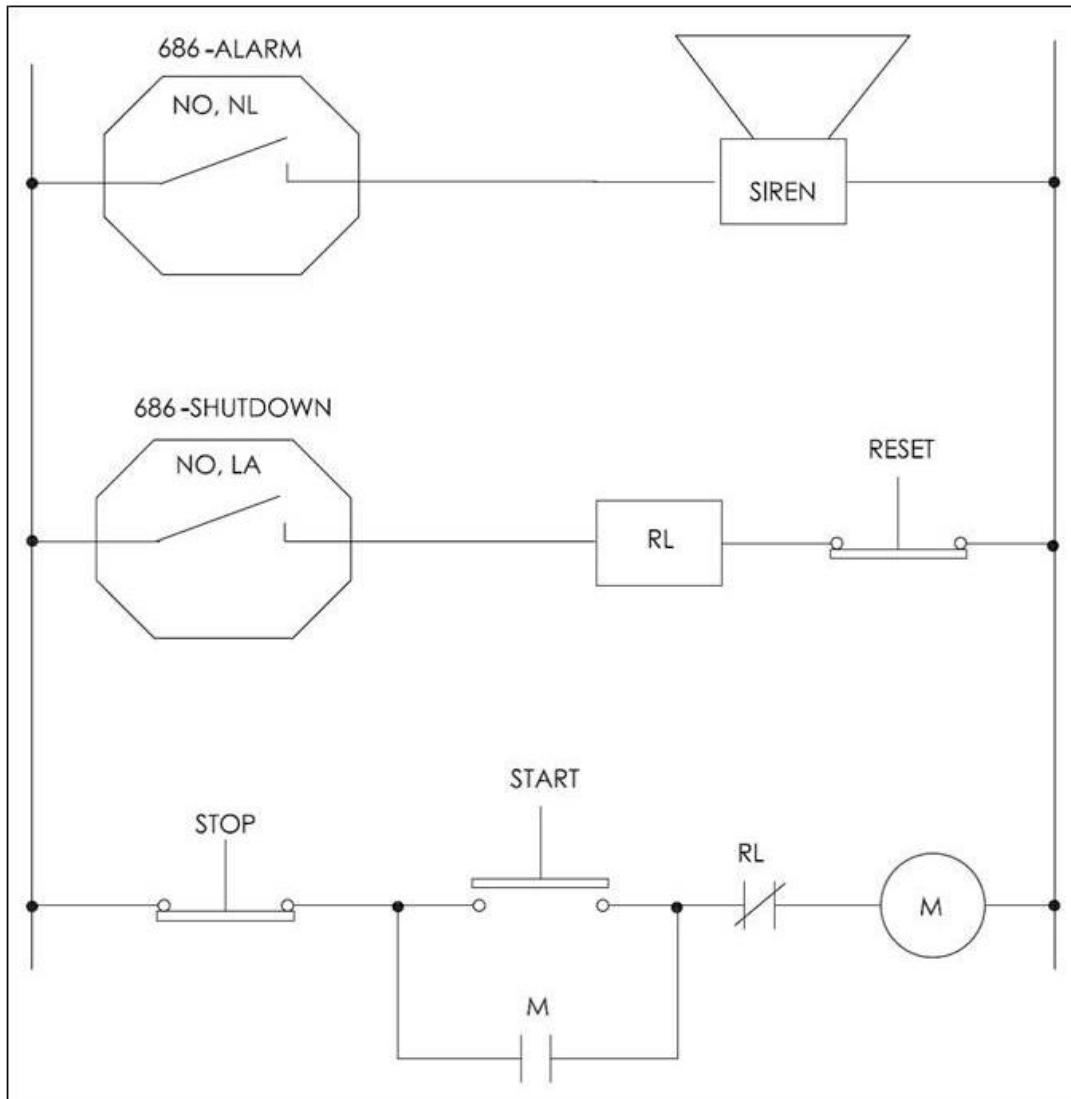


Figure 22 – Both Alarm Siren and Automatic Machinery Shutdown Using Two Switches

The Smart Switches are hooked up for providing alarm siren and automatic motor shutdown when the alarm threshold levels are exceeded. To accomplish this, the two switches have two different threshold values; one for alarm and one for shutdown. Pushing the Start pushbutton closes the M contact, and since RL2 contacts are normally closed, starts the motor. If the start-up delay option for the switch is enabled, the switch will not trip regardless of the vibration level during the specified delay time. After this delay, if the vibration level exceeds the alarm threshold for the alarm switch, it will be activated and apply a voltage to the alarm siren. Since the NL (non-latching) option is specified for this switch, the alarm siren will be energized until the vibration level falls below the alarm threshold value (based also on the specified hysteresis). If the vibration level exceeds the shutdown alarm threshold, the second vibration switch will be activated and apply a voltage to the RL relay coil. This will open the RL contacts and shut down the motor. Since the LA (latching) option is specified, the RL coil will be constantly energized after this event; even though the vibration level will drop below the alarm threshold value after shutdown. The Reset pushbutton should be pushed to reset the switch and close the RL contacts before restarting the motor.

Automatic Machinery Shutdown Based on Normally Open Solid-State Relay

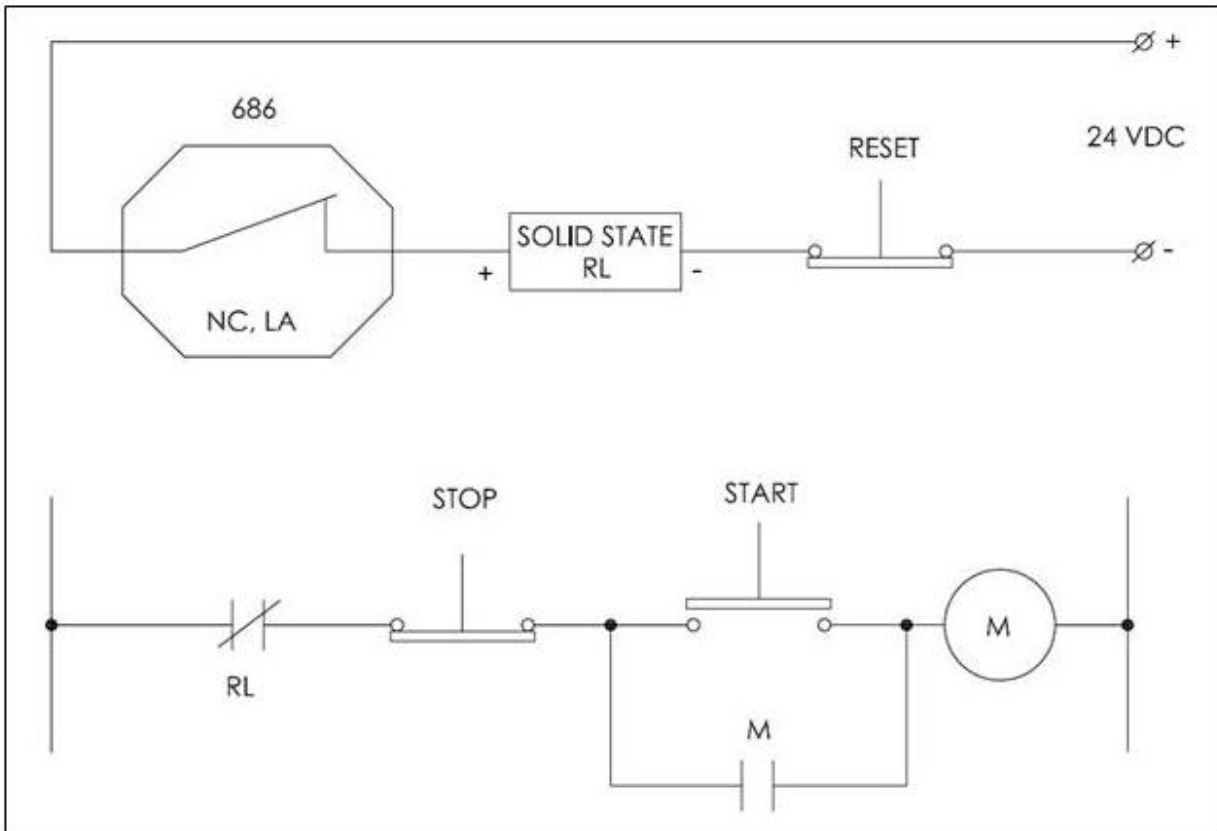


Figure 23 – Automatic Machinery Shutdown Based on Normally Open Solid-State Relay

The Smart Switch is hooked up to provide automatic motor shutdown when the alarm threshold level is exceeded. Pushing the Start pushbutton closes the M contact, and since the switch is Normally Closed, the solid state relay will be energized and the RL contacts will be closed. This will start the motor. If the start-up delay option is enabled, the switch will not trip regardless of the vibration level during the specified delay time. After this delay, if the vibration level exceeds the alarm threshold, it will be activated, thereby opening its contacts and de-energizing the solid state relay input. This will open the RL contacts and shut down the motor. Since the LA (latching) option is specified, the solid state relay input will be constantly de-energized after this event even if the vibration level drops below the alarm threshold value after shutdown. The Reset pushbutton should be pushed to reset the switch and close the RL contacts before restarting the motor.

Automatic Machinery Shutdown of Three-Phase Electrical Motor Based on a N.O. Solid State Relay

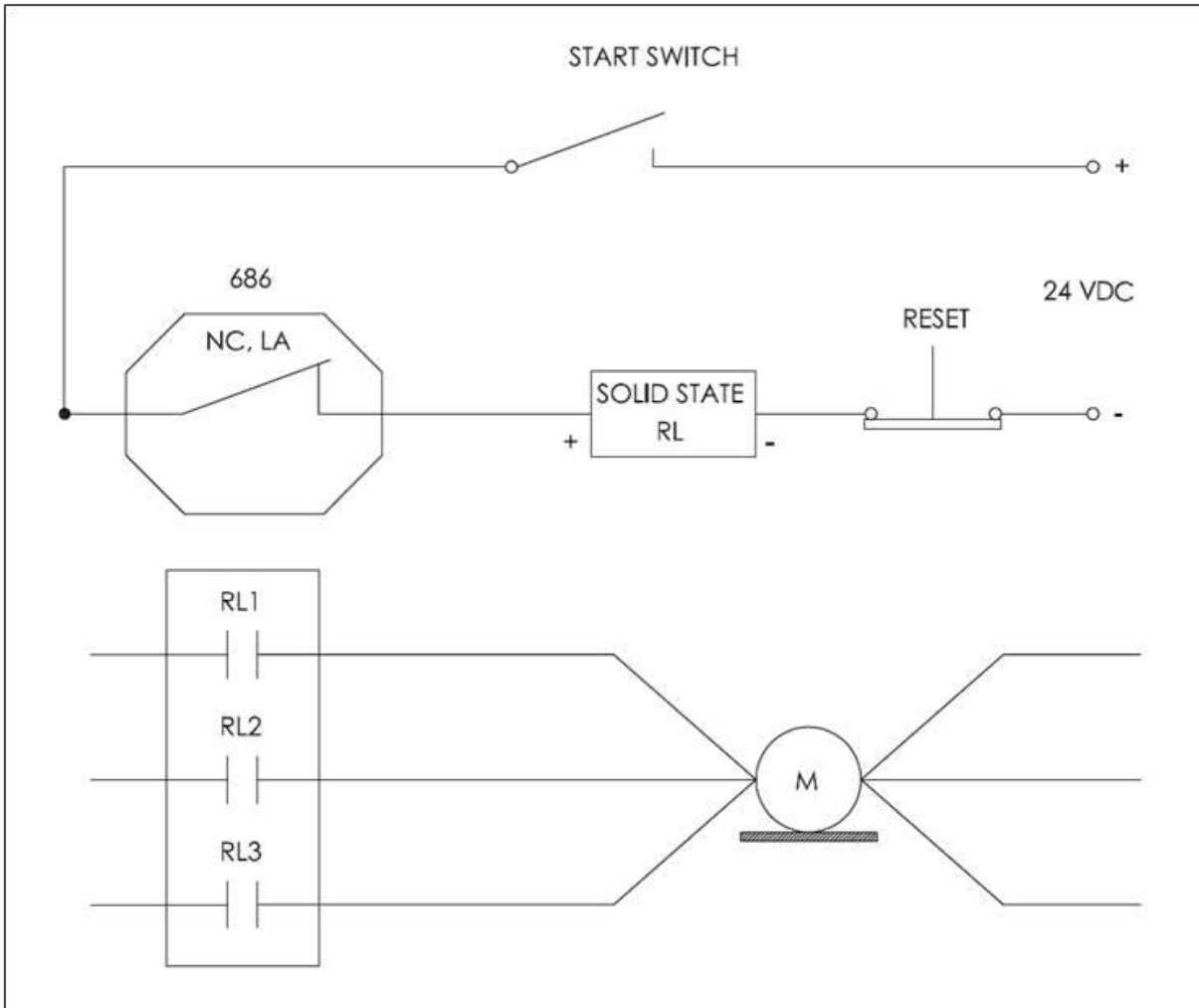


Figure 24 – Automatic Machinery Shutdown of 3-Phase Electrical Motor Based on a N.O. Solid State Relay

The Smart Switch is hooked up to provide automatic motor shutdown when the alarm threshold level is exceeded using a normally open three channel solid state relay. Since the Smart Switch is normally closed, closing the Start Switch will energize the solid state relay. This will cause the RL1, RL2, and RL3 contacts to close and start the motor. If the start-up delay option for the switch is enabled, the switch will not trip regardless of the vibration level during the specified delay time. After this delay, if the vibration level exceeds the alarm threshold, it will be activated, thereby opening its contacts and de-energizing the solid state relay input. This will open the RL1, RL2, & RL3 contacts and shut down the motor. Since the LA (latching) option is specified, the solid state relay input will be constantly de-energized after this event; even if the vibration level drops below the alarm threshold value after shutdown. The Reset pushbutton should be pushed to reset the switch and close the RL1, RL2, & RL3 contacts before restarting the motor. This will start the motor immediately without using the Start pushbutton.

Programming Software

The Smart Switch can be user-programmed with the optional Model 600A29 Programming Kit. The kit includes USB programmer cable/dongle (Model 070A100), software (Model EE225), terminal block/integral cable adapter (Model 042M17) and magnet clip (Model 080A214). The software can also be downloaded from IMI's website, www.pcb.com. This software must be installed prior to connecting the Smart Switch to the computer using the USB programmer cable. The software includes both the drivers and user interface needed for programming the Smart Switch. During initial installation, you may need administrative rights for the computer in order to install the drivers. Once installed, administrative rights are not required for use.



Figure 25 – Model 600A29 USB Programmer Kit

Program Installation

Installing the Software and USB Driver: Insert the software CD provided into the CD drive. The software will start the installation automatically if your PC is set to auto-install applications. If not, browse the CD and click on Setup.exe to start the installation process. The default installation directory is C:\PCB\EE225. It is recommended to use the default setting.

The installer will first install the software and then the WinUSB device driver. This device driver is required for the programmer software to communicate with the 070A100 USB programmer cable included in the programmer kit.

The following screens will be displayed when the installer starts. Click the Next button to proceed from step to step.

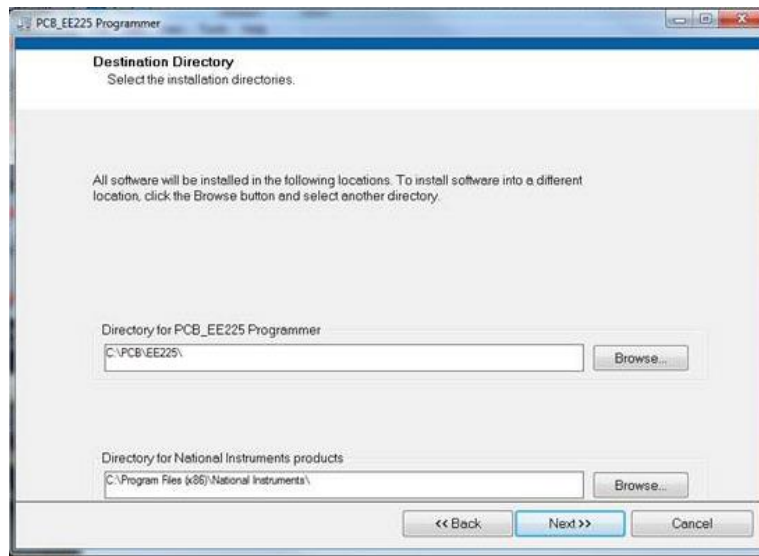


Figure 26 – Install Location Screen

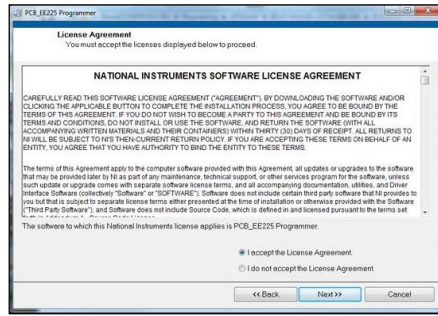


Figure 27 – National Instruments Software License Agreement

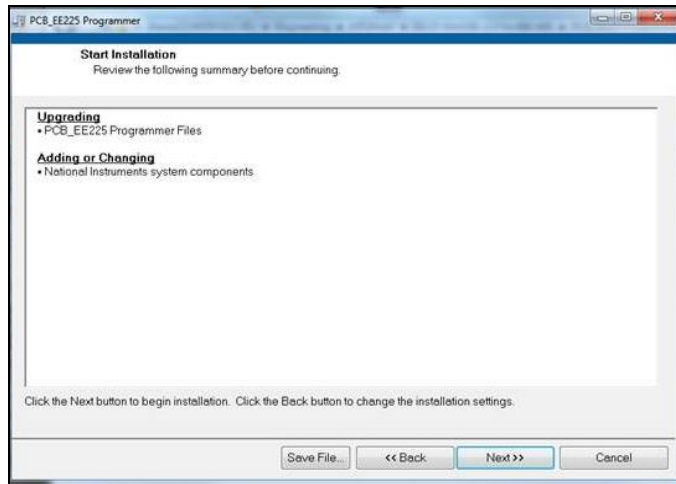


Figure 28 – Installation Verification Screen

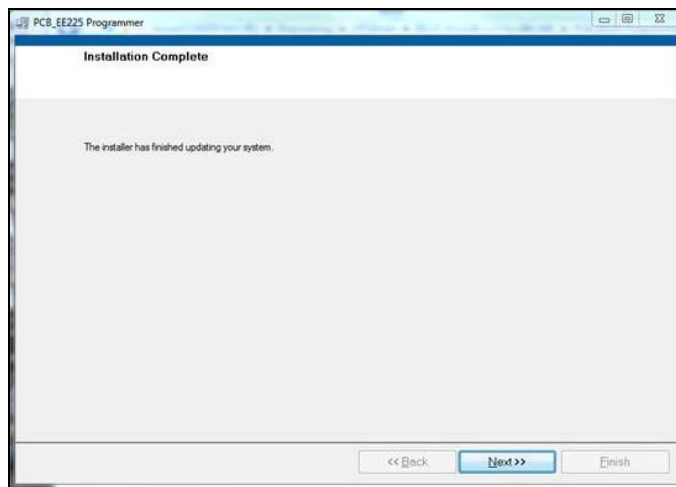


Figure 29 – Installation Complete Screen

After the software completes, the USB driver installer will start automatically. The initial USB installer will look similar to the one below.



Figure 30 – WinUSB Driver Installation Screen

The drivers will now be properly installed and you should get the following screen. Click “Finish”. The software is now ready to use.



Figure 31 – WinUSB Driver Installation Complete Screen

Running the Software

Connect the USB programmer cable to the Smart Switch. Hold a magnet to the indicated MAVT™ point on the Smart Switch. Wait about 2 seconds. While keeping the magnet against the Smart Switch, connect the USB programmer cable to a USB port on the PC. Run the software from the Start | All Programs | PCB EE225 Software menu item.

Initially the screen will appear as in **Error! Reference source not found.** with a yellow bar and status indicating ‘Initializing...’ followed by the message: “Connecting to USB Dongle...”.

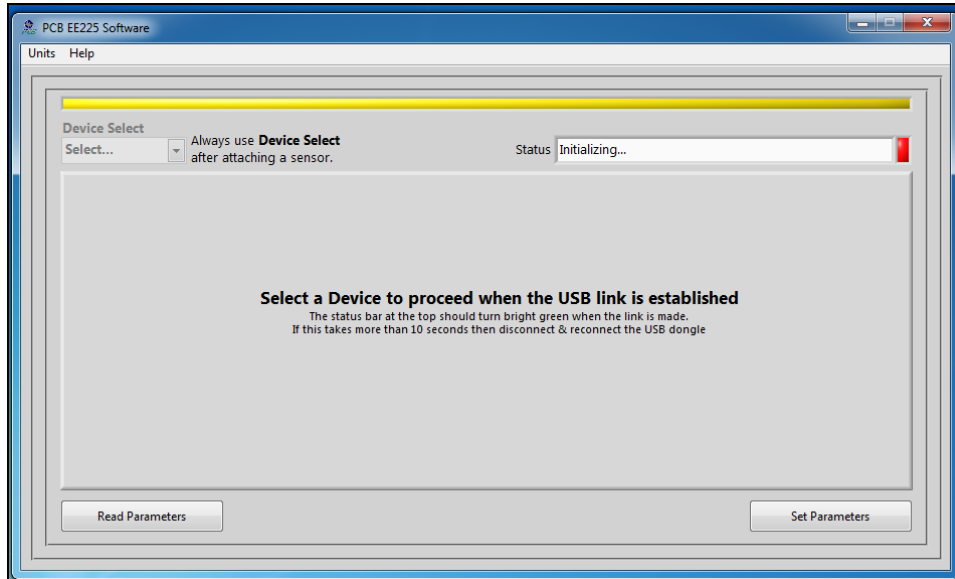


Figure 32 – Software While Connecting to USB Programmer Cable

Once the connection is made the bar at the top of the screen will turn green and the status will indicate “USB Connection Success - Select a device”. If the software and USB programmer cable fail to connect, remove and reinsert the USB programmer cable.

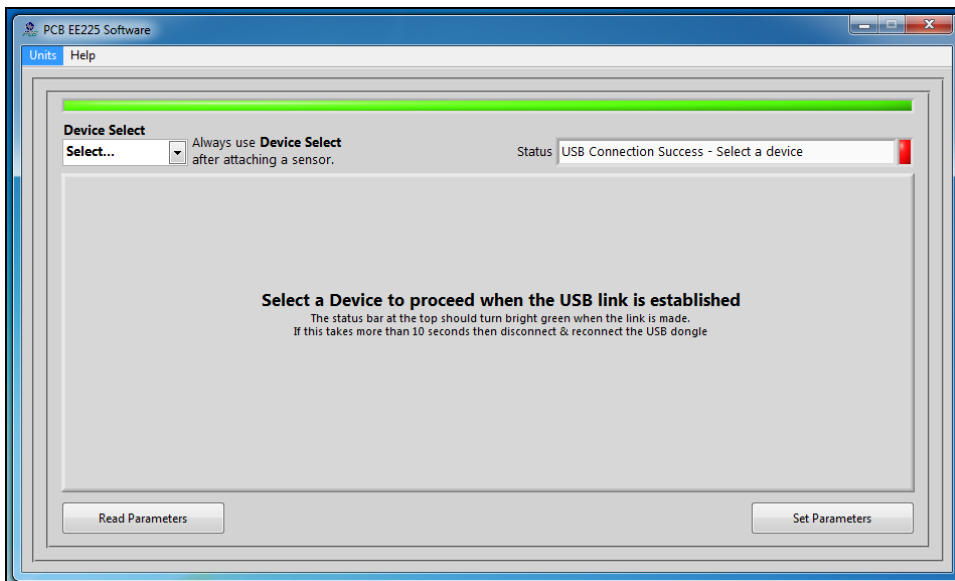


Figure 33 – Software After Connecting to USB Programmer Cable

To select a device, click on the Device Select pull down menu and select the device you'd like to program. In this case, select 686.

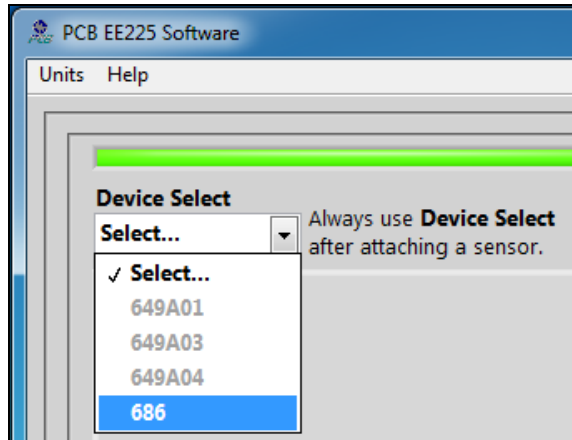


Figure 34 – Device Selection

Once a product is selected, the software will prompt you to confirm connection of the sensor to the PC using the USB programmer cable. Click OK to proceed.

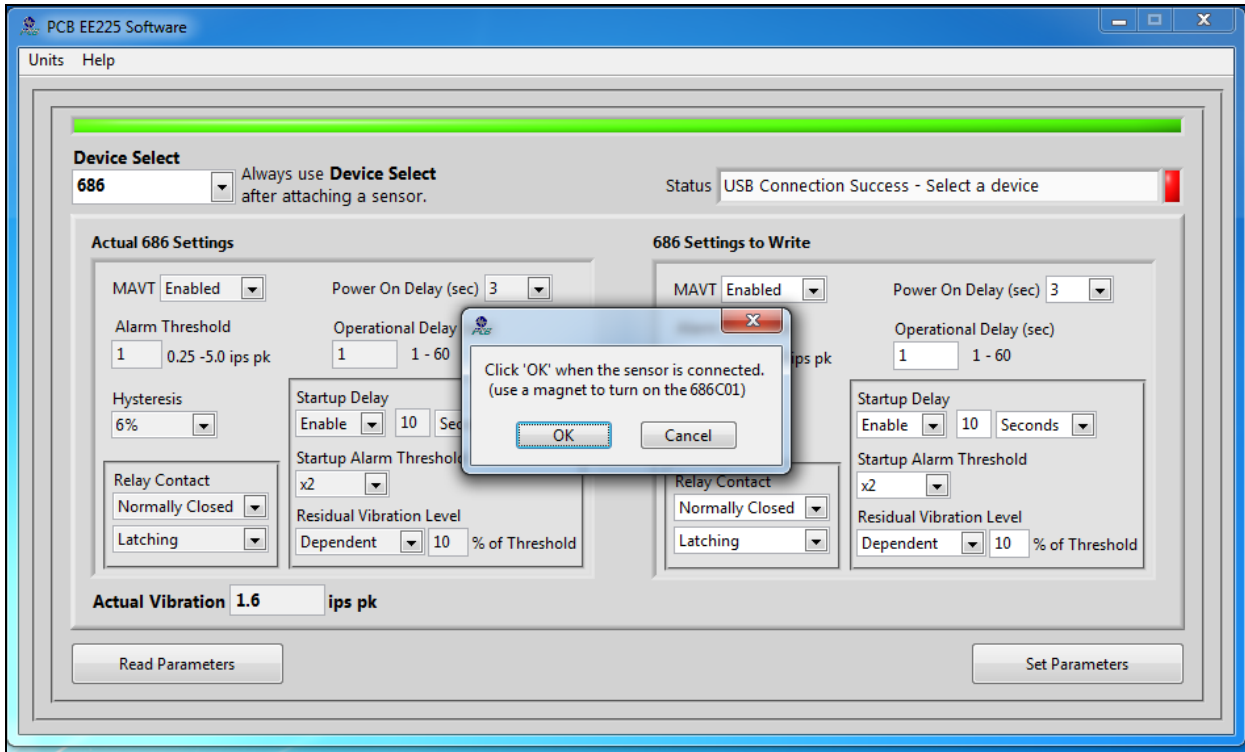


Figure 35 – Sensor Connection Screen

While the software is establishing communication with the sensor, the status will display 'Checking Status...' and the colored indicator box next to the status will alternate between red and yellow. This will take approximately 15 seconds. Once communication is established, the indicator box will turn green and the software will read the sensor's current settings and data. The fields presented in the main body of the screen will be specific to the selected sensor.

Programming Sections

The screen has two sections:

- Actual 686 Settings – This section shows the settings currently programmed in the sensor.
- 686 Settings to Write – This section shows the options for programming the sensor.

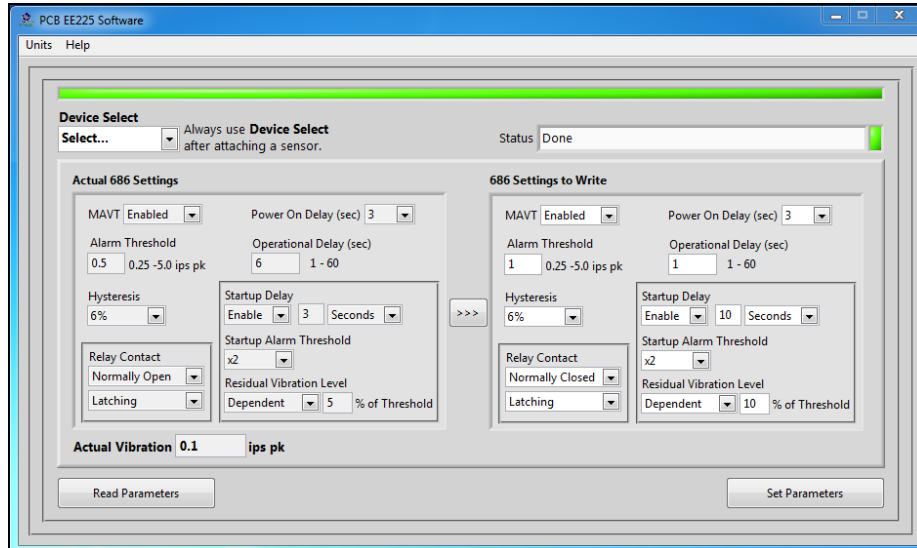


Figure 36 – Typical Smart Switch Screen After Successful Parameter Read

Reading and Writing Parameters

- Reading Parameters - To read the current sensor settings, click the Read Parameters button. This operation takes approximately 45 seconds to complete.
- Transferring Actual Settings to Settings to Write Field - Use the '>>>' button to transfer all Actual Settings to the Settings to Write fields.
- Writing Parameters- Select the appropriate mode and enter any pertinent parameter information. Click the Set Parameters button. This causes the settings to be sent to the sensor and then read back and displayed in the Actual 686 Settings.

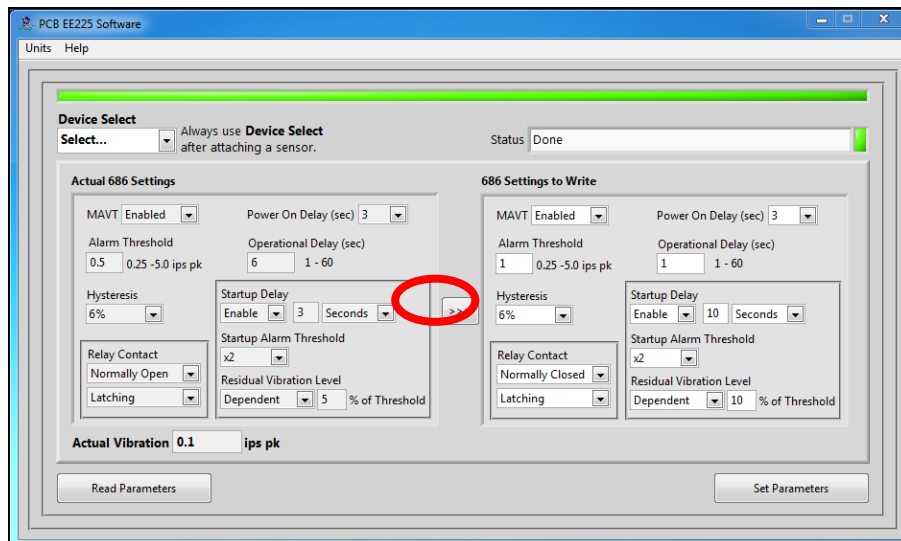


Figure 37 – Transferring Actual Settings to Settings to Write Field

Parameter Options

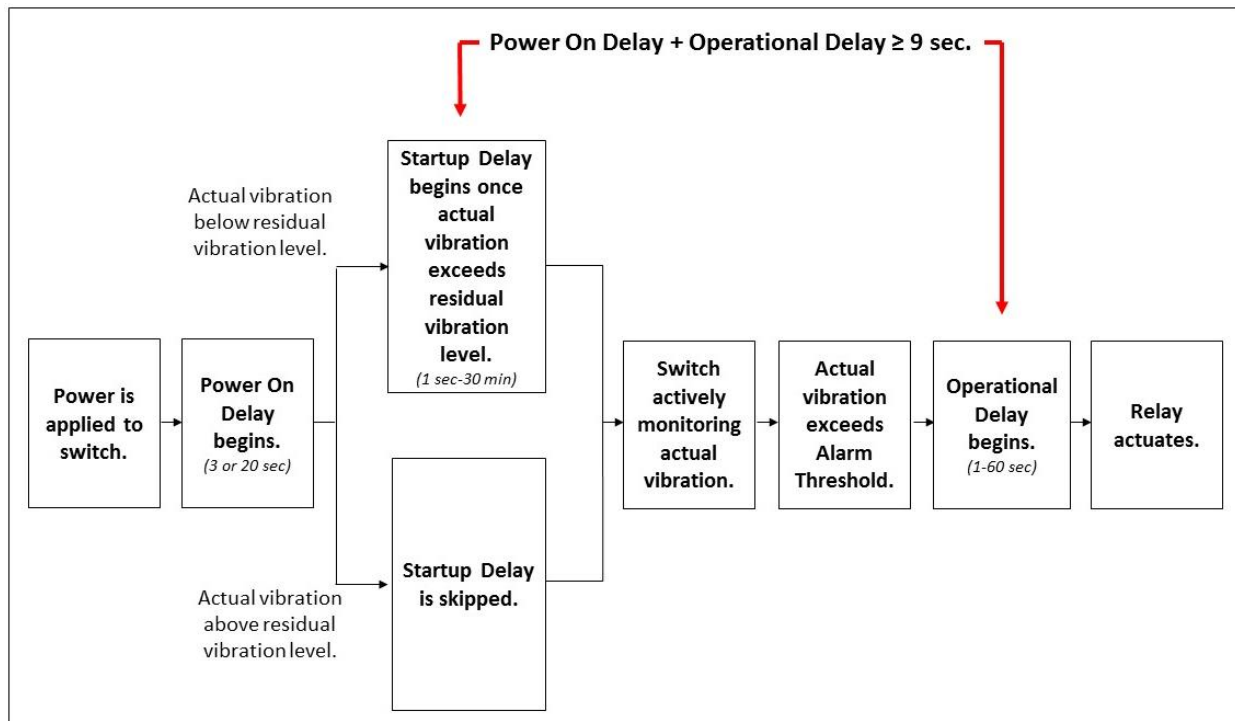
The software presents one read-only parameter (Actual Vibration) and several parameters that can be programmed to optimize performance of the Smart Switch. At any point during the programming process, the values can be changed between imperial and metric measurements by clicking the Units dropdown in the top navigation menu and then selecting the appropriate measurement type.

Parameter	Description	Acceptable Value(s)
Actual Vibration	Actual vibration (ips pk) being sensed by the switch at time when Read Parameters button is clicked.	N/A
MAVT™	Capability to determine and set the alarm threshold value automatically by the Smart Switch based on the actual vibration level measured by it. For more information about the MAVT™ feature, see page 16.	Enabled Disabled
Alarm Threshold	Vibration level at which the relay will change state.	0.25- 5.0 ips pk 6.35-127 mm/s pk
Hysteresis	Percentage that actual vibration must fall below the alarm threshold in order for a non-latching relay to automatically reset itself. Hysteresis prevents a relay from continually changing states when the vibration level is hovering around the alarm threshold level.	3% 6% 10%
Relay Contacts- Normal State	State in which the relay stays when not tripped.	Normally Open Normally Closed
Relay Contacts- Reset State	How the relay operates once actual vibration falls below the alarm threshold. <ul style="list-style-type: none"> Latching: Relay to latch or stay in the alarm state until manually reset regardless of the vibration level. Non-Latching Relay automatically resets once the vibration level falls below the alarm threshold (hysteresis) level. 	Latching Non-Latching
Power On Delay	Specified time period immediately after power is applied to the switch during which the relay will not trip regardless of the vibration level. Prevents a relay trip during high transient vibration levels that may occur during a normal machine startup.	3 sec 20 sec
Operation Delay	Specified time period for which actual vibration must constantly exceed the Alarm Threshold before the relay changes state. Prevents a relay trip as a result of a short transient spike in vibration level that may not even be caused by a machine fault.	1-60 sec
Startup Delay- Status	Specified time period immediately after power is applied to the equipment being monitored during which the relay will not trip regardless of vibration level.	Enabled Disabled
Startup Delay- Time Period	Time period during which vibration is ignored.	1-60 sec 1-30 min
Startup Delay- Startup Alarm Threshold	Maximum vibration ignored during the time period. Calculated as a multiple of the Alarm Threshold.	2x 4x 8x Blocked (All vibration)
Startup Delay- Residual Vibration Level	Minimum vibration level that, once surpassed at equipment startup, triggers the countdown of the Startup Delay Time Period.	Dependent (Threshold %) Independent (Value) Max 40% of Threshold

Unless otherwise specified, the Smart Switch comes from the factory with a set of default parameters. The specific set of parameters depends on the last alphanumeric character in the model number.

		Last Alphanumeric Character					
		1	2	3	4	X	
Parameter	MAVT™	Enabled					Custom, Customer- Specific Configuration
	Alarm Threshold	0.60 ips					
	Hysteresis	6%					
	Relay Contacts- Normal State	Normally Open	Normally Closed	Normally Open	Normally Closed		
	Relay Contacts- Reset State	Latching	Latching	Non-Latching	Non-Latching		
	Power On Delay	3 sec					
	Operation Delay	6 sec					
	Startup Delay- Status	Enabled					
	Startup Delay- Time Period	3 sec					
	Startup Delay- Startup Alarm Threshold	2x					
	Startup Delay- Residual Vibration Level	Dependent 5% of Threshold					

Execution of Delays



Magnetically Adjustable Vibration Threshold (MAVT™)

Magnetically Adjustable Vibration Threshold (MAVT™) is a Smart Switch selectable feature via USB programming. This unique capability allows the alarm threshold value to be determined and set automatically by the Smart Switch based on the actual vibration level being measured by it. This convenient feature permits any machine to be protected by a vibration switch within seconds without knowing anything about its vibration levels.

The Smart Switch has no accessible mechanical adjustments (ie. screw pots or DIP switches) that are found on other style electronic vibration switches. However, when the MAVT™ option is selected, the hermetically-sealed switch becomes adjustable through magnetic actuation. By touching a specified location on the housing with a strong permanent magnet for 2 seconds, an internal microprocessor is actuated that initiates the test sequence.

Note: The magnet clip (Model 080A214) is a supplied accessory when the Smart Switch is ordered from the factory with the optional 600A29 USB Switch Programmer Kit.



Figure 38 – Magnet Clip

MAVT™ Procedure

Be absolutely sure you do not have the switch connected to the machine's trip circuit during this procedure as the trip relay is activated several times during the procedure and will cause the machine to shut down and turn on several times. This could cause damage to your machinery.

1. Mount the Smart Switch on the machine that the switch will monitor. Be sure that the machine is operating in a steady state condition. If it is not operating, turn the machine on and allow enough time for the vibration level to normalize before going to the next step.
2. Connect the switch to the power supply using an appropriate cable. Since the Smart Switch operates off universal power, any power supply that outputs 24-240 VDC or 24-240 VAC, 50/60 Hz will work. A simple 24V power supply/signal conditioner (Model 480C02) will also work well and has the added advantage of visually indicating when the calibration process has been completed via its built-in meter. Allow 30 seconds for the switch to power up.
3. Touch the permanent magnet to the target on the side of the switch for approximately 2 seconds to initiate the process.
4. The alarm threshold calibration process takes approximately 30 seconds. (The amount of time needed varies based on the difference between the previous and new alarm threshold values.) During this process, the unit will measure the average vibration amplitude, set the alarm threshold value to two times this average value and store this value in a non-volatile memory. The relay contacts open and close repeatedly during this process.
5. Disconnect the Smart Switch from the power supply.
6. The switch can now be permanently installed on the machine for protection.

Switch Model Number Template

Prefix Option

- Blank** No Prefix Option
- EX** CSA Approval
- M** Metric Stud (Not w/ Terminal Block)
- EXM** Metric Stud, CSA Approval (Not w/ Terminal Block)

Version

- B** B Version (All models except those listed for C version)
- C** C Version (Models 686C01 & 686C0X only)

Electrical Connection

- 0** 2-Pin Mil-C-5015 Connector
- 1** Integral Cable
- 6** Integral Armored Cable
- 7** Terminal Block

Program Configuration

- 1 1 0 060 1 06 0 0 1 0 03 0 0 005
 2 " " " " " 1 " " " " " " " "
 3 " " " " " 2 " " " " " " " "
 4 " " " " " 3 " " " " " " " "
 X Custom Program Configuration (Fill out form below)

Use for Integral Cable Models Only

Cable Length Units

- Blank** English (ft)
- M** Metric (m)

Cable Length

- 001 to 200** Cable Length in ft
- 001 to 060** Cable Length in m

Cable Termination

- AB** BNC Jack
- AC** BNC Plug
- AD** Pigtail
- BZ** Blunt Cut

Armor Length

- Blank** Same as Cable Length
- 001 to 050** Armor Length in ft
- 001 to 015** Armor Length in m

Suffix Option

- Blank** No Suffix Option
- D** ATEX/IECEx Ex d Approval (EX prefix must also be selected)

Custom Program Configuration

MAVT™

A

0	Disabled
1	Enabled

Alarm Threshold

B

0	English
1	Metric

C Value = 0.25 to 5.00 ips pk
 04.5 to 90.0 mm/sec pk
 e.g.: 0.25 ips = **5**
 25.4 mm/sec = **4**

Hysteresis

D

0	3%
1	6%
2	10%

Operational Delay

E

Value = 01 to 60 sec

Relay Contact

F

0	Latching, Normally Open
1	Latching, Normally Closed
2	Non-Latching, Normally Open
3	Non-Latching, Normally Closed

Power On Delay

G

0	3 sec
1	20 sec

Startup Delay

H

0	Disabled
1	Enabled

I

0	Seconds
1	Minutes

J Value = 01 to 60 sec. or 01 to 30 min.

Alarm Threshold During Startup

(Multiplier of the Alarm Threshold)

K

0	x2
1	x4
2	x8
3	Blocked

Residual Vibration Level

L

0	Dependent
1	Independent

M Value = For **Dependent** 001 to 040% of Alarm Threshold. For **Independent** 0.01 to 5.00 ips 00.1 to 90.0 mm/sec

Figure 39 – Ordering Guide

Battery-Powered Signal Conditioner

Power supply/signal conditioner (Model 480C02) is for use with the Smart Switch when determining the alarm threshold level using the MAVT™ feature. The built-in meter indicates when the process is complete. See www.pcb.com for product details.



Figure 40 – Battery Powered Signal Conditioner

Calibration Cable

The calibration cable (Model 052BR010AC) is a 10 foot, twisted-pair, shielded cable with a 2-Pin MIL type connector terminating to a BNC plug for use with 480C02 power supply and Smart Switch.



Figure 41 – Calibration Cable

Magnet Clip

The magnet clip (Model 080A214) is supplied as part of the optional 600A29 USB Programmer Kit or can be ordered separately for use with the MAVT™.



Cable Ordering Information

Go to www.pcb.com for complete information on cables.

IMI Part Number: **052** **BR** **010** **BZ**

Cable Model Series _____

- 052 Polyurethane, Shielded, Twisted Pair
- 048 Armored Polyurethane, Shielded, Twisted Pair

Switch Connector Type _____

- AE 2 socket MIL type with environmental boot
- BP 2 socket MIL type high temp with strain relief
- BR 2 socket MIL type molded composite
- BQ 2 socket MIL type molded composite, right angle

Cable Length _____

- 010 10 feet
- 020 20 feet
- 030 30 feet
- 040 40 feet
- 050 50 feet
- XXX Any length

Cable termination _____

- BZ Blunt Cut

(Consult factory for additional options)



Warning 1 – ESD sensitivity

The power supply/signal conditioner should not be opened by anyone other than qualified service personnel. This product is intended for use by qualified personnel who recognize shock hazards and are familiar with the safety precautions required to avoid injury.

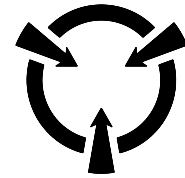
Warning 2 – ESD sensitivity

This equipment is designed with user safety in mind; however, the protection provided by the equipment may be impaired if the equipment is used in a manner not specified by PCB Piezotronics, Inc.

Caution 1 – ESD sensitivity

Cables can kill your equipment. High voltage electrostatic discharge (ESD) can damage electrical devices. Similar to a capacitor, a cable can hold a charge caused by triboelectric transfer, such as that which occurs in the following:

- *Laying on and moving across a rug,*
- *Any movement through air,*
- *The action of rolling out a cable, and/or*
- *Contact with a non-grounded person.*



CAUTION
ELECTROSTATIC
DISCHARGE SENSITIVE

The PCB solution for product safety:

- *Connect the cables only with the AC power off.*
- *Temporarily “short” the end of the cable before attaching it to any signal input or output.*

Caution 2 – ESD sensitivity

ESD considerations should be made prior to performing any internal adjustments on the equipment. Any piece of electronic equipment is vulnerable to ESD when opened for adjustments. Internal adjustments should therefore be done ONLY at an ESD-safe work area. Many products have ESD protection, but the level of protection may be exceeded by extremely high voltage.

Warranty

IMI instrumentation is warranted against defective material and workmanship for 1 year unless otherwise expressly specified. Damage to instruments caused by incorrect power or misapplication, is not covered by warranty. *If there are any questions regarding power, intended application, or general usage, please consult with your local sales contact or distributor.* Batteries and other expendable hardware items are not covered by warranty.

Service

Because of the sophisticated nature of IMI instrumentation, field repair is typically **NOT** recommended and may void any warranty. If factory service is required, return the instrumentation according to the "Return Procedure" stated below. *A repair and/or replacement quotation will be provided prior to servicing at no charge.* Before returning the unit, please consult a factory IMI applications engineer concerning the situation as certain problems can often be corrected with simple on-site procedures.

Return Procedure

To expedite returned instrumentation, contact a factory IMI applications engineer for a RETURN MATERIAL AUTHORIZATION (RMA) NUMBER. Please have information available such as model and serial number. Also, to insure efficient service, *provide a written description of the symptoms and problems with the equipment to a local sales representative or distributor, or contact IMI if none are located in your area.*

Customers outside the U.S. should consult their local IMI distributor for information on returning equipment. For exceptions, please contact the International Sales department at IMI to request shipping instructions and an RMA. For assistance, please call (716) 684-0003, or fax us at (716) 684-3823. You may also receive assistance via e-mail at imi@pcb.com or visit our web site at www.pcb.com.

Customer Service

IMI, a division of PCB Piezotronics, guarantees **Total Customer Satisfaction**. If, at any time, for any reason, you are not completely satisfied with any IMI product, IMI will repair, replace, or exchange it at no charge. You may also choose to have your purchase price refunded.

IMI offers to all customers, at no charge, 24-hour phone support. This service makes product or application support available to our customers, day or night, seven days a week. When unforeseen problems or emergency situations arise, call the **IMI Hot Line at (716) 684-0003**, and an application specialist will assist you.

Model Number
EX686B71D

LOOP POWERED, CURRENT OUTPUT, INDUSTRIAL VIBRATION SENSOR

Revision: NR
ECN #: 51295

Performance

	ENGLISH	SI	
Alarm Threshold	0.25 to 5 in/sec pk	4.5 to 90 mm/s rms	
Frequency Range(± 3 dB)	420 to 60 kcpm	7 to 1,000 Hz	
Hysteresis(% < Alarm Threshold)	3; 6; or 10 %	3; 6; or 10 %	[1]
Residual Vibration Level(Reference)	Dependent or Independent	Dependent or Independent	[1]
Residual Vibration Level(% Alarm Threshold)	1 to 40 %	1 to 40 %	[1]
MAVT(Sets Alarm Threshold to 2X actual vibration)	Enabled or Disabled	Enabled or Disabled	[1]
Transverse Sensitivity	< 3 %	< 3 %	
Power On Delay(± 1 sec)	3 or 20 sec	3 or 20 sec	[1]
Startup Delay(± 1 sec or 1 min)(Time)	1 to 60 sec or 1 to 30 min	1 to 60 sec or 1 to 30 min	[1]
Startup Delay(x Alarm Threshold)	x2; x4; x8; Blocked	x2; x4; x8; Blocked	[1]
Startup Delay(Active)	Enabled or Disabled	Enabled or Disabled	[1]
Operational Delay(± 1 sec)	1 to 60 sec	1 to 60 sec	[1]
Relay(Type)	SPST, Form A or B MOSFET	SPST, Form A or B MOSFET	
Relay(Capacity)	24 to 240 V AC/DC, 500 mA	24 to 240 V AC/DC, 500 mA	
Relay(Latching)	Latching / Non-Latching	Latching / Non-Latching	[1]
Relay(Contacts)	Normally Open / Closed	Normally Open / Closed	[1]

Environmental

Temperature Range(Operating)	-40 to 185 °F	-40 to 85 °C
Temperature Range(Storage)	-40 to 257 °F	-40 to 125 °C
Overload Limit(Shock)	5,000 g pk	49,050 m/s ² pk
Enclosure Rating	IP65	IP65
Hazardous Area Approval	Ex d IIC T4 Gb, - 20°C ≤ Ta ≤ +80°C, II 2 G 20°C ≤ Ta ≤ +80°C, II 2 G	Ex d IIC T4 Gb, - 20°C ≤ Ta ≤ +80°C, II 2 G

Electrical

Power Required	24 to 240 V DC/AC 50/60 Hz	24 to 240 V DC/AC 50/60 Hz
Current Rating(Relay Closed)	500 mA	500 mA
Leak Current(Relay Open)	≤ 1 mA	≤ 1 mA
Electrical Isolation(Case)	> 10 ⁸ Ohm	> 10 ⁸ Ohm

Physical

Size (Hex x Height)	1.38 in x 3.68 in	1.38 in x 94 mm
Weight	7.0 oz	200 gm
Mounting Thread	1/4 NPT	No Metric Equivalent
Sensing Element(Internal)	Piezoelectric Accelerometer	Piezoelectric Accelerometer
Housing Material	Stainless Steel	Stainless Steel
Electrical Connector	Terminal Block	Terminal Block
Electrical Connection Position	Top	Top
Screw Terminal Wire Size	12-24 AWG	3.0 - .2mm ²
Conduit Housing Thread	1" NPT Female	No Metric Equivalent

OPTIONAL VERSIONS

Optional versions have identical specifications and accessories as listed for the standard model except where noted below. More than one option may be used.

EP - Explosion-proof certified conduit housing with 1" pipe thread

NOTES:

- [1] USB Programmable - See configuration sheet supplied with switch for exact setting.
- [2] See PCB Declaration of Conformance PS111 for details



All specifications are at room temperature unless otherwise specified.
In the interest of constant product improvement, we reserve the right to change specifications without notice.

Entered: LK	Engineer: gs	Sales: EGY	Approved: BAM	Spec Number:
Date: 11/18/2020	Date: 11/18/2020	Date: 11/18/2020	Date: 11/18/2020	74059

IMI SENSORS
A PCB PIEZOTRONICS DIV.
3425 Walden Avenue, Depew, NY 14043

Phone: 800-959-4464
Fax: 716-684-3823
E-Mail: imi@pcb.com

Repair and Maintenance

PCB guarantees Total Customer Satisfaction through its “Lifetime Warranty Plus” on all Platinum Stock Products sold by PCB and through its limited warranties on all other PCB Stock, Standard and Special products. Due to the sophisticated nature of our sensors and associated instrumentation, **field servicing and repair is not recommended and, if attempted, will void the factory warranty.**

Beyond routine calibration and battery replacements where applicable, our products require no user maintenance. Clean electrical connectors, housings, and mounting surfaces with solutions and techniques that will not harm the material of construction. Observe caution when using liquids near devices that are not hermetically sealed. Such devices should only be wiped with a dampened cloth—never saturated or submerged.

In the event that equipment becomes damaged or ceases to operate, our Application Engineers are here to support your troubleshooting efforts 24 hours a day, 7 days a week. Call or email with model and serial number as well as a brief description of the problem.

Calibration

Routine calibration of sensors and associated instrumentation is necessary to maintain measurement accuracy. We recommend calibrating on an annual basis, after exposure to any extreme environmental influence, or prior to any critical test.

PCB Piezotronics is an ISO-9001 certified company whose calibration services are accredited by A2LA to ISO/IEC 17025, with full traceability to SI through N.I.S.T. In addition to our standard calibration services, we also offer specialized tests, including: sensitivity at elevated or cryogenic temperatures, phase response, extended high or low frequency response, extended range, leak testing, hydrostatic pressure testing, and others. For more information, contact your local PCB Piezotronics distributor, sales representative, or factory customer service representative.

Returning Equipment

If factory repair is required, our representatives will provide you with a Return Material Authorization (RMA) number, which we use to reference any information you have already provided and expedite the repair process. This number should be clearly marked on the outside of all returned package(s) and on any packing list(s) accompanying the shipment.

Contact Information

PCB Piezotronics, Inc.
3425 Walden Ave.
Depew, NY14043 USA
Toll-free: (800) 828-8840
24-hour SensorLine: (716) 684-0001
General inquiries: info@pcb.com
Repair inquiries: rma@pcb.com

For a complete list of distributors, global offices and sales representatives, visit our website, www.pcb.com.

Safety Considerations

This product is intended for use by qualified personnel who recognize shock hazards and are familiar with the precautions required to avoid injury. While our equipment is designed with user safety in mind, the protection provided by the equipment may be impaired if equipment is used in a manner not specified by this manual.

Discontinue use and contact our 24-Hour Sensorline if:

- Assistance is needed to safely operate equipment
- Damage is visible or suspected
- Equipment fails or malfunctions

For complete equipment ratings, refer to the enclosed specification sheet for your product.

Definition of Terms and Symbols

The following symbols may be used in this manual:



DANGER

Indicates an immediate hazardous situation, which, if not avoided, may result in death or serious injury.

**CAUTION**

Refers to hazards that could damage the instrument.

**NOTE**

Indicates tips, recommendations and important information. The notes simplify processes and contain additional information on particular operating steps.

The following symbols may be found on the equipment described in this manual:



This symbol on the unit indicates that high voltage may be present. Use standard safety precautions to avoid personal contact with this voltage.



This symbol on the unit indicates that the user should refer to the operating instructions located in the manual.



This symbol indicates safety, earth ground.



PCB工业监视和测量设备 - 中国RoHS2公布表

PCB Industrial Monitoring and Measuring Equipment - China RoHS 2 Disclosure Table

部件名称	有害物质					
	铅 (Pb)	汞 (Hg)	镉 (Cd)	六价铬 (Cr(VI))	多溴联苯 (PBB)	多溴二苯醚 (PBDE)
住房	0	0	0	0	0	0
PCB板	X	0	0	0	0	0
电气连接器	0	0	0	0	0	0
压电晶体	X	0	0	0	0	0
环氧	0	0	0	0	0	0
铁氟龙	0	0	0	0	0	0
电子	0	0	0	0	0	0
厚膜基板	0	0	X	0	0	0
电线	0	0	0	0	0	0
电缆	X	0	0	0	0	0
塑料	0	0	0	0	0	0
焊接	X	0	0	0	0	0
铜合金/黄铜	X	0	0	0	0	0
本表格依据 SJ/T 11364 的规定编制。						
0：表示该有害物质在该部件所有均质材料中的含量均在 GB/T 26572 规定的限量要求以下。						
X：表示该有害物质至少在该部件的某一均质材料中的含量超出 GB/T 26572 规定的限量要求。						
铅是欧洲RoHS指令2011/65/ EU附件三和附件四目前由于允许的豁免。						

CHINA RoHS COMPLIANCE

Component Name	Hazardous Substances					
	Lead (Pb)	Mercury (Hg)	Cadmium (Cd)	Chromium VI Compounds (Cr(VI))	Polybrominated Biphenyls (PBB)	Polybrominated Diphenyl Ethers (PBDE)
Housing	O	O	O	O	O	O
PCB Board	X	O	O	O	O	O
Electrical Connectors	O	O	O	O	O	O
Piezoelectric Crystals	X	O	O	O	O	O
Epoxy	O	O	O	O	O	O
Teflon	O	O	O	O	O	O
Electronics	O	O	O	O	O	O
Thick Film Substrate	O	O	X	O	O	O
Wires	O	O	O	O	O	O
Cables	X	O	O	O	O	O
Plastic	O	O	O	O	O	O
Solder	X	O	O	O	O	O
Copper Alloy/Brass	X	O	O	O	O	O

This table is prepared in accordance with the provisions of SJ/T 11364.

O: Indicates that said hazardous substance contained in all of the homogeneous materials for this part is below the limit requirement of GB/T 26572.

X: Indicates that said hazardous substance contained in at least one of the homogeneous materials for this part is above the limit requirement of GB/T 26572.

Lead is present due to allowed exemption in Annex III or Annex IV of the European RoHS Directive 2011/65/EU.

Model Number 070A100	686 SERIES USB PROGRAMMER	Revision: NR ECN #: 46328
--------------------------------	----------------------------------	------------------------------

Performance	<u>ENGLISH</u>	<u>SI</u>
Cable Style	Multi Conductor - Shielded	Multi Conductor - Shielded
Number of Conductors	2	2
Connector Model(sensor side)	AE	AE
Connector Style(sensor side)	MIL-C-5015	MIL-C-5015
Connection Type(sensor side)	2-socket	2-socket
Coupling Method(sensor side)	Push-on	Push-on
Connector Style(termination)	USB 2.0 - 5VDC	USB 2.0 - 5VDC
Connection Type(termination)	USB Series A	USB Series A
Coupling Method(termination)	Push-on	Push-on
Physical		
Size (Length x Height x Width)(termination)	2.0 in x 0.5 in x 1.0 in	50.8 mm x 12.7 mm x 25.4 mm
Cable Jacket Diameter	0.16 in	4.1 mm
Cable Jacket Material	Polyurethane	Polyurethane
Cable Jacket Color	Black	Black
Weight	0.15 lb	70 g
Size (Length)(Cable Assembly)	3 ft	0.91 m
<i>All specifications are at room temperature unless otherwise specified. In the interest of constant product improvement, we reserve the right to change specifications without notice.</i>		

OPTIONAL VERSIONS

Optional versions have identical specifications and accessories as listed for the standard model except where noted below. More than one option may be used.

Entered: LK	Engineer: gs	Sales: MC	Approved: BAM	Spec Number:
Date: 1/24/2017	Date: 1/24/2017	Date: 1/24/2017	Date: 1/24/2017	66334



IMI Sensors
3425 Walden
Depew, NY 14043
UNITED STATES
Phone: 800-959-4464
Fax: 716-684-3823
E-Mail: imi@pcb.com
Web site: http://www.imi-sensors.com



Model EX686B71D

Intrinsically-safe, USB-programmable electronic vibration switch with terminal block, conduit elbow and ATEX d approval

Installation and Operating Manual

**For assistance with the operation of this product,
contact the PCB Piezotronics, Inc.**

Toll-free: 800-959-4464

24-hour SensorLine: 716-684-0001

Fax: 716-684-3823

E-mail: imi@pcb.com

Web: www.imi-sensors.com



Repair and Maintenance

PCB guarantees Total Customer Satisfaction through its “Lifetime Warranty Plus” on all Platinum Stock Products sold by PCB and through its limited warranties on all other PCB Stock, Standard and Special products. Due to the sophisticated nature of our sensors and associated instrumentation, **field servicing and repair is not recommended and, if attempted, will void the factory warranty.**

Beyond routine calibration and battery replacements where applicable, our products require no user maintenance. Clean electrical connectors, housings, and mounting surfaces with solutions and techniques that will not harm the material of construction. Observe caution when using liquids near devices that are not hermetically sealed. Such devices should only be wiped with a dampened cloth—never saturated or submerged.

In the event that equipment becomes damaged or ceases to operate, our Application Engineers are here to support your troubleshooting efforts 24 hours a day, 7 days a week. Call or email with model and serial number as well as a brief description of the problem.

Calibration

Routine calibration of sensors and associated instrumentation is necessary to maintain measurement accuracy. We recommend calibrating on an annual basis, after exposure to any extreme environmental influence, or prior to any critical test.

PCB Piezotronics is an ISO-9001 certified company whose calibration services are accredited by A2LA to ISO/IEC 17025, with full traceability to SI through N.I.S.T. In addition to our standard calibration services, we also offer specialized tests, including: sensitivity at elevated or cryogenic temperatures, phase response, extended high or low frequency response, extended range, leak testing, hydrostatic pressure testing, and others. For more information, contact your local PCB Piezotronics distributor, sales representative, or factory customer service representative.

Returning Equipment

If factory repair is required, our representatives will provide you with a Return Material Authorization (RMA) number, which we use to reference any information you have already provided and expedite the repair process. This number should be clearly marked on the outside of all returned package(s) and on any packing list(s) accompanying the shipment.

Contact Information

PCB Piezotronics, Inc.
3425 Walden Ave.
Depew, NY14043 USA
Toll-free: (800) 828-8840
24-hour SensorLine: (716) 684-0001
General inquiries: info@pcb.com
Repair inquiries: rma@pcb.com

For a complete list of distributors, global offices and sales representatives, visit our website, www.pcb.com.

Safety Considerations

This product is intended for use by qualified personnel who recognize shock hazards and are familiar with the precautions required to avoid injury. While our equipment is designed with user safety in mind, the protection provided by the equipment may be impaired if equipment is used in a manner not specified by this manual.

Discontinue use and contact our 24-Hour Sensorline if:

- Assistance is needed to safely operate equipment
- Damage is visible or suspected
- Equipment fails or malfunctions

For complete equipment ratings, refer to the enclosed specification sheet for your product.

Definition of Terms and Symbols

The following symbols may be used in this manual:



DANGER

Indicates an immediate hazardous situation, which, if not avoided, may result in death or serious injury.

**CAUTION**

Refers to hazards that could damage the instrument.

**NOTE**

Indicates tips, recommendations and important information. The notes simplify processes and contain additional information on particular operating steps.

The following symbols may be found on the equipment described in this manual:



This symbol on the unit indicates that high voltage may be present. Use standard safety precautions to avoid personal contact with this voltage.



This symbol on the unit indicates that the user should refer to the operating instructions located in the manual.



This symbol indicates safety, earth ground.



PCB工业监视和测量设备 - 中国RoHS2公布表

PCB Industrial Monitoring and Measuring Equipment - China RoHS 2 Disclosure Table

部件名称	有害物质					
	铅 (Pb)	汞 (Hg)	镉 (Cd)	六价铬 (Cr(VI))	多溴联苯 (PBB)	多溴二苯醚 (PBDE)
住房	0	0	0	0	0	0
PCB板	X	0	0	0	0	0
电气连接器	0	0	0	0	0	0
压电晶体	X	0	0	0	0	0
环氧	0	0	0	0	0	0
铁氟龙	0	0	0	0	0	0
电子	0	0	0	0	0	0
厚膜基板	0	0	X	0	0	0
电线	0	0	0	0	0	0
电缆	X	0	0	0	0	0
塑料	0	0	0	0	0	0
焊接	X	0	0	0	0	0
铜合金/黄铜	X	0	0	0	0	0
本表格依据 SJ/T 11364 的规定编制。						
0：表示该有害物质在该部件所有均质材料中的含量均在 GB/T 26572 规定的限量要求以下。						
X：表示该有害物质至少在该部件的某一均质材料中的含量超出 GB/T 26572 规定的限量要求。						
铅是欧洲RoHS指令2011/65/ EU附件三和附件四目前由于允许的豁免。						

CHINA RoHS COMPLIANCE

Component Name	Hazardous Substances					
	Lead (Pb)	Mercury (Hg)	Cadmium (Cd)	Chromium VI Compounds (Cr(VI))	Polybrominated Biphenyls (PBB)	Polybrominated Diphenyl Ethers (PBDE)
Housing	O	O	O	O	O	O
PCB Board	X	O	O	O	O	O
Electrical Connectors	O	O	O	O	O	O
Piezoelectric Crystals	X	O	O	O	O	O
Epoxy	O	O	O	O	O	O
Teflon	O	O	O	O	O	O
Electronics	O	O	O	O	O	O
Thick Film Substrate	O	O	X	O	O	O
Wires	O	O	O	O	O	O
Cables	X	O	O	O	O	O
Plastic	O	O	O	O	O	O
Solder	X	O	O	O	O	O
Copper Alloy/Brass	X	O	O	O	O	O

This table is prepared in accordance with the provisions of SJ/T 11364.

O: Indicates that said hazardous substance contained in all of the homogeneous materials for this part is below the limit requirement of GB/T 26572.

X: Indicates that said hazardous substance contained in at least one of the homogeneous materials for this part is above the limit requirement of GB/T 26572.

Lead is present due to allowed exemption in Annex III or Annex IV of the European RoHS Directive 2011/65/EU.

PCB Piezotronics Inc. claims proprietary rights in the information disclosed herein. Neither it nor any reproduction thereof will be disclosed to others without the written consent of PCB Piezotronics Inc.

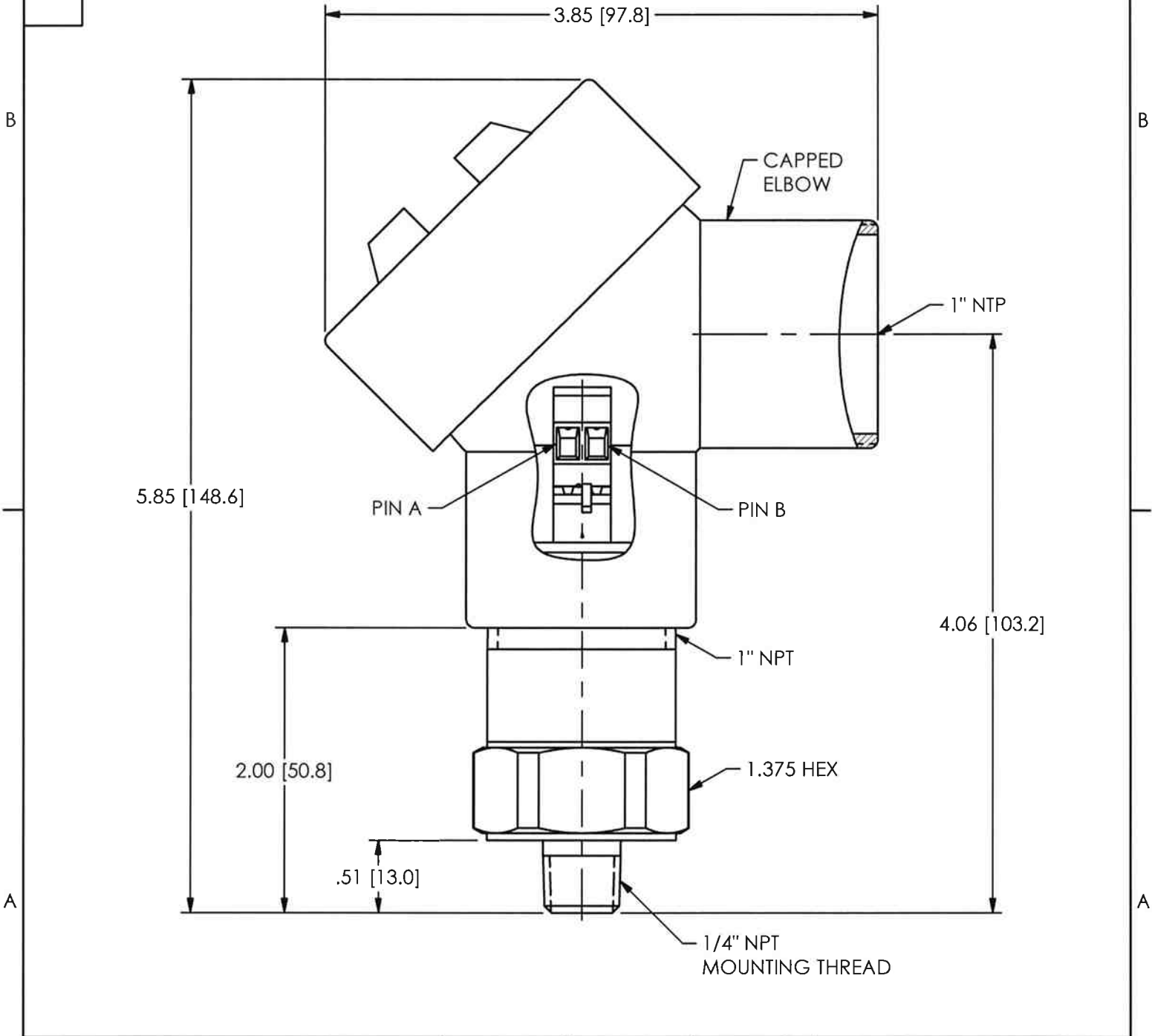
REVISIONS

REV	DESCRIPTION	ECO
A	ADDED RELATED STAMP	30762
B	UPDATE TITLE BLOCK	31223

42338

RELATED DRAWING

NO MODIFICATIONS PERMITTED WITHOUT THE APPROVAL OF THE AUTHORIZED PERSON



UNLESS OTHERWISE SPECIFIED TOLERANCES ARE:

DRAWN	CHECKED	ENGINEER
MDF 8/27/09	ECS 8/28/09	JJD 8/27/09

PCB PIEZOTRONICS
 3425 WALDEN AVE. DEPEW, NY 14043
 (716) 684-0001 E-MAIL: sales@pcb.com

DIMENSIONS IN INCHES	DIMENSIONS IN MILLIMETERS [IN BRACKETS]
DECIMALS XX ±.03 XXX ±.010	DECIMALS X ± 0.8 XX ± 0.25
ANGLES ± 2 DEGREES	ANGLES ± 2 DEGREES
FILLETS AND RADII .003 - .005	FILLETS AND RADII 0.07 - 0.13

TITLE
 OUTLINE DRAWING
 MODEL EP686B7X & EX686B7X
 VIBRATION SWITCH

CODE IDENT. NO. 52681	DWG. NO. 42338
SCALE: FULL	SHEET 1 OF 1

Repair and Maintenance

PCB guarantees Total Customer Satisfaction through its “Lifetime Warranty Plus” on all Platinum Stock Products sold by PCB and through its limited warranties on all other PCB Stock, Standard and Special products. Due to the sophisticated nature of our sensors and associated instrumentation, **field servicing and repair is not recommended and, if attempted, will void the factory warranty.**

Beyond routine calibration and battery replacements where applicable, our products require no user maintenance. Clean electrical connectors, housings, and mounting surfaces with solutions and techniques that will not harm the material of construction. Observe caution when using liquids near devices that are not hermetically sealed. Such devices should only be wiped with a dampened cloth—never saturated or submerged.

In the event that equipment becomes damaged or ceases to operate, our Application Engineers are here to support your troubleshooting efforts 24 hours a day, 7 days a week. Call or email with model and serial number as well as a brief description of the problem.

Calibration

Routine calibration of sensors and associated instrumentation is necessary to maintain measurement accuracy. We recommend calibrating on an annual basis, after exposure to any extreme environmental influence, or prior to any critical test.

PCB Piezotronics is an ISO-9001 certified company whose calibration services are accredited by A2LA to ISO/IEC 17025, with full traceability to SI through N.I.S.T. In addition to our standard calibration services, we also offer specialized tests, including: sensitivity at elevated or cryogenic temperatures, phase response, extended high or low frequency response, extended range, leak testing, hydrostatic pressure testing, and others. For more information, contact your local PCB Piezotronics distributor, sales representative, or factory customer service representative.

Returning Equipment

If factory repair is required, our representatives will provide you with a Return Material Authorization (RMA) number, which we use to reference any information you have already provided and expedite the repair process. This number should be clearly marked on the outside of all returned package(s) and on any packing list(s) accompanying the shipment.

Contact Information

PCB Piezotronics, Inc.
3425 Walden Ave.
Depew, NY14043 USA
Toll-free: (800) 828-8840
24-hour SensorLine: (716) 684-0001
General inquiries: info@pcb.com
Repair inquiries: rma@pcb.com

For a complete list of distributors, global offices and sales representatives, visit our website, www.pcb.com.

Safety Considerations

This product is intended for use by qualified personnel who recognize shock hazards and are familiar with the precautions required to avoid injury. While our equipment is designed with user safety in mind, the protection provided by the equipment may be impaired if equipment is used in a manner not specified by this manual.

Discontinue use and contact our 24-Hour Sensorline if:

- Assistance is needed to safely operate equipment
- Damage is visible or suspected
- Equipment fails or malfunctions

For complete equipment ratings, refer to the enclosed specification sheet for your product.

Definition of Terms and Symbols

The following symbols may be used in this manual:



DANGER

Indicates an immediate hazardous situation, which, if not avoided, may result in death or serious injury.

**CAUTION**

Refers to hazards that could damage the instrument.

**NOTE**

Indicates tips, recommendations and important information. The notes simplify processes and contain additional information on particular operating steps.

The following symbols may be found on the equipment described in this manual:



This symbol on the unit indicates that high voltage may be present. Use standard safety precautions to avoid personal contact with this voltage.



This symbol on the unit indicates that the user should refer to the operating instructions located in the manual.



This symbol indicates safety, earth ground.



PCB工业监视和测量设备 - 中国RoHS2公布表

PCB Industrial Monitoring and Measuring Equipment - China RoHS 2 Disclosure Table

部件名称	有害物质					
	铅 (Pb)	汞 (Hg)	镉 (Cd)	六价铬 (Cr(VI))	多溴联苯 (PBB)	多溴二苯醚 (PBDE)
住房	0	0	0	0	0	0
PCB板	X	0	0	0	0	0
电气连接器	0	0	0	0	0	0
压电晶体	X	0	0	0	0	0
环氧	0	0	0	0	0	0
铁氟龙	0	0	0	0	0	0
电子	0	0	0	0	0	0
厚膜基板	0	0	X	0	0	0
电线	0	0	0	0	0	0
电缆	X	0	0	0	0	0
塑料	0	0	0	0	0	0
焊接	X	0	0	0	0	0
铜合金/黄铜	X	0	0	0	0	0
本表格依据 SJ/T 11364 的规定编制。						
0：表示该有害物质在该部件所有均质材料中的含量均在 GB/T 26572 规定的限量要求以下。						
X：表示该有害物质至少在该部件的某一均质材料中的含量超出 GB/T 26572 规定的限量要求。						
铅是欧洲RoHS指令2011/65/ EU附件三和附件四目前由于允许的豁免。						

CHINA RoHS COMPLIANCE

Component Name	Hazardous Substances					
	Lead (Pb)	Mercury (Hg)	Cadmium (Cd)	Chromium VI Compounds (Cr(VI))	Polybrominated Biphenyls (PBB)	Polybrominated Diphenyl Ethers (PBDE)
Housing	O	O	O	O	O	O
PCB Board	X	O	O	O	O	O
Electrical Connectors	O	O	O	O	O	O
Piezoelectric Crystals	X	O	O	O	O	O
Epoxy	O	O	O	O	O	O
Teflon	O	O	O	O	O	O
Electronics	O	O	O	O	O	O
Thick Film Substrate	O	O	X	O	O	O
Wires	O	O	O	O	O	O
Cables	X	O	O	O	O	O
Plastic	O	O	O	O	O	O
Solder	X	O	O	O	O	O
Copper Alloy/Brass	X	O	O	O	O	O

This table is prepared in accordance with the provisions of SJ/T 11364.

O: Indicates that said hazardous substance contained in all of the homogeneous materials for this part is below the limit requirement of GB/T 26572.

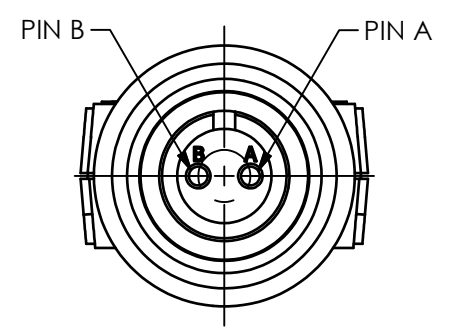
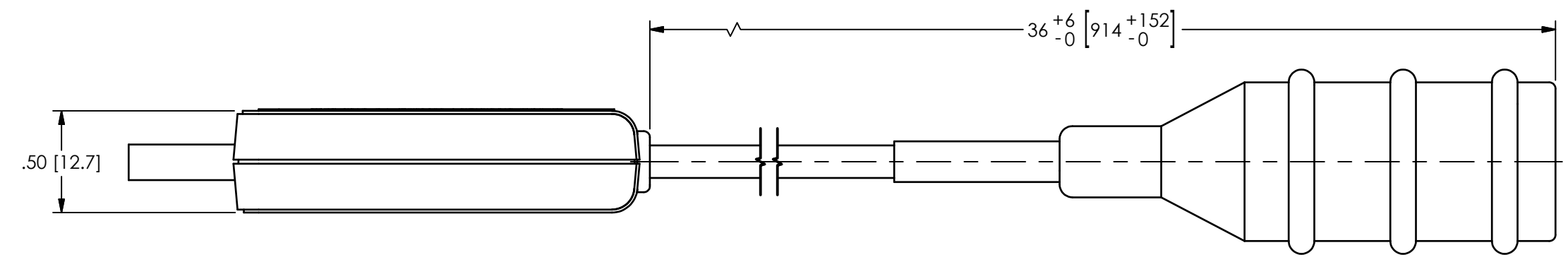
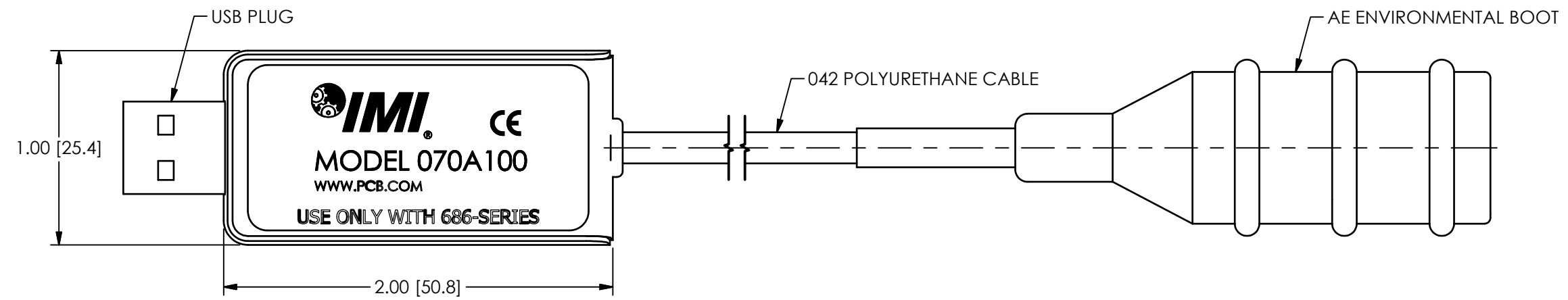
X: Indicates that said hazardous substance contained in at least one of the homogeneous materials for this part is above the limit requirement of GB/T 26572.

Lead is present due to allowed exemption in Annex III or Annex IV of the European RoHS Directive 2011/65/EU.

66335

PCB Piezotronics Inc. claims proprietary rights in the information disclosed hereon. Neither it nor any reproduction thereof will be disclosed to others without the written consent of PCB Piezotronics Inc.

REVISIONS		
REV	DESCRIPTION	DIN
A	UPDATED LABEL	47195



UNLESS OTHERWISE SPECIFIED TOLERANCES ARE:		DRAWN		CHECKED		ENGINEER	
DIMENSIONS IN INCHES	DIMENSIONS IN MILLIMETERS [IN BRACKETS]	ECB	10/10/17	ECB	10/10/17	GGG	10/10/17
DECIMALS XX ±.03 XXX ±.010	DECIMALS X ±0.8 XX ±0.25	TITLE OUTLINE DRAWING MODEL 070A100 PROGRAMER					
ANGLES ± 2 DEGREES	ANGLES ± 2 DEGREES						
FILLETS AND RADII .003 - .005	FILLETS AND RADII 0.07 - 0.13	CODE IDENT. NO. 52681		DWG. NO. 66335		3425 WALDEN AVE. DEPEW, NY 14043 (716) 684-0001 E-MAIL: sales@pcb.com	
		SCALE: 1.5X		SHEET 1 OF 1			





Model EX686B71D

Intrinsically-safe, USB-programmable electronic vibration switch with terminal block, conduit elbow and ATEX d approval

Installation and Operating Manual

**For assistance with the operation of this product,
contact the PCB Piezotronics, Inc.**

Toll-free: 800-959-4464

24-hour SensorLine: 716-684-0001

Fax: 716-684-3823

E-mail: imi@pcb.com

Web: www.imi-sensors.com



Repair and Maintenance

PCB guarantees Total Customer Satisfaction through its “Lifetime Warranty Plus” on all Platinum Stock Products sold by PCB and through its limited warranties on all other PCB Stock, Standard and Special products. Due to the sophisticated nature of our sensors and associated instrumentation, **field servicing and repair is not recommended and, if attempted, will void the factory warranty.**

Beyond routine calibration and battery replacements where applicable, our products require no user maintenance. Clean electrical connectors, housings, and mounting surfaces with solutions and techniques that will not harm the material of construction. Observe caution when using liquids near devices that are not hermetically sealed. Such devices should only be wiped with a dampened cloth—never saturated or submerged.

In the event that equipment becomes damaged or ceases to operate, our Application Engineers are here to support your troubleshooting efforts 24 hours a day, 7 days a week. Call or email with model and serial number as well as a brief description of the problem.

Calibration

Routine calibration of sensors and associated instrumentation is necessary to maintain measurement accuracy. We recommend calibrating on an annual basis, after exposure to any extreme environmental influence, or prior to any critical test.

PCB Piezotronics is an ISO-9001 certified company whose calibration services are accredited by A2LA to ISO/IEC 17025, with full traceability to SI through N.I.S.T. In addition to our standard calibration services, we also offer specialized tests, including: sensitivity at elevated or cryogenic temperatures, phase response, extended high or low frequency response, extended range, leak testing, hydrostatic pressure testing, and others. For more information, contact your local PCB Piezotronics distributor, sales representative, or factory customer service representative.

Returning Equipment

If factory repair is required, our representatives will provide you with a Return Material Authorization (RMA) number, which we use to reference any information you have already provided and expedite the repair process. This number should be clearly marked on the outside of all returned package(s) and on any packing list(s) accompanying the shipment.

Contact Information

PCB Piezotronics, Inc.
3425 Walden Ave.
Depew, NY14043 USA
Toll-free: (800) 828-8840
24-hour SensorLine: (716) 684-0001
General inquiries: info@pcb.com
Repair inquiries: rma@pcb.com

For a complete list of distributors, global offices and sales representatives, visit our website, www.pcb.com.

Safety Considerations

This product is intended for use by qualified personnel who recognize shock hazards and are familiar with the precautions required to avoid injury. While our equipment is designed with user safety in mind, the protection provided by the equipment may be impaired if equipment is used in a manner not specified by this manual.

Discontinue use and contact our 24-Hour Sensorline if:

- Assistance is needed to safely operate equipment
- Damage is visible or suspected
- Equipment fails or malfunctions

For complete equipment ratings, refer to the enclosed specification sheet for your product.

Definition of Terms and Symbols

The following symbols may be used in this manual:



DANGER

Indicates an immediate hazardous situation, which, if not avoided, may result in death or serious injury.

**CAUTION**

Refers to hazards that could damage the instrument.

**NOTE**

Indicates tips, recommendations and important information. The notes simplify processes and contain additional information on particular operating steps.

The following symbols may be found on the equipment described in this manual:



This symbol on the unit indicates that high voltage may be present. Use standard safety precautions to avoid personal contact with this voltage.



This symbol on the unit indicates that the user should refer to the operating instructions located in the manual.



This symbol indicates safety, earth ground.



PCB工业监视和测量设备 - 中国RoHS2公布表

PCB Industrial Monitoring and Measuring Equipment - China RoHS 2 Disclosure Table

部件名称	有害物质					
	铅 (Pb)	汞 (Hg)	镉 (Cd)	六价铬 (Cr(VI))	多溴联苯 (PBB)	多溴二苯醚 (PBDE)
住房	0	0	0	0	0	0
PCB板	X	0	0	0	0	0
电气连接器	0	0	0	0	0	0
压电晶体	X	0	0	0	0	0
环氧	0	0	0	0	0	0
铁氟龙	0	0	0	0	0	0
电子	0	0	0	0	0	0
厚膜基板	0	0	X	0	0	0
电线	0	0	0	0	0	0
电缆	X	0	0	0	0	0
塑料	0	0	0	0	0	0
焊接	X	0	0	0	0	0
铜合金/黄铜	X	0	0	0	0	0
本表格依据 SJ/T 11364 的规定编制。						
0：表示该有害物质在该部件所有均质材料中的含量均在 GB/T 26572 规定的限量要求以下。						
X：表示该有害物质至少在该部件的某一均质材料中的含量超出 GB/T 26572 规定的限量要求。						
铅是欧洲RoHS指令2011/65/ EU附件三和附件四目前由于允许的豁免。						

CHINA RoHS COMPLIANCE

Component Name	Hazardous Substances					
	Lead (Pb)	Mercury (Hg)	Cadmium (Cd)	Chromium VI Compounds (Cr(VI))	Polybrominated Biphenyls (PBB)	Polybrominated Diphenyl Ethers (PBDE)
Housing	O	O	O	O	O	O
PCB Board	X	O	O	O	O	O
Electrical Connectors	O	O	O	O	O	O
Piezoelectric Crystals	X	O	O	O	O	O
Epoxy	O	O	O	O	O	O
Teflon	O	O	O	O	O	O
Electronics	O	O	O	O	O	O
Thick Film Substrate	O	O	X	O	O	O
Wires	O	O	O	O	O	O
Cables	X	O	O	O	O	O
Plastic	O	O	O	O	O	O
Solder	X	O	O	O	O	O
Copper Alloy/Brass	X	O	O	O	O	O

This table is prepared in accordance with the provisions of SJ/T 11364.

O: Indicates that said hazardous substance contained in all of the homogeneous materials for this part is below the limit requirement of GB/T 26572.

X: Indicates that said hazardous substance contained in at least one of the homogeneous materials for this part is above the limit requirement of GB/T 26572.

Lead is present due to allowed exemption in Annex III or Annex IV of the European RoHS Directive 2011/65/EU.



Certificate of Compliance

Certificate: 2033214

Master Contract: 184981

Project: 80020282

Date Issued: 2019-12-19

Issued To: PCB Piezotronics
3425 Walden Ave
Depew, New York, 14043
United States

Attention: Carrie Termin

The products listed below are eligible to bear the CSA Mark shown with adjacent indicators 'C' and 'US' for Canada and US or with adjacent indicator 'US' for US only or without either indicator for Canada only.



Issued by: *Thong Tong*
Thong Tong

PRODUCTS

CLASS - C225803 - PROCESS CONTROL EQUIPMENT - Intrinsically Safe and Non Incendive Systems - For Hazardous Locations

CLASS - C225883 - PROCESS CONTROL EQUIPMENT-Intrinsically Safe and Non-Incendive Systems-For Hazardous Locations-Certified to U.S. Standards

Ex nL IIC T3:

AEx nA IIC T3:

Class I, Div. 2, Groups A, B, C, D:

Models EX686X0x Vibration Sensors, input rated 12-30 Vdc max, 1 mA consumption, 100 mA max. flow-through; non-incendive with entity parameters of: U_i (V max) = 30V, I_i (I max) = 100mA, P_i (Pmax) = 1W, C_i = 0, L_i = 28 uH; when installed per installation Dwg 39483; Temp Code T3 @ Max Ambient 85 Deg C.

Models EX686X1y and EX686X6y Vibration Sensors, input rated 12-30 Vdc max, 1 mA consumption, 100 mA max. flow-through; non-incendive with entity parameters of: U_i (V max) = 30V, I_i (I max) = 100mA, P_i (Pmax)



Certificate: 2033214
Project: 80020282

Master Contract: 184981
Date Issued: 2019-12-19

= 1W, Ci = 61 nF, Li = 333 μ H; when installed per installation Dwg 39483; Temp Code T3 @ Max Ambient 85 Deg C.

Notes:

1. For Canadian Installations, sensor case must be bonded to ground according to Section 18 of the CEC, Part 1.
2. For US Installations, sensor case must be bonded to ground according to Articles 501 and 505 of the NEC.
3. Letter X following product identifier number EX686 may be a capital letter from B to Z denoting Model revision level for minor revisions restricted to changes of values of capacitors and resistors within the approval limits specified on control drawing 39481 page 1 and 2. The "x" or "y" in the model code may be a number from 0 thru 9 which denotes variations in frequency response, sensitivity, and mounting configuration of the sensors.
4. An alphanumeric code (-XXXXX) following the Model Number indicates cable length and termination. Cable length not to exceed 304.5m (999ft).

CLASS 2258 02 - PROCESS CONTROL EQUIPMENT - For Hazardous Locations

CLASS 2258 82 - PROCESS CONTROL EQUIPMENT - For Hazardous Locations - CERTIFIED TO U.S. STANDARDS

4.

Ex nA IICT3:

AEx nA IIC T3:

Class I, Div. 2, Groups A, B, C, D:

Models EX686X7x Vibration Sensors, input rated 24-240 Vdc, 1 mA consumption, 500 mA max. flow-through; 24-240 Vac, 50/60 Hz, 1 mA consumption, 500 mA max. flow-through; suitable for use in Class I, Div. 2 or Class I, Zone 2 locations, when installed per installation Dwg 39486; Temp Code T3 @ Max Ambient 85 Deg C.

Models EX686Xyyyyyy6 Vibration Sensors, input rated 24-240 Vdc, 1 mA consumption, 500 mA max. flow-through; 24-240 Vac, 50/60 Hz, 1 mA consumption, 500 mA max. flow-through; suitable for use in Class I, Div. 2 or Class I, Zone 2 locations, when installed per installation Dwg 39486; Temp Code T3 @ Max Ambient 85 Deg C.

Notes:

1. Sensor must be installed in a suitable enclosure, acceptable to the local inspection authority having jurisdiction.
2. Letter X following product identifier number EX686 may be a capital letter from B to Z denoting Model revision level for minor revisions restricted to changes of values of capacitors and resistors within the approval limits specified on control drawing 39481 page 1 and 2. The "x" in the model code may be a number from 0 thru 9 which denotes variations in frequency response, sensitivity, and mounting configuration of the sensors.



Certificate: 2033214
Project: 80020282

Master Contract: 184981
Date Issued: 2019-12-19

3. An alphanumeric code (-XXXXX) following the Model Number indicates cable length and termination. Cable length not to exceed 304.5m (999ft).
4. The “yyyyy” in the model code may be a number from 0 thru 9 which denotes variations in frequency response, sensitivity, and mounting configuration of the sensors.

APPLICABLE REQUIREMENTS

CAN/CSA-C22.2 No. 0-M91	- General Requirements – Canadian Electrical Code, Part II
C22.2 No. 142-M1987	- Process Control Equipment
C22.2 No. 213-M1987	- Non-Incendive Electrical Equipment for Use in Class I, Division 2 Hazardous Locations
UL 916 (3 rd Ed.)	- Energy Management Equipment
UL 1604 (3 rd Ed.)	- Electrical Equipment for Use in Class I and II, Division 2; Class III Hazardous (Classified) Locations
ANSI/ISA 12.12.01-2007	- Nonincendive Electrical Equipment for Use in Class I and II, Division 2 and Class III, Divisions 1 and 2 Hazardous (Classified) Locations
CAN/CSA-E60079-15:02	- Electrical apparatus for explosive gas atmospheres - Part 15: Type of Protection "n"
ANSI/UL 60079-15:02	- Electrical apparatus for Explosive Gas Atmospheres - Part 15: Type of Protection “n”

MARKINGS

The manufacturer is required to apply the following markings:

- Products shall be marked with the markings specified by the particular product standard.
- Products certified for Canada shall have all Caution and Warning markings in both English and French.

Additional bilingual markings not covered by the product standard(s) may be required by the Authorities Having Jurisdiction. It is the responsibility of the manufacturer to provide and apply these additional markings, where applicable, in accordance with the requirements of those authorities.

The products listed are eligible to bear the CSA Mark shown with adjacent indicators 'C' and 'US' for Canada and US (indicating that products have been manufactured to the requirements of both Canadian and U.S. Standards) or with adjacent indicator 'US' for US only or without either indicator for Canada only.

Markings are etched directly into the Sensor enclosure body. The following marking details appear:

Div. 2 Non-Incendive models

- CSA Monogram with C US indicator.



Certificate: 2033214
Project: 80020282

Master Contract: 184981
Date Issued: 2019-12-19

- Submitter Identification
- Model Number
- Serial Number, Date Code or Month and Year of Manufacture
- Electrical Rating
- Hazardous Location Designation (ie Ex nL IICT4, AEx nA IICT4, Class I, Div. 2, Groups A, B, C and D)
(In addition to these required markings, the following optional markings may also appear: Class I, Zone 2, Group IIC, T4)
- Certificate # reference (ie. 2008 2033214)
- "WARNING – EXPLOSION HAZARD. DO NOT CONNECT OR DISCONNECT WHEN ENERGIZED." or equivalent.
- "AVERTISSEMENT – RISQUE D'EXPLOSION. NE PAS BRANCHER NI DÉBRANCHER SOUS TENSION." or equivalent.

Div. 2 Non-arcing models (.....X7x)

- CSA Monogram with C US indicator.
- Submitter Identification
- Model Number
- Serial Number, Date Code or Month and Year of Manufacture
- Electrical Rating
- Hazardous Location Designation (ie Ex nA IIC T3, AExnA IICT3, Class I, Div. 2, Groups A, B, C and D)
(In addition to these required markings, the following optional markings may also appear: Class I, Zone 2, Group IIC, T3)
- Certificate # reference (ie. 2008 2033214 X)
- "WARNING – EXPLOSION HAZARD. DO NOT CONNECT OR DISCONNECT WHEN ENERGIZED." or equivalent.
- "AVERTISSEMENT – RISQUE D'EXPLOSION. NE PAS BRANCHER NI DÉBRANCHER SOUS TENSION." or equivalent.

ALTERATIONS

1. Markings as above appear.
2. Internal wiring is rated for temperatures of 200 Deg. C.



Supplement to Certificate of Compliance

Certificate: 2033214

Master Contract: 184981

*The products listed, including the latest revision described below,
are eligible to be marked in accordance with the referenced Certificate.*

Product Certification History

Project	Date	Description
80020282	2019-12-19	Update to CSA report 2033214 to change Model EX686B to EX686X to allow minor modifications.
0002033214	2008-09-25	Model EX686B Series Vibration sensors for Class I, Div. 2, and Zone 2 hazardous locations - North America



LCIE

1 **ATTESTATION D'EXAMEN DE TYPE VOLONTAIRE**

- 2 **Appareil** destiné à être utilisé en atmosphères explosibles (Directive 94/9/CE)
- 3 Numéro de l'attestation d'examen de type LCIE 10 ATEX 1008 X
- 4 Appareil
Capteur de vibrations
Type : EX686B series
- 5 Demandeur : PCB Piezotronics
Adresse : 3425 Walden Avenue
Depew, New York 14043 USA
- 7 Cet appareil et ses variantes éventuelles acceptées sont décrits dans l'annexe de la présente attestation et dans les documents descriptifs cités en référence.
- 8 Le LCIE certifie que cet appareil est conforme aux exigences essentielles de sécurité et de santé pour la conception d'appareils, électriques de catégorie 3 ou non électriques de catégorie 2 et 3, destinés à être utilisés en atmosphères explosibles, données dans l'annexe II de la directive 94/9/CE du Parlement européen et du Conseil du 23 mars 1994.

Les résultats des vérifications et essais figurent dans le rapport confidentiel N° 93796/586962.
- 9 Le respect des exigences essentielles de sécurité et de santé est assuré par la conformité à :
- EN 60079-0 (2006)
- EN 60079-15 (2005)
- 10 Le signe X lorsqu'il est placé à la suite du numéro de l'attestation, indique que cet appareil est soumis aux conditions spéciales pour une utilisation sûre, mentionnées dans l'annexe de la présente attestation.
- 11 Cette attestation d'examen de type concerne uniquement la conception, les vérifications et essais de l'appareil de spécifié, conformément à l'annexe VIII la directive 94/9/CE. Des exigences supplémentaires de la directive sont applicables pour la fabrication et la fourniture de l'appareil. Ces dernières ne sont pas couvertes par la présente attestation.
- 12 Le marquage de l'appareil doit comporter les informations détaillées au point 15.

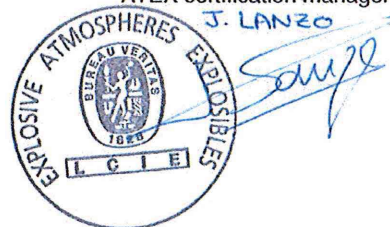
Fontenay-aux-Roses, le 9 août 2010

1 **VOLUNTARY TYPE EXAMINATION CERTIFICATE**

- 2 **Equipment** intended for use in potentially explosive atmospheres (Directive 94/9/EC)
- 3 Type Examination Certificate number LCIE 10 ATEX 1008 X
- 4 Equipment
Vibration sensors
Type : EX686B series
- 5 applicant : PCB Piezotronics
Address : 3425 Walden Avenue
Depew, New York 14043 USA
- 7 This equipment and any acceptable variation thereto is specified in the schedule to this certificate and the documents therein referred to.
- 8 LCIE certifies that this equipment has been found to comply with the essential Health and Safety Requirements that relate to the design of equipment, of category 3 electrical or categories 2 and 3 non electrical, which is intended for use in potentially explosive atmospheres, given in Annex II of the Directive 94/9/EC of the European Parliament and Council of 23 March 1994.

The examination and test results are recorded in confidential report N° 93796/586962.
- 9 Compliance with the Essential Health and Safety Requirements has been assured by reference to :
- EN 60079-0 (2006)
- EN 60079-15 (2005)
- 10 If the sign X is placed after the certificate number, it indicates that the equipment is subject to special conditions for safe use specified in the schedule to this certificate.
- 11 This type examination certificate relates only to the design, examination and tests of this specified equipment, in accordance with annex VIII to the directive 94/9/EC. Further requirements of the Directive may apply to the manufacturing process and supply of this equipment. These are not covered by this certificate.
- 12 The marking of the equipment shall include information as detailed at 15.

Le responsable de certification ATEX
ATEX certification manager



Seul le texte en français peut engager la responsabilité du LCIE. Ce document ne peut être reproduit que dans son intégralité, sans aucune modification
The LCIE's liability applies only on the French text. This document may only be reproduced in its entirety and without any change



LCIE



13 ANNEXE

14 ATTESTATION D'EXAMEN DE TYPE VOLONTAIRE

LCIE 10 ATEX 1008 X

15 DESCRIPTION DE L'APPAREIL

Capteur de vibrations
Type : EX686B series

Le capteur de vibrations piézo-électrique utilise un cristal pour convertir une mesure de vibration mécanique en un signal électrique.

Le capteur est en une seule partie, consistant en une enveloppe métallique étanche, contenant un ensemble piézo-cristal et un amplificateur.

Paramètres spécifiques du ou des modes de protection concernés :

12-30VDC ou 24VDC/VAC-240VDC/VAC

Le marquage doit être :

Modèles EX686Bxxxxxx :

PCB Piezotronics Adresse : ...

Type : EX686Bxxxxxx (1)

Numéro de fabrication : ...

Date de fabrication : ...

Ex II 3G

Ex nL IIC T3

LCIE 10 ATEX 1008 X

T amb : -54°C à + 85°C

(1) complété avec le modèle

Modèles EX686B7xxxxxx et

EX686Byyyyyy6 :

PCB Piezotronics Adresse : ...

Type : EX686B7xxxxxx ou EX686Byyyyyy6 (1)

Numéro de fabrication : ...

Année de fabrication : ...

Ex II 3G

Ex nA II T3

LCIE 10 ATEX 1008 X

T amb : -54°C à + 85°C

(1) complété avec le modèle

L'appareil doit également comporter le marquage normalement prévu par les normes de construction qui le concerne.

16 DOCUMENTS DESCRIPTIFS

Dossier technique n° 44999 rév.NR du 16/12/09.

Ce document comprend 8 rubriques (16 pages).

17 CONDITIONS SPECIALES POUR UNE UTILISATION SÛRE

Température ambiante d'utilisation : -54°C à +85°C.

Le matériel ne doit être raccordé qu'à un équipement dont les paramètres électriques sont compatibles aux valeurs mentionnées au paragraphe 15.

13 SCHEDULE

14 VOLUNTARY TYPE EXAMINATION CERTIFICATE

LCIE 10 ATEX 1008 X

15 DESCRIPTION OF EQUIPMENT

Vibrations sensor
Type : EX686B series

The model piezoelectric vibration sensor utilize a crystal to convert a mechanical vibration measurement into an electric signal.

The sensor is 1-piece assembly, consisting of a sealed metal housing, containing the piezo-crystal assembly and the charge amplifier.

Specific parameters of the mode(s) of protection concerned :

12-30VDC or 24VDC/VAC-240VDC/VAC

The marking shall be :

Models EX686Bxxxxxx :

PCB Piezotronics Address : ...

Type : EX686Bxxxxxx (1)

Serial number : ...

Year of construction : ...

Ex II 3G

Ex nL IIC T3

LCIE 10 ATEX 1008 X

T amb : -54°C to + 85°C

(1) completed with the model

Models EX686B7xxxxxx and

EX686Byyyyyy6 :

PCB Piezotronics Adresse : ...

Type : EX686B7xxxxxx or EX686Byyyyyy6 (1)

Serial number : ...

Year of construction : ...

Ex II 3G

Ex nA II T3

LCIE 10 ATEX 1008 X

T amb : -54°C to + 85°C

(1) completed with the model

The equipment shall also bear the usual marking required by the manufacturing standards applying to such equipment.

16 DESCRIPTIVE DOCUMENTS

Technical file n° 44999 rev.NR dated 12/16/09.

This file includes 8 items (16 pages).

17 SPECIAL CONDITIONS FOR SAFE USE

Operating ambient temperature : -54°C to +85°C

The apparatus must be only connected to an equipment whose electrical parameters are compatible with the values mentioned clause 15.

MEg

11/20/09



LCIE

13 ANNEXE (suite)

14 ATTESTATION D'EXAMEN DE TYPE VOLONTAIRE

LCIE 10 ATEX 1008 X

18 EXIGENCES ESSENTIELLES DE SECURITE ET DE SANTE

Couvertes par les normes listées au point 9.

19 VERIFICATIONS ET ESSAIS INDIVIDUELS

Chaque appareil doit être soumis à un essai de rigidité diélectrique pendant 1 minute sous une tension sinusoïdale de 50 Hz et d'une valeur de 1500V appliquée entre les fils de raccordement et le corps de l'appareil.

20 CONDITIONS DE CERTIFICATION

Les détenteurs d'attestations d'examen de type doivent également satisfaire les exigences de contrôle de production telles que définies au paragraphe 5 de l'annexe VIII de la directive 94/9/CE.

13 SCHEDULE (continued)

14 VOLUNTARY TYPE EXAMINATION CERTIFICATE

LCIE 10 ATEX 1008 X

18 ESSENTIAL HEALTH AND SAFETY REQUIREMENTS

Covered by standards listed at 9.

19 ROUTINE VERIFICATIONS AND TESTS

Each apparatus must be submitted to a dielectric strength test during 1 minute, with a sine-shaped voltage at 50 Hz of 1500 V r.m.s. between the wires of the cable and the body of the apparatus.

20 CONDITIONS OF CERTIFICATION

Holders of type examination certificates are also required to comply with the production control requirements defined in paragraph 5 of annex VIII of directive 94/9/EC.

641

11/18

EU Declaration of Conformity PS111

In Accordance with ISO/IEC 17050

Manufacturer:
PCB Piezotronics, Inc.
3425 Walden Avenue
Depew, New York 14043
USA

Authorized European Representative:
PCB Piezotronics Europe GmbH
Porschestraße 20-30
41836 Hückelhoven
Germany

Certifies that type of equipment: **Vibration Sensor(s)**

Whose Product Models Include: **EX (RV) (TO) (M) 64xB7yD**
 EX (RV) (TO) (M) 649A7yD
 EX (RV) (TO) (M) 686B7yD

Note: "x" or "y" denotes a number from 0-9 to signify changes in sensitivity, filtering and/ or programming.

This declaration is applicable to all Vibration Sensor(s) of the above series which have the CE & (EX) ATEX mark on their data sheets and where those data sheets refer to this declaration of conformity. The data sheets for all model numbers referenced above, which include the CE & (EX) ATEX mark on such data sheets and refer to this Declaration of Conformity are hereby incorporated by reference into this Declaration.

Conform to the following EU Directive(s) when installed per product documentation:	2014/30/EU 2011/65/EU w/2015/863/EU 2014/34/EU	EMC Directive RoHS Directive ATEX Directive
--	--	---

Standards to which Conformity is Declared:

Harmonized Standards	EN 61326-1:2013 EN 61326-2-3: 2013 EN 61010-1:2010 EN 61010-1:2010/A1:2019/AC:2019-04 EN 61010-1:2010/A1:2019 EN 60079-0:2018 EN 60079-1:2014 EN 63000:2018	Electrical Equipment for Measurement, Control and Laboratory Use- EMC requirements - Part 1: General requirements Electrical equipment for measurement, control and laboratory use - EMC requirements - Part 2-3: Particular requirements - Test configuration, operational conditions and performance criteria for transducers with integrated or remote signal conditioning Safety and EMC requirements for electrical equipment in a laboratory setting. General Explosive Atmosphere Explosive atmospheres. Equipment protection by flameproof enclosures "d" Technical documentation for the assessment of electrical and electronic products with respect to the restriction of hazardous substances
Emissions Test Standards	EN 55011:2016, EN 55011:2016/A1:2017 EN 55011:2016/A11:2020	Industrial, scientific and medical (ISM) radio frequency equipment-Electromagnetic disturbance characteristics- Limits and methods of Measurement Class B
Other Standards Applied (non-OJEU)	EN 61000-4-2:2009 EN 61000-4-3:2006+A2:2010	Electromagnetic compatibility (EMC)—Part 4–2: Testing and measuring techniques— Electrostatic discharge immunity test

Immunity Test Standards	EN 61000-4-4:2012 EN 61000-4-5:2014 EN 61000-4-6:2014 EN 61000-4-8:2010 EN 61000-4-11:2004	Electromagnetic compatibility (EMC) - Part 4-3: Testing and measurement techniques - Radiated, radio-frequency, electromagnetic field immunity test Electromagnetic compatibility (EMC) - Part 4-4: Testing and measurement techniques - Electrical fast transient/burst immunity test Electromagnetic compatibility (EMC) - Part 4-5: Testing and measurement techniques - Surge immunity test Electromagnetic compatibility (EMC) - Part 4-6: Testing and measurement techniques - Immunity to conducted disturbances, induced by radio-frequency fields Electromagnetic compatibility (EMC) - Part 4-8: Testing and measurement techniques - Power frequency magnetic field immunity test Electromagnetic compatibility (EMC) - Part 4-11: Testing and measurement techniques - Voltage dips, short interruptions and voltage variations immunity tests
Test Reports	EMC Reports Safety Reports	GM29032c, GM29045c, GM27047c GM29033s, GM29046s, GM27048s
EC Type Examination	ATEX Certification	LCIE 11 ATEX 3024 Model EX (RV) (TO) (M) 64x Ex d IIC T4 Gb, II 2G Model EX (RV) (TO) (M) 649 Ex d IIC T4 Gb, II 2G Model EX (RV) (TO) (M) 686 Ex d IIC T3 Gb, II 2G
Voluntary Certification	Voluntary Type Examination Certificate	LCIE 10 ATEX 1008 X Models EX686Bxxxxxxx Ex nL IIC T3, II 3G Models EX 686B7xxxxxx and EX686Byyyyyy6 Ex nA II T3, II 3G
Other International Certifications	IECEX Certification	IECEX LCI 11.0022 Model EX (RV) (TO) (M) 64x Ex d IIC T4 Gb Model EX (RV) (TO) (M) 649 Ex d IIC T4 Gb Model EX (RV) (TO) (M) 686 Ex d IIC T3 Gb
Notified Body Name		Laboratoire Central des Industries Electriques (0081)
Notified Body's Address		FONTENAY-AUX-ROSES (Head Office) 33 Avenue du Général Leclerc FR- 92260 Fontenay-aux-Roses Tel. : + 33 1 40 95 60 60 Fax : + 33 1 40 95 86 56

I, the undersigned, hereby declare that the equipment specified above conforms to the above Directive(s) Standard(s)

Place: Depew, NY Date: 03/15/2023

Signature:



Name: Wendy Willard

Title: Regulatory Affairs and Product Certification Specialist



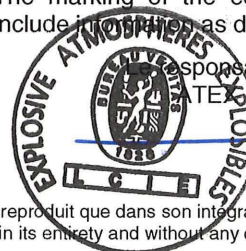
L C I E

- | | |
|--|---|
| <p>1 ATTESTATION D'EXAMEN CE DE TYPE</p> <p>2 Appareil ou système de protection destiné à être utilisé en atmosphères explosibles (Directive 94/9/CE)</p> <p>3 Numéro de l'attestation d'examen CE de type LCIE 11 ATEX 3024</p> <p>4 Appareil ou système de protection :
 Capteurs de vibration
 Type :
 EX (RV) (TO) (M) 64x
 EX (RV) (TO) (M) 649
 EX (RV) (TO) (M) 686</p> <p>5 Demandeur : IMI SENSORS
 Adresse : 3425 Walden Avenue
 Depew, New York 14043 USA</p> <p>6 Fabricant : IMI SENSORS
 Adresse : 3425 Walden Avenue
 Depew, New York 14043 USA</p> <p>7 Cet appareil ou système de protection et ses variantes éventuelles acceptées sont décrits dans l'annexe de la présente attestation et dans les documents descriptifs cités en référence.</p> <p>8 Le LCIE, organisme notifié sous la référence 0081 conformément à l'article 9 de la directive 94/9/CE du Parlement européen et du Conseil du 23 mars 1994, certifie que cet appareil ou système de protection est conforme aux exigences essentielles de sécurité et de santé pour la conception et la construction d'appareils et de systèmes de protection destinés à être utilisés en atmosphères explosibles, données dans l'annexe II de la directive.
Les résultats des vérifications et essais figurent dans le rapport confidentiel N° 98678-595924.</p> <p>9 Le respect des exigences essentielles de sécurité et de santé est assuré par la conformité à :
- EN 60079-0 (2009) - EN 60079-1 (2007)</p> <p>10 Le signe X lorsqu'il est placé à la suite du numéro de l'attestation, indique que cet appareil ou système de protection est soumis aux conditions spéciales pour une utilisation sûre, mentionnées dans l'annexe de la présente attestation.</p> <p>11 Cette attestation d'examen CE de type concerne uniquement la conception et la construction de l'appareil ou du système de protection spécifié, conformément à l'annexe III de la directive 94/9/CE.
Des exigences supplémentaires de la directive sont applicables pour la fabrication et la fourniture de l'appareil ou du système de protection. Ces dernières ne sont pas couvertes par la présente attestation.</p> <p>12 Le marquage de l'appareil ou du système de protection doit comporter les informations détaillées au point 15.</p> | <p>1 EC TYPE EXAMINATION CERTIFICATE</p> <p>2 Equipment or protective system intended for use in potentially explosive atmospheres (Directive 94/9/EC)</p> <p>3 EC type examination certificate number LCIE 11 ATEX 3024</p> <p>4 Equipment or protective system :
 Vibration sensors
 Type :
 EX (RV) (TO) (M) 64x
 EX (RV) (TO) (M) 649
 EX (RV) (TO) (M) 686</p> <p>5 Applicant : IMI SENSORS
 Address : 3425 Walden Avenue
 Depew, New York 14043 USA</p> <p>6 Manufacturer : IMI SENSORS
 Address : 3425 Walden Avenue
 Depew, New York 14043 USA</p> <p>7 This equipment or protective system and any acceptable variation thereto are specified in the schedule to this certificate and the documents therein referred to.</p> <p>8 LCIE, notified body number 0081 in accordance with article 9 of the Directive 94/9/EC of the European Parliament and the Council of 23 March 1994, certifies that this equipment or protective system has been found to comply with the essential Health and Safety Requirements relating to the design and construction of equipment and protective systems intended for use in potentially explosive atmospheres, given in Annex II to the Directive.
The examination and test results are recorded in confidential report N° 98678-595924.</p> <p>9 Compliance with the Essential Health and Safety Requirements has been assured by compliance with :
- EN 60079-0 (2009) - EN 60079-1 (2007)</p> <p>10 If the sign X is placed after the certificate number, it indicates that the equipment or protective system is subject to special conditions for safe use specified in the schedule to this certificate.</p> <p>11 This EC type examination certificate relates only to the design and construction of this specified equipment or protective system in accordance with annex III to the directive 94/9/EC.
Further requirements of the directive apply to the manufacturing process and supply of this equipment or protective system. These are not covered by this certificate.</p> <p>12 The marking of the equipment or protective system shall include the information as detailed at 15.</p> |
|--|---|

Fontenay Aux Roses

23 MARS 2011

Seul le texte en français peut engager la responsabilité du LCIE. Ce document ne peut être reproduit que dans son intégralité, sans aucune modification
The LCIE's liability applies only on the French text. This document may only be reproduced in its entirety and without any change



Responsable de certification ATEX
ATEX certification manager

Marc GILLAUX



LCIE

13 ANNEXE

13 SCHEDULE

14 ATTESTATION D'EXAMEN CE DE TYPE

14 EC TYPE EXAMINATION CERTIFICATE

LCIE 11 ATEX 3024

LCIE 11 ATEX 3024

15 DESCRIPTION DE L'APPAREIL OU DU SYSTEME DE PROTECTION

15 DESCRIPTION OF EQUIPMENT OR PROTECTIVE SYSTEM

Capteurs de vibration

Vibration sensors

Type :

Type :

EX (RV) (TO) (M) 64x

EX (RV) (TO) (M) 64x

EX (RV) (TO) (M) 649

EX (RV) (TO) (M) 649

EX (RV) (TO) (M) 686

EX (RV) (TO) (M) 686

L'équipement est constitué de deux éléments vissés ensembles. Un capteur de vibration déjà certifié séparément (modèle EX64x, EX649 ou EX686) et un élément de raccord coudé avec couvercle.

The equipment is made of two separate elements screwed together. One vibration sensor already certified (model EX64x, EX649 or EX686) and one connection elbow with cover.

Le marquage doit être :

The marking shall be :

IMI SENSORS Adresse : ...

IMI SENSORS Address : ...

Type : ... Modèle : ...


Type : ... Model : ...

N° de fabrication : ...

Serial number : ...

Année de fabrication : ...

Year of construction : ...

 II 2G

 II 2G

Modèle EX (RV) (TO) (M) 64x :

Model EX (RV) (TO) (M) 64x :

Ex d IIC T4 Gb

Ex d IIC T4 Gb

-20°C ≤ Tamb ≤ +80°C

-20°C ≤ Tamb ≤ +80°C

Modèle EX (RV) (TO) (M) 649 :

Model EX (RV) (TO) (M) 649 :

Ex d IIC T4 Gb

Ex d IIC T4 Gb

-20°C ≤ Tamb ≤ +100°C

-20°C ≤ Tamb ≤ +100°C

Modèle EX (RV) (TO) (M) 686 :

Model EX (RV) (TO) (M) 686 :

Ex d IIC T3 Gb

Ex d IIC T3 Gb

-20°C ≤ Tamb ≤ +85°C

-20°C ≤ Tamb ≤ +85°C

LCIE 11 ATEX 3024

LCIE 11 ATEX 3024

L'appareil doit également comporter le marquage normalement prévu par les normes de construction qui le concerne.

The equipment shall also bear the usual marking required by the manufacturing standards applying to such equipment.

16 DOCUMENTS DESCRIPTIFS

16 DESCRIPTIVE DOCUMENTS

Dossier de certification N° 48813 Rev.NR du 06/01/2011.
Ce document comprend 7 rubriques (27 pages).

Certification file N° 48813 Rev.NR dated January 6th 2011.
This file includes 7 items (27 pages).

17 CONDITIONS SPECIALES POUR UNE UTILISATION SÛRE

17 SPECIAL CONDITIONS FOR SAFE USE

Néant.

None.

18 EXIGENCES ESSENTIELLES DE SECURITE ET DE SANTE

18 ESSENTIAL HEALTH AND SAFETY REQUIREMENTS

Couvertes par les normes listées au point 9.

Covered by standards listed at 9.

19 VERIFICATIONS ET ESSAIS INDIVIDUELS

19 ROUTINE VERIFICATIONS AND TESTS

Néant.

None.

20 CONDITIONS DE CERTIFICATION

20 CONDITIONS OF CERTIFICATION

Les détenteurs d'attestations d'examen CE de type doivent également satisfaire les exigences de contrôle de production telles que définies à l'article 8 de la directive 94/9/CE.

Holder of EC type examination certificates are also required to comply with the production control requirements defined in article 8 of directive 94/9/EC.



LCIE

- | | |
|--|---|
| <p>1 ATTESTATION D'EXAMEN CE DE TYPE</p> <p>2 Appareil ou système de protection destiné à être utilisé en atmosphères explosibles (Directive 94/9/CE)</p> <p>3 Numéro de l'attestation d'examen CE de type LCIE 11 ATEX 3024</p> <p>4 Appareil ou système de protection :
 Capteurs de vibration
 Type :
 EX (RV) (TO) (M) 64x
 EX (RV) (TO) (M) 649
 EX (RV) (TO) (M) 686</p> <p>5 Demandeur : IMI SENSORS
 Adresse : 3425 Walden Avenue
 Depew, New York 14043 USA</p> <p>6 Fabricant : IMI SENSORS
 Adresse : 3425 Walden Avenue
 Depew, New York 14043 USA</p> <p>7 Cet appareil ou système de protection et ses variantes éventuelles acceptées sont décrits dans l'annexe de la présente attestation et dans les documents descriptifs cités en référence.</p> <p>8 Le LCIE, organisme notifié sous la référence 0081 conformément à l'article 9 de la directive 94/9/CE du Parlement européen et du Conseil du 23 mars 1994, certifie que cet appareil ou système de protection est conforme aux exigences essentielles de sécurité et de santé pour la conception et la construction d'appareils et de systèmes de protection destinés à être utilisés en atmosphères explosibles, données dans l'annexe II de la directive. Les résultats des vérifications et essais figurent dans le rapport confidentiel N° 98678-595924.</p> <p>9 Le respect des exigences essentielles de sécurité et de santé est assuré par la conformité à :
- EN 60079-0 (2009) - EN 60079-1 (2007)</p> <p>10 Le signe X lorsqu'il est placé à la suite du numéro de l'attestation, indique que cet appareil ou système de protection est soumis aux conditions spéciales pour une utilisation sûre, mentionnées dans l'annexe de la présente attestation.</p> <p>11 Cette attestation d'examen CE de type concerne uniquement la conception et la construction de l'appareil ou du système de protection spécifié, conformément à l'annexe III de la directive 94/9/CE.
Des exigences supplémentaires de la directive sont applicables pour la fabrication et la fourniture de l'appareil ou du système de protection. Ces dernières ne sont pas couvertes par la présente attestation.</p> <p>12 Le marquage de l'appareil ou du système de protection doit comporter les informations détaillées au point 15.</p> | <p>1 EC TYPE EXAMINATION CERTIFICATE</p> <p>2 Equipment or protective system intended for use in potentially explosive atmospheres (Directive 94/9/EC)</p> <p>3 EC type examination certificate number LCIE 11 ATEX 3024</p> <p>4 Equipment or protective system :
 Vibration sensors
 Type :
 EX (RV) (TO) (M) 64x
 EX (RV) (TO) (M) 649
 EX (RV) (TO) (M) 686</p> <p>5 Applicant : IMI SENSORS
 Address : 3425 Walden Avenue
 Depew, New York 14043 USA</p> <p>6 Manufacturer : IMI SENSORS
 Address : 3425 Walden Avenue
 Depew, New York 14043 USA</p> <p>7 This equipment or protective system and any acceptable variation thereto are specified in the schedule to this certificate and the documents therein referred to.</p> <p>8 LCIE, notified body number 0081 in accordance with article 9 of the Directive 94/9/EC of the European Parliament and the Council of 23 March 1994, certifies that this equipment or protective system has been found to comply with the essential Health and Safety Requirements relating to the design and construction of equipment and protective systems intended for use in potentially explosive atmospheres, given in Annex II to the Directive.
The examination and test results are recorded in confidential report N° 98678-595924.</p> <p>9 Compliance with the Essential Health and Safety Requirements has been assured by compliance with :
- EN 60079-0 (2009) - EN 60079-1 (2007)</p> <p>10 If the sign X is placed after the certificate number, it indicates that the equipment or protective system is subject to special conditions for safe use specified in the schedule to this certificate.</p> <p>11 This EC type examination certificate relates only to the design and construction of this specified equipment or protective system in accordance with annex III to the directive 94/9/EC.
Further requirements of the directive apply to the manufacturing process and supply of this equipment or protective system. These are not covered by this certificate.</p> <p>12 The marking of the equipment or protective system shall include information as detailed at 15.</p> |
|--|---|

Fontenay Aux Roses

23 MARS 2011

Responsable de certification ATEX
ATEX certification manager

Marc GILLAUX



Seul le texte en français peut engager la responsabilité de LCIE. Ce document ne peut être reproduit que dans son intégralité, sans aucune modification
The LCIE's liability applies only on the French text. This document may only be reproduced in its entirety and without any change

PP-ALG



LCIE

13 ANNEXE

13 SCHEDULE

14 ATTESTATION D'EXAMEN CE DE TYPE

14 EC TYPE EXAMINATION CERTIFICATE

LCIE 11 ATEX 3024

LCIE 11 ATEX 3024

15 DESCRIPTION DE L'APPAREIL OU DU SYSTEME DE PROTECTION

15 DESCRIPTION OF EQUIPMENT OR PROTECTIVE SYSTEM

Capteurs de vibration

Vibration sensors

Type :

Type :

EX (RV) (TO) (M) 64x

EX (RV) (TO) (M) 64x

EX (RV) (TO) (M) 649

EX (RV) (TO) (M) 649

EX (RV) (TO) (M) 686

EX (RV) (TO) (M) 686

L'équipement est constitué de deux éléments vissés ensemble. Un capteur de vibration déjà certifié séparément (modèle EX64x, EX649 ou EX686) et un élément de raccord coudé avec couvercle.

The equipment is made of two separate elements screwed together. One vibration sensor already certified (model EX64x, EX649 or EX686) and one connection elbow with cover.

Le marquage doit être :

The marking shall be :

IMI SENSORS Adresse : ...

IMI SENSORS Address : ...

Type : ... Modèle : ...

Type : ... Model : ...

N° de fabrication : ...

Serial number : ...

Année de fabrication : ...

Year of construction : ...

II 2G

II 2G

Modèle EX (RV) (TO) (M) 64x :

Model EX (RV) (TO) (M) 64x :

Ex d IIC T4 Gb

Ex d IIC T4 Gb

-20°C ≤ Tamb ≤ +80°C

-20°C ≤ Tamb ≤ +80°C

Modèle EX (RV) (TO) (M) 649 :

Model EX (RV) (TO) (M) 649 :

Ex d IIC T4 Gb

Ex d IIC T4 Gb

-20°C ≤ Tamb ≤ +100°C

-20°C ≤ Tamb ≤ +100°C

Modèle EX (RV) (TO) (M) 686 :

Model EX (RV) (TO) (M) 686 :

Ex d IIC T3 Gb

Ex d IIC T3 Gb

-20°C ≤ Tamb ≤ +85°C

-20°C ≤ Tamb ≤ +85°C

LCIE 11 ATEX 3024

LCIE 11 ATEX 3024

L'appareil doit également comporter le marquage normalement prévu par les normes de construction qui le concerne.

The equipment shall also bear the usual marking required by the manufacturing standards applying to such equipment.

16 DOCUMENTS DESCRIPTIFS

16 DESCRIPTIVE DOCUMENTS

Dossier de certification N° 48813 Rev.NR du 06/01/2011.
Ce document comprend 7 rubriques (27 pages).

Certification file N° 48813 Rev.NR dated January 6th 2011.
This file includes 7 items (27 pages).

17 CONDITIONS SPECIALES POUR UNE UTILISATION SÛRE

17 SPECIAL CONDITIONS FOR SAFE USE

Néant.

None.

18 EXIGENCES ESSENTIELLES DE SECURITE ET DE SANTE

18 ESSENTIAL HEALTH AND SAFETY REQUIREMENTS

Couvertes par les normes listées au point 9.

Covered by standards listed at 9.

19 VERIFICATIONS ET ESSAIS INDIVIDUELS

19 ROUTINE VERIFICATIONS AND TESTS

Néant.

None.

20 CONDITIONS DE CERTIFICATION

20 CONDITIONS OF CERTIFICATION

Les détenteurs d'attestations d'examen CE de type doivent également satisfaire les exigences de contrôle de production telles que définies à l'article 8 de la directive 94/9/CE.

Holders of EC type examination certificates are also required to comply with the production control requirements defined in article 8 of directive 94/9/EC.

Seul le texte en français peut engager la responsabilité de LCIE. Ce document ne peut être reproduit que dans son intégralité, sans aucune modification
The LCIE's liability applies only on the French text. This document may only be reproduced in its entirety and without any change



IECEx Certificate of Conformity

INTERNATIONAL ELECTROTECHNICAL COMMISSION IEC Certification Scheme for Explosive Atmospheres

for rules and details of the IECEx Scheme visit www.iecex.com

Certificate No.: IECEx LCI 11.0022 issue No.: 1
Status: **Current**
Date of Issue: **2015-11-09** Page 1 of 4

Certificate history:
Issue No. 1 (2015-11-9)
Issue No. 0 (2011-3-23)

Applicant: **IMI Sensors, a PCB Piezotronics Div.**
3425 Walden Avenue
Depew, New York 14043
United States of America

Electrical Apparatus: **Vibration sensors**
Optional accessory: type EX (RV) (TO) (M) 64x, 649, 686

Type of Protection: **Ex d**

Marking: IMI Sensors
Address : ...
Type : ...
Model : ...
Serial number : ...
Year of manufacturing : ...
Model EX (RV) (TO) (M) 64x :
Ex d IIC T4 Gb
-20°C ≤ Tamb ≤ +80°C
Model EX (RV) (TO) (M) 649 :
Ex d IIC T4 Gb
-20°C ≤ Tamb ≤ +100°C
Model EX (RV) (TO) (M) 686 :
Ex d IIC T3 Gb
-20°C ≤ Tamb ≤ +85°C
IECEx LCI 11.0022

Approved for issue on behalf of the IECEx
Certification Body:

Julien GAUTHIER

Position:

Certification Officer

Signature:
(for printed version)

Date:

2015-11-09

1. This certificate and schedule may only be reproduced in full.
2. This certificate is not transferable and remains the property of the issuing body.
3. The Status and authenticity of this certificate may be verified by visiting the [Official IECEx Website](http://www.iecex.com).

Certificate issued by:

Laboratoire Central des Industries Electriques (LCIE)
33 Avenue du General Leclerc
FR-92260 Fontenay-aux-Roses
France



Documents relative to LCIE certification activities (Certificates, QARs, ExTRs) can be registered under the references "LCI" or "LCIE".

LCIE



IECEX Certificate of Conformity

Certificate No.: IECEx LCI 11.0022

Date of Issue: 2015-11-09

Issue No.: 1

Page 2 of 4

Manufacturer: **PCB Piezotronics**
3425 Walden Avenue
Depew, New York 14043
United States of America

Additional Manufacturing location
(s):

**PCB Piezotronics of
North Carolina Inc.**
10869 Hwy 903
Halifax, NC 27839
United States of America

This certificate is issued as verification that a sample(s), representative of production, was assessed and tested and found to comply with the IEC Standard list below and that the manufacturer's quality system, relating to the Ex products covered by this certificate, was assessed and found to comply with the IECEx Quality system requirements. This certificate is granted subject to the conditions as set out in IECEx Scheme Rules, IECEx 02 and Operational Documents as amended.

STANDARDS:

The electrical apparatus and any acceptable variations to it specified in the schedule of this certificate and the identified documents, was found to comply with the following standards:

IEC 60079-0 : 2007-10 Explosive atmospheres - Part 0: Equipment - General requirements
Edition: 5

IEC 60079-1 : 2007-04 Explosive atmospheres - Part 1: Equipment protection by flameproof enclosures "d"
Edition: 6

*This Certificate **does not** indicate compliance with electrical safety and performance requirements other than those expressly included in the Standards listed above.*

TEST & ASSESSMENT REPORTS:

A sample(s) of the equipment listed has successfully met the examination and test requirements as recorded in

Test Report:

FR/LCI/ExTR11.0022/00

FR/LCIE/ExTR15.0106/00

Quality Assessment Report:

NL/DEK/QAR14.0004/01



IECEX Certificate of Conformity

Certificate No.: IECEx LCI 11.0022

Date of Issue: 2015-11-09

Issue No.: 1

Page 3 of 4

Schedule

EQUIPMENT:

Equipment and systems covered by this certificate are as follows:

The equipment is a flameproof vibration sensors. It is made of two separate elements screwed together. One vibration sensor already certified (model EX64x, EX649 or EX686) and one connection elbow with cover (standard version model Y-3 or the already ATEX/IECEX certified model Y-3-EX). The two elements are factory installed and torqued with the addition of Loctite so the two elements can not be separated by the end user. The elbow and its cover are made of aluminium.

CONDITIONS OF CERTIFICATION: NO



IECEx Certificate of Conformity

Certificate No.: IECEx LCI 11.0022

Date of Issue: 2015-11-09

Issue No.: 1

Page 4 of 4

DETAILS OF CERTIFICATE CHANGES (for issues 1 and above):

Issue 01 :

Modification of QAR

Addition of a manufacturing site

Modification of the applicant name



IECEx Certificate of Conformity

INTERNATIONAL ELECTROTECHNICAL COMMISSION IEC Certification Scheme for Explosive Atmospheres

for rules and details of the IECEx Scheme visit www.iecex.com

Certificate No.: IECEx LCI 11.0022 issue No.: 0 Certificate history:

Status: **Current**

Date of Issue: 2011-03-23 Page 1 of 3

Applicant: **IMI Sensors**
3425 Walden Avenue
Depew, New York 14043
United States of America

Electrical Apparatus: **Vibration sensors - type EX (RV) (TO) (M) 64x, 649, 686**
Optional accessory:

Type of Protection: **Ex d**

Marking: **IMI Sensors**
Address : ...
Type : ...
Model : ...
Serial number : ...
Year of manufacturing : ...
Model EX (RV) (TO) (M) 64x :
Ex d IIC T4 Gb
-20°C ≤ Tamb ≤ +80°C
Model EX (RV) (TO) (M) 649 :
Ex d IIC T4 Gb
-20°C ≤ Tamb ≤ +100°C
Model EX (RV) (TO) (M) 686 :
Ex d IIC T3 Gb
-20°C ≤ Tamb ≤ +85°C
IECEx LCI 11.0022

Approved for issue on behalf of the IECEx
Certification Body:

Marc GILLAUX

Position:

Certification manager

Signature:
(for printed version)

Date:



1. This certificate and schedule may only be reproduced in full.
2. This certificate is not transferable and remains the property of the issuing body.
3. The Status and authenticity of this certificate may be verified by visiting the [Official IECEx Website](http://www.iecex.com).

Certificate issued by:

Laboratoire Central des Industries Electriques (LCIE)
33 Avenue du General Leclerc
FR-92260 Fontenay-aux-Roses
France





IECEX Certificate of Conformity

Certificate No.: IECEx LCI 11.0022

Date of Issue: 2011-03-23

Issue No.: 0

Page 2 of 3

Manufacturer: **IMI Sensors**
3425 Walden Avenue
Depew, New York 14043
United States of America

Manufacturing location(s):

This certificate is issued as verification that a sample(s), representative of production, was assessed and tested and found to comply with the IEC Standard list below and that the manufacturer's quality system, relating to the Ex products covered by this certificate, was assessed and found to comply with the IECEx Quality system requirements. This certificate is granted subject to the conditions as set out in IECEx Scheme Rules, IECEx 02 and Operational Documents as amended.

STANDARDS:

The electrical apparatus and any acceptable variations to it specified in the schedule of this certificate and the identified documents, was found to comply with the following standards:

IEC 60079-0 : 2007-10 Explosive atmospheres - Part 0: Equipment - General requirements
Edition: 5

IEC 60079-1 : 2007-04 Explosive atmospheres - Part 1: Equipment protection by flameproof enclosures "d"
Edition: 6

*This Certificate **does not** indicate compliance with electrical safety and performance requirements other than those expressly included in the Standards listed above.*

TEST & ASSESSMENT REPORTS:

A sample(s) of the equipment listed has successfully met the examination and test requirements as recorded in

Test Report:

[FR/LCI/ExTR11.0022/00](#)

Quality Assessment Report:

[CA/CSA/QAR09.0018/00](#)



IECEX Certificate of Conformity

Certificate No.: IECEx LCI 11.0022

Date of Issue: 2011-03-23

Issue No.: 0

Page 3 of 3

Schedule

EQUIPMENT:

Equipment and systems covered by this certificate are as follows:

The equipment is a flameproof vibration sensors. It is made of two separate elements screwed together. One vibration sensor already certified (model EX64x, EX649 or EX686) and one connection elbow with cover (standard version model Y-3 or the already ATEX/IECEX certified model Y-3-EX). The two elements are factory installed and torqued with the addition of Loctite so the two elements can not be separated my the end user. The elbow and its cover are made of aluminium.

CONDITIONS OF CERTIFICATION: NO



СЕРТИФИКАТ СООТВЕТСТВИЯ

№ ЕАЭС RU C-US.AA87.B.00217/19

Серия **RU** № **0124866**



ОРГАН ПО СЕРТИФИКАЦИИ Орган по сертификации взрывозащищенного и рудничного оборудования (ОС ЦСВЭ) Общества с ограниченной ответственностью «Центр по сертификации взрывозащищенного и рудничного оборудования» (ООО «НАНИО ЦСВЭ»). Адрес места нахождения юридического лица: Россия, 140004, Московская область, Люберецкий район, город Люберцы, поселок ВУГИ, АО «Завод «ЭКОМАШ», литера В, Объект 6, этаж 3, офис 26. Адрес места осуществления деятельности в области аккредитации: Россия, 140004, Московская область, Люберецкий район, город Люберцы, поселок ВУГИ, АО «Завод «ЭКОМАШ», Литера В, Объект 6, этаж 3, офисы 26/3, 26/4, 26/5, 27/6, 30/1, 32. Аттестат № RA.RU.11AA87 от 20.07.2015 г. Телефон: +7 (495) 558-83-53, +7 (495) 558-82-44. Адрес электронной почты: ccve@ccve.ru

ЗАЯВИТЕЛЬ Общество с ограниченной ответственностью «Альфатех». Адрес места нахождения юридического лица: Россия, 125009, Москва, Малый Гнезниковский переулок, дом № 12, помещение I, комната 4. Адрес места осуществления деятельности: Россия, 127495, Москва, Долгопрудненское шоссе, дом № 3, Технопарк «Физтехпарк». ОГРН: 1167746393792. Телефон: +7 (495) 642-49-14. Адрес электронной почты: info@alphatechgroup.ru

ИЗГОТОВИТЕЛЬ PCB Piezotronics, Inc
Адрес места нахождения юридического лица и адрес места осуществления деятельности по изготовлению продукции: 3425 Walden Av., Depew, NY 14043, США

ПРОДУКЦИЯ Пьезоэлектрические преобразователи, вибропереключатели, предусилители с Ex-маркировкой согласно приложению (см. бланки №№ 0621345, 0621346, 0621347). Документы, в соответствии с которыми изготовлены изделия – см. приложение, бланк № 0621344. Серийный выпуск.

КОД ТН ВЭД ЕАЭС 9031 80 3800, 9026 20 2000, 8517 69 9000

СООТВЕТСТВУЕТ ТРЕБОВАНИЯМ
ТР ТС 012/2011 «О безопасности оборудования для работы во взрывоопасных средах».

СЕРТИФИКАТ СООТВЕТСТВИЯ ВЫДАН НА ОСНОВАНИИ
Протокола испытаний № 235.2019-Т от 11.09.2019 Испытательной лаборатории технических устройств Автономной некоммерческой организации «Национальный испытательный и научно-исследовательский институт оборудования для взрывоопасных сред» ИЛ Ex TU (аттестат № РОСС RU.0001.21МШ19 от 16.10.2015); Акта анализа состояния производства № 35-А/19 от 14.03.2019 Органа по сертификации взрывозащищенного и рудничного оборудования (ОС ЦСВЭ) Общества с ограниченной ответственностью «Центр по сертификации взрывозащищенного и рудничного оборудования» (ООО «НАНИО ЦСВЭ») (аттестат № RA.RU.11AA87 выдан 20.07.2015); Документов, представленных заявителем в качестве доказательства соответствия продукции требованиям ТР ТС 012/2011 (см. приложение, бланк № 0621344).
Схема сертификации – 1с.

ДОПОЛНИТЕЛЬНАЯ ИНФОРМАЦИЯ
Перечень стандартов, применяемых на добровольной основе для соблюдения требований ТР ТС 012/2011 (см. приложение, бланк № 0621344). Условия и срок хранения указаны в эксплуатационной документации. Назначенный срок службы – 10 лет.

СРОК ДЕЙСТВИЯ С 13.09.2019 ПО 12.09.2024
ВКЛЮЧИТЕЛЬНО

Руководитель (уполномоченное лицо) органа по сертификации

(подпись)

Залогин Александр Сергеевич

(Ф.И.О.)

Эксперт (эксперт-аудитор) (эксперты (эксперты-аудиторы))

(подпись)

М.П. Рафалович Борис Александрович

(Ф.И.О.)



ПРИЛОЖЕНИЕ

К СЕРТИФИКАТУ СООТВЕТСТВИЯ № БАЭС RU C-US.AA87.B.00217/19 Лист 1

Серия RU № 0621344

I. ПЕРЕЧЕНЬ СТАНДАРТОВ, ПРИМЕНЯЕМЫХ НА ДОБРОВОЛЬНОЙ ОСНОВЕ
ДЛЯ СОБЛЮДЕНИЯ ТРЕБОВАНИЙ ТР ТС 012/2011 «О БЕЗОПАСНОСТИ ОБОРУДОВАНИЯ
ДЛЯ РАБОТЫ ВО ВЗРЫВООПАСНЫХ СРЕДАХ»

Обозначение стандартов	Наименование стандартов
ГОСТ 31610.0-2014 (IEC 60079-0:2011)	Взрывоопасные среды. Часть 0. Оборудование. Общие требования
ГОСТ IEC 60079-1-2011	Взрывоопасные среды. Часть 1. Оборудование с видом взрывозащиты «взрывонепроницаемые оболочки «d»
ГОСТ 31610.11-2014 (IEC 60079-11:2011)	Взрывоопасные среды. Часть 11. Оборудование с видом взрывозащиты «искробезопасная электрическая цепь «i»
ГОСТ 31610.15-2012/МЭК 60079-15:2005	Электрооборудование для взрывоопасных газовых сред. Часть 15. Конструкция, испытания и маркировка электрооборудования с видом защиты «p»

II. ДОКУМЕНТЫ, ПРЕДСТАВЛЕННЫЕ ЗАЯВИТЕЛЕМ В КАЧЕСТВЕ ДОКАЗАТЕЛЬСТВА
СООТВЕТСТВИЯ ПРОДУКЦИИ ТРЕБОВАНИЯМ ТР ТС 012/2011

Руководства по эксплуатации: № 750119 от 23.01.19, № 830119 от 23.01.19, № 940219 от 07.02.19, № 630119 от 22.01.19, № 610119 от 22.01.19, № 910219 от 07.02.19, № 950219 от 08.02.19, № 970219 от 08.02.19.
Технические файлы: № 54202 от 02.02.2017, № 54204 от 02.02.2017, № 22438 С от 19.07.2012, № 62501 от 06.10.2016, № 33699 от 16.06.2016, № 56178 от 01.07.2016, № 70893 от 24.07.2019, № 54707 от 10.08.2016, № 48813 от 06.01.2011
Чертежи: № 47912 от 31.03.2017, № 49038 от 31.03.2017.
Перечень стандартов см. п. I.

III. ДОКУМЕНТЫ, В СООТВЕТСТВИИ С КОТОРЫМИ ИЗГОТОВЛЕНА ПРОДУКЦИЯ

Технические файлы: № 54202 от 02.02.2017, № 54204 от 02.02.2017, № 22438 С от 19.07.2012, № 62501 от 06.10.2016, № 33699 от 16.06.2016, № 56178 от 01.07.2016, № 70893 от 24.07.2019, № 54707 от 10.08.2016, № 48813 от 06.01.2011
Чертежи: № 47912 от 31.03.2017, № 49038 от 31.03.2017

Руководитель (уполномоченное
лицо) органа по сертификации

(подпись)

Эксперт (эксперт-аудитор)
(эксперты (эксперты-аудиторы))

(подпись)



Залогин Александр Сергеевич
(Ф.И.О.)

М.П.

Рафалович Борис Александрович
(Ф.И.О.)

ПРИЛОЖЕНИЕ

К СЕРТИФИКАТУ СООТВЕТСТВИЯ № ЕАЭС RU C-US.AA87.B.00217/19 Лист 2

Серия RU № 0621345

1. НАЗНАЧЕНИЕ И ОБЛАСТЬ ПРИМЕНЕНИЯ

Пьезоэлектрические преобразователи (далее – преобразователи) предназначены для контроля параметров вибрации, динамического давления и преобразования их в электрический сигнал.

Вибропереключатели предназначены для контроля уровня вибрации и защиты оборудования от повышенной вибрации.

Предусилители предназначены для преобразования зарядового сигнала в вольтовый.

Область применения - взрывоопасные зоны помещений и наружных установок согласно Ex-маркировке, ГОСТ IEC 60079-14-2013, регламентирующих применение во взрывоопасных средах.

2. СТРУКТУРНОЕ ОБОЗНАЧЕНИЕ

2.1. Преобразователи 176ХУУ/МZZZ-АА

X = от А до Z ревизия продукта, не влияющая на взрывозащиту

УУ = от 01 до 99 для индикации вариантов монтажа, диафрагмы, кабелей или разъемов

M = опционально для указания метрической длины кабеля

ZZZ = от 001 до 999 опционально для указания длины кабеля в футах: (не более 200 футов) или метрах: (не более 61 м)

AA = от 01 до 99 опционально для указания дробной длины кабеля в дюймах или сантиметрах, не влияющей на взрывозащиту

2.2. Преобразователи 351abcd

a – ревизия продукта, может быть: А,В,С,Д,Е,F,G,H,I,J,K,L или M, не влияющая на взрывозащиту

b – первая цифра вариации продукта, может быть: 0,1,2,3,4,5,6,7,8 или 9, не влияющая на взрывозащиту

c – вторая цифра вариации продукта, может быть: 0,1,2,3,4,5,6,7,8 или 9, не влияющая на взрывозащиту

d – третья цифра вариации продукта, может быть: 0,1,2,3,4,5,6,7,8,9 или отсутствует, не влияющая на взрывозащиту

2.3 Преобразователи EX(TO)(M)602yzzz/aaa, EX(TO)(M)603yzzz/aaa, EX(TO)(M)606yzzz/aaa, EX(TO)(M)607yzzz/aaa, EX(TO)(M)608yzzz/aaa, EX(M)637XYYYZ, (M)638XYYYZ

XX = TO (с температурным выходом), M (с метрической резьбой),

y = одна буква от А до Z, не влияющая на взрывозащиту

zzz = две или три цифры от 00 до 999, не влияющие на взрывозащиту

aaa = длина кабеля и/или тип разъема

2.4 Предусилители EX682XYYY

X – ревизия продукта (А,В ... М), не влияющая на взрывозащиту

YYY: параметры фильтрации, усиления, частотная характеристика, ... (от 1 до 999), не влияющие на взрывозащиту

2.5 Преобразователи EX(RV)(TO)(M)64хухх, EX(RV)(TO)(M)649ухх, EX (RV)(TO) (M)686ухх

XX = M (с метрической резьбой), TO (с температурным выходом), RV (с доп. вольтовым выходом).

Буквы х являются переменными цифрами (значения от 0 до 9), не влияющими на взрывозащиту

y = одна буква от А до Z, не влияющая на взрывозащиту

2.6 Преобразователи EX (XX) 622yzzz / aaa, EX (XX) 623yzzz / aaa, EX (XX) 625yzzz / aaa, EX (XX) 628yzzz / aaa

XX = HT (Высокотемпературная версия), M (с метрической резьбой), TO (с температурным выходом), VO (с выходом по скорости).

y = одна буква от А до Z, не влияющая на взрывозащиту

zzz = две или три цифры от 00 до 999, не влияющие на взрывозащиту

aaa = длина кабеля и/или тип разъема

2.7 Вибропереключатели 685ухх

Буквы х являются переменными цифрами (значения от 0 до 9), не влияющими на взрывозащиту

y = одна буква от А до Z, не влияющая на взрывозащиту

Руководитель (уполномоченное лицо) органа по сертификации

(подпись)

Залогин Александр Сергеевич (Ф.И.О.)

Эксперт (эксперт-аудитор) (эксперты (эксперты-аудиторы))

(подпись)

Рафалович Борис Александрович (Ф.И.О.)

ПРИЛОЖЕНИЕ

К СЕРТИФИКАТУ СООТВЕТСТВИЯ № ЕАЭС RU C-US.AA87.B.00217/19 Лист 3

Серия **RU** № **0621346**

3. ОСНОВНЫЕ ТЕХНИЧЕСКИЕ ДАННЫЕ

3.1. Ех-маркировка: преобразователей 176XYU/MZZ-AA	0Ex ia IIC T660°C...T6 Ga X
преобразователей 351abcd	0Ex ia IIC T4 Ga X
вибропереключателей 685yxx	1Ex d IIB+H ₂ T4 Gb
преобразователей EX(TO)(M)602yzzz1aaa, EX(TO)(M)603yzzz/aaa, EX(TO)(M)606yzzz/aaa, EX(TO)(M)607yzzz/aaa, EX(TO)(M)608yzzz/aaa	2Ex nA IIC T4 Gc X или 0Ex ia IIC T4 Ga X
преобразователей EX(M)637XYUZY, (M)638XYUZY	0Ex ia IIC T4 Ga X или 2Ex nA IIC T4 Gc X
предусилителей EX682XYUZY	0Ex ia IIC T4 Ga X или 2Ex nA IIC T4 Gc X
EX(RV)(TO)(M)64хyxx, EX(RV)(TO)(M)649yxx, EX (RV)(TO) (M)686yxx	1Ex d IIC T4 Gb X или 1Ex d IIC T3 Gb X
преобразователей EX (XX) 622yzzz / aaa, EX (XX) 623yzzz / aaa, EX (XX) 625yzzz / aaa , EX (XX) 628yzzz / aaa	2Ex nA IIC T4 Gc X
3.2. Диапазон температур окружающей среды, °С,	
преобразователей 176XYU/MZZ-AA	от -70 до 650
преобразователей 351abcd	от -196 до 121
вибропереключателей 685yxx	от -25 до 60
преобразователей EX(TO)(M)602yzzz1aaa, EX(TO)(M)603yzzz/aaa, EX(TO)(M)606yzzz/aaa, EX(TO)(M)607yzzz/aaa, EX(TO)(M)608yzzz/aaa	от -54 до 121
преобразователей EX(M)637XYUZY, (M)638XYUZY	от -196 до 121
предусилителей EX682XYUZY	от -40 до 85
преобразователей EX(RV)(TO)(M)64хyxx, EX(RV)(TO)(M)649yxx, EX (RV)(TO) (M)686yxx	от -20 до 80
преобразователей EX (XX) 622yzzz / aaa, EX (XX) 623yzzz / aaa, EX (XX) 625yzzz / aaa , EX (XX) 628yzzz / aaa	от -54 до 121

3.3. Входные искробезопасные электрические параметры преобразователей, предусилителей:

Модель	U _i , В	I _i , мА	P _i , Вт	C _i , нФ	L _i , мГн
преобразователей 176XYU/MZZ-AA	30	300	1	5	0,5
преобразователей 351abcd	28	200	1,2	61	305 мкГн
преобразователей EX(TO)(M)602yzzz1aaa, EX(TO)(M)603yzzz/aaa, EX(TO)(M)606yzzz/aaa, EX(TO)(M)607yzzz/aaa, EX(TO)(M)608yzzz/aaa	28	200	1	16,2 или 77,2 (с кабелем)	пренебрежимо мала или 305 мкГн (с учетом кабеля 305м)
преобразователей EX(M)637XYUZY, (M)638XYUZY	28	93	0,65	6,5	пренебрежимо мала
предусилителей EX682XYUZY	28	100	0,7	пренебрежимо мала	пренебрежимо мала

Руководитель (уполномоченное
лицо) органа по сертификации

(подпись)

Эксперт (эксперт-аудитор)
(эксперты (эксперты-аудиторы))

(подпись)

Залогин Александр Сергеевич

(Ф.И.О.)

М.П. Рафалович Борис Александрович

(Ф.И.О.)

ПРИЛОЖЕНИЕ

К СЕРТИФИКАТУ СООТВЕТСТВИЯ № ЕАЭС RU C-US.AA87.B.00217/19 Лист 4

Серия **RU** № **0621347**

3.4. Электрические параметры:

3.4.1 вибропереключателей 685ухх

Напряжение питания, В 85-245 (AC), 24 (DC)
 Максимальный ток, mA 150

3.4.2 преобразователей EX(TO)(M)602yzzz/aaa, EX(TO)(M)603yzzz/aaa, EX(TO)(M)606yzzz/aaa, EX(TO)(M)607yzzz/aaa, EX(TO)(M)608yzzz/aaa, EX (XX) 622yzzz / aaa, EX (XX) 623yzzz / aaa, EX (XX) 625yzzz / aaa, EX (XX) 628yzzz / aaa

с Ex-маркировкой 2Ex nA IIC T4 Gc X:

Напряжение питания, В 28
 Максимальный ток, mA 200
 Мощность, Вт 1

3.4.3 преобразователей EX(M)637XYYYZ, (M)638XYYYZ

Напряжение питания, В 18 – 28
 Максимальный ток, mA 1,6 – 20
 Мощность, Вт 0,5

3.4.4 Предусилителей EX682XYYY

Напряжение питания, В 22 – 28
 Максимальный ток, mA 3,1 – 4,1
 Мощность, Вт 0,1

3.4.5 преобразователей EX(RV)(TO)(M)64уххх, EX(RV)(TO)(M)649ухх, EX (RV)(TO) (M)686ухх

Напряжение питания, В 18 – 30
 Максимальный ток, mA 1,6 – 20
 Мощность, Вт 0,5

4. ОПИСАНИЕ КОНСТРУКЦИИ И СРЕДСТВ ОБЕСПЕЧЕНИЯ ВЗРЫВОЗАЩИЩЕННОСТИ

Преобразователи состоят из герметичного цилиндрического металлического корпуса, в котором размещается печатная плата и пьезокристаллический элемент. Сборка подключается к разъему или встроенному кабелю. На наружной поверхности корпуса преобразователя нанесена маркировка.

Вибропереключатели серии 685ухх выполнены в металлическом корпусе, внутри которого размещена электронная плата. На наружной поверхности корпуса нанесена маркировка.

Предусилители серии EX682XYYY выполнены в прямоугольном пластиковом корпусе с креплением на DIN рейку. Внутри корпуса размещена электронная плата. На корпусе размещен съемный клеммный блок. На наружной поверхности корпуса нанесена маркировка.

Подробное описание конструкции приведено в Руководствах по эксплуатации №750119 от 23.01.19, №830119 от 23.01.19, №940219 от 07.02.19, №630119 от 22.01.19, №610119 от 22.01.19, №910219 от 07.02.19, №950219 от 08.02.19, №970219 от 08.02.19

Взрывозащищенность преобразователей, вибропереключателей и предусилителей обеспечивается выполнением требований: ГОСТ 31610.15-2012/МЭК 60079-15:2005, ГОСТ 31610.0-2014 (IEC 60079-0:2011), ГОСТ IEC 60079-1-2011, ГОСТ 31610.11-2014 (IEC 60079-11:2011), в соответствии с Ex-маркировкой.

5. МАРКИРОВКА

Маркировка, наносимая на преобразователи, вибропереключатели и предусилители, включает следующие данные:

- товарный знак или наименование предприятия-изготовителя;
- серийный номер или номер партии;
- диапазон значений температур окружающей среды при эксплуатации;
- Ex-маркировку;
- специальный знак взрывобезопасности;
- наименование центра по сертификации и номер сертификата;
- предупредительные надписи;
- искробезопасные параметры

и другие данные, которые изготовитель должен отразить в маркировке, в соответствии с требованиями нормативной и технической документации.

6. СПЕЦИАЛЬНЫЕ УСЛОВИЯ ПРИМЕНЕНИЯ

5.1 Знак X, стоящий после Ex-маркировки, означает, что при эксплуатации преобразователей, вибропереключателей, предусилителей необходимо соблюдать следующие специальные условия:

- преобразователи, вибропереключатели, предусилители должны быть подключены к сертифицированному на соответствие требованиям ТР ТС 012/2011 источнику питания с соответствующей областью применения.

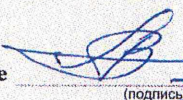
5.2 Свободные концы постоянно подсоединенного кабеля должны подключаться в сертифицированной на соответствие требованиям ТР ТС 012/2011 соединительной коробке или вне взрывоопасной зоны.

Специальные условия применения, обозначенные знаком X, отражены в сопроводительной документации, подлежащей обязательной поставке в комплекте с каждым изделием.

Внесение изменений в конструкцию изделий возможно только по согласованию с ОС ЦСВЭ в соответствии с требованиями ТР ТС 012/2011.

Руководитель (уполномоченное лицо) органа по сертификации

Эксперт (эксперт-аудитор) (эксперты (эксперты-аудиторы))


(подпись)

(подпись)

(подпись)



Залогин Александр Сергеевич

(ф.и.о.)

М.П. Рафалович Борис Александрович

(ф.и.о.)

EU Declaration of Conformity PS060

In Accordance with ISO/IEC 17050

Manufacturer:
 PCB Piezotronics, Inc.
 3425 Walden Avenue
 Depew, New York 14043
 USA

Authorized European Representative:
 PCB Piezotronics Europe GmbH
 Porschestraße 20-30
 41836 Hückelhoven
 Germany

Certifies that type of equipment: ICP® Industrial Sensor(s)

Whose Product Models Include: EX(XX)602yzzz/aaa, EX(XX)603yzzz/aaa, EX(XX)606yzzzlaaa, EX(XX)607yzzz/aaa, EX(XX)608yzzz/aaaSeries

Note: "xx" is a place holder for two numbers.

For example: EX602D01Industrial Vibration Sensor
 These letters and numbers are included in the model numbers of the series. For details see the related data sheets.

This declaration is applicable to all Sensor(s) of the above series which have the CE & (EX) ATEX mark on their data sheets and where those data sheets refer to this declaration of conformity. The data sheets for all model numbers referenced above, which include the CE & (EX) ATEX mark on such data sheets and refer to this Declaration of Conformity are hereby incorporated by reference into this Declaration.

Conform to the following EU Directive(s) when installed per product documentation:

2014/30/EU
 2014/34/EU
 2011/65/EU w/2015/863/EU

EMC Directive
 ATEX Directive
 RoHS Directive

Harmonized Standards to which Conformity is Declared:

Harmonized Standards	EN 61326-1:2013 EN 61326-2-3: 2013 EN 61010-1:2010 EN 61010-1:2010/A1:2019/AC:2019-04 EN 61010-1:2010/A1:2019 EN 60079-0:2018 EN 60079-11 2012 EN 63000:2018	Electrical Equipment for Measurement, Control and Laboratory Use- EMC requirements - Part 1: General requirements Electrical equipment for measurement, control and laboratory use - EMC requirements - Part 2-3: Particular requirements - Test configuration, operational conditions and performance criteria for transducers with integrated or remote signal conditioning Safety Requirements for Electrical Equipment for Measurement, Control, and Laboratory Use - Part 1: General Requirements General Explosive Atmosphere Intrinsic safe, i Technical documentation for the assessment of electrical and electronic products with respect to the restriction of hazardous substances(IEC 63000:2016)
Emissions Test Standards	EN 55011:2016, EN 55011:2016/A1:2017 EN 55011:2016/A11:2020	Industrial, scientific and medical (ISM) radio frequency equipment-Electromagnetic disturbance characteristics- Limits and methods of Measurement Class B
Other Standards Applied (non-OJEU)	EN 61000-4-2:2009 EN 61000-4-3:2006+A2:2010	Electromagnetic compatibility (EMC)–Part 4–2: Testing and measuring techniques– Electrostatic discharge immunity test Electromagnetic compatibility (EMC) - Part 4-3: Testing and measurement techniques - Radiated, radio-frequency, electromagnetic field immunity test

Immunity Test Standards	EN 61000-4-4:2012 EN 61000-4-5:2014 EN 61000-4-6:2014 EN 61000-4-8:2010	Electromagnetic compatibility (EMC) - Part 4-4: Testing and measurement techniques - Electrical fast transient/burst immunity test Electromagnetic compatibility (EMC) - Part 4-5: Testing and measurement techniques - Surge immunity test Electromagnetic compatibility (EMC) - Part 4-6: Testing and measurement techniques - Immunity to conducted disturbances, induced by radio-frequency fields Electromagnetic compatibility (EMC) – Part 4-8: Testing and measurement techniques – Power frequency magnetic field immunity test
Test Reports	EMC Reports Safety Reports	GM29028c, GM29030c, GM29032c, GM29045c GM29029s, GM29031s, GM29033s, GM29046s
EC Type Examination	ATEX Certification	LCIE 06 ATEX 6033 X Ex ia IIC T4 Ga, II 1 G
Voluntary Certification	Voluntary Type Examination Certificate	LCIE 06 ATEX 6032 X Ex nA IC T4 Gc, II 3 G
Other International Certifications	IECEX Certification	IECEX LCIE 13.0045 X Ex ia IIC T4 Ga Ex nA IICT4 Gc
Notified Body Name		Laboratoire Central des Industries Electriques (0081)
Notified Body's Address		FONTENAY-AUX-ROSES (Head Office) 33, avenue du Général Leclerc FR- 92260 Fontenay-aux-Roses Tel. : + 33 1 40 95 60 60 Fax : + 33 1 40 95 86 56

I, the undersigned, hereby declare that the equipment specified above conforms to the above Directive(s) Standard(s)

Place: Depew, NY **Date:** 4/9/2023

Signature:



Name: Wendy Willard

Title: Regulatory Affairs and Product Certification Specialist



Certificado de Conformidade

Certificate of Compliance ♦ *Certificado de Conformidad*

Certificado nº: TÜV 12.2154

Certificate / Certificado nº

Revisão: 01

Review/Revisión

Válido até: 26/02/2019

Valid Until / Válido Hasta

Emitido em 26/02/2016

Issued / Emitido

Produto:

Product/Producto:

SENSOR DE VIBRAÇÃO

Serie EX 686B

Marca:

Mark/Marca:

PCB

Solicitante:

Applicant/Solicitante:

PCB Piezotronics Inc.

3425 Walden Avenue

14043 – Depew, NY - USA

Fabricante:

Manufacturer/Fabricante:

PCB Piezotronics Inc.

3425 Walden Avenue

14043 – Depew, NY - USA

Fornecedor / Representante Legal:

*Supplier/Legal Representative/Proveedor/
Representante Legal:*

Não aplicável.

Normas Técnicas / Regulamento:

Standards/Regulation/Normas/Reglamento:

ABNT NBR IEC 60079-0:2008;

ABNT NBR IEC 60079-11:2009;

Portaria INMETRO nº 179 de 18/05/2010.

Esquema de certificação:

Certification Scheme/Esquema de certificación

Modelo com Avaliação do Sistema de Gestão da Qualidade do

Fabricante e Ensaio no Produto, conforme cláusula 6.1 do

Regulamento de Avaliação da Conformidade, anexo à Portaria nº 179

do INMETRO, publicada em 18 de maio de 2010.

Laboratório, Nº do relatório de ensaios e data:

*Laboratory and test report Nº / date /
Laboratorio y Informe de Prueba nº / fecha:*

LCIE – Laboratoire Central des Industries Electriques.

LCIE nº 93796/586962 de 30/07/2010

Relatório de Auditoria e data:

Audit Report/ data/ Informe de Auditoria/ fecha:

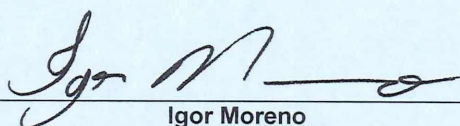
Auditoria realizada em 14/04/2016

Notas:

Notes/Anotación:

“A validade deste Certificado de Conformidade está atrelada à realização das avaliações de manutenção e tratamento de possíveis não conformidades de acordo com as orientações do OCP previstas no RAC específico. Para verificação da condição atualizada de regularidade deste Certificado de Conformidade deve ser consultado o banco de dados de produtos e serviços certificados do Inmetro”.

Este certificado está vinculado à proposta 0400112.0 de 21/11/2012.



Igor Moreno
Gerente de Certificação

Certification Manager / Gerente de Certificación

“Este documento é composto de 03 páginas e é válido quando exibido com todas as suas páginas. Demais informações e notas estão contidas nas páginas subsequentes.”



Certificado de Conformidade

Certificate of Compliance • Certificado de Conformidad

Certificado nº: **TÜV 12.2154**

Certificate / Certificado nº

Revisão: **01**

Review/Revisión

Válido até: **26/02/2019**

Valid Until / Válido Hasta

Emitido em **26/02/2016**

Issued / Emitido

Especificações:

O sensor de vibração modelo Ex 686B utiliza um cristal para converter a medição de vibração mecânica em um sinal elétrico.

O sensor é composto de um invólucro metálico selado, no interior do invólucro está localizado o conjunto do cristal-piezo e o amplificador.

Característica elétrica:

Tensão: 12-30 Vcc
24-240 Vca

Análise e ensaios realizados:

As análises e os ensaios realizados encontram-se no relatório técnico nº TÜV 12.2154.

Documentação descritiva do produto:

– Relatório de ensaios nº 93796/586962 de 30/07/2010;

Documento	Páginas	Descrição	Rev.	Data
40112	36	Operating Guide with Enclosed Warranty Information	C	-
54943-1	1	Approval Assembly models EX686B7X & EX686BXXXXXX6	0	-
54943-2	1	Etching Drawing Models EX686B7X & EX686BXXXXXX6	0	-
54944-1	1	Approval Assembly Model EX686BXXXXXX	0	-
54944-2	1	Etching Drawing Models EX686BXXXXXX	0	-
44170-1	1	Approval Assembly Model EX686BXXXXXX	0	10/06/2009
44170-2	1	Etching Drawing Models EX686BXXXXXX	0	10/06/2009
44171-1	1	Approval Assembly models EX686B7X & EX686BXXXXXX6	0	10/06/2009
44171-2	1	Etching Drawing Models EX686B7X & EX686BXXXXXX6	0	10/06/2009
44999	2	Technical File	0	-
45000	1	Descriptive Notice	0	-
39481	5	Approval Electrical Assembly and Schematic	0	25/09/2008
39482	2	Approval PC Board Assembly	0	25/09/2008
41229	1	Approval Radiator Drawing	0	-
39484	1	BI-Morph Sensor Assembly	0	25/09/2008



Certificado de Conformidade

Certificate of Compliance • Certificado de Conformidad

Certificado nº: TÜV 12.2154

Certificate / Certificado nº

Revisão: 01

Review/Revisión

Válido até: 26/02/2019

Valid Until / Válido Hasta

Emitido em 26/02/2016

Issued / Emitido

Marcação:

Os sensores de vibração modelos EX 686B foram aprovados nos ensaios e análises, nos termos das normas adotadas, devendo receber a marcação, levando-se em consideração o item observações.

Ex ic IIC T3 Gc
-54 °C ≤ T_a ≤ +85 °C

Observações:

1. Este certificado de conformidade é válido para os produtos de modelo e tipo idêntico ao protótipo ensaiado. Qualquer modificação de projeto ou utilização de componentes e materiais diferentes daqueles descritos na documentação deste processo, sem autorização prévia da TÜV Rheinland, invalidará o certificado.
2. É responsabilidade do fabricante assegurar que os produtos fabricados estejam de acordo com as especificações do protótipo ensaiado, através de inspeções visuais e dimensionais.
3. Os produtos devem ostentar, na sua superfície externa e em local visível, a Marca de Conformidade e as características técnicas da mesma de acordo com as especificações da ABNT NBR IEC 60079-0 / ABNT NBR IEC 60079-1 / ABNT NBR IEC 60079-11 e Regulamento de Avaliação da Conformidade, anexo à Portaria nº. 179 do INMETRO, publicada em 18 de Maio de 2010. Esta marcação deve ser legível e durável, levando-se em conta possível corrosão química.
4. As atividades de instalação, inspeção, manutenção, reparo, revisão e recuperação dos produtos são de responsabilidade do usuário e devem ser executadas de acordo com os requisitos das normas técnicas vigentes e com as recomendações do fabricante.

Natureza das revisões/Data

Nature of Reviews/Date

Naturaleza de las revisiones/Fecha

Revisão 00:

26/02/2013 – Certificação Inicial;

Revisão 01:

07/06/2016 – Revalidação.



Certificado de Conformidade

Certificate of Compliance + Certificado de Conformidad

Certificado nº: TÜV 12.2154

Certificate #/Certificado nº

Válido até: 26/02/2016

Validity Term/Fecha de Vencimiento

Produto:
Product/Producto

SENSOR DE VIBRAÇÃO

Tipo / Modelo:
Type - Model/Tipo - Modelo

SERIE EX 686B

Solicitante:
Applicant/Solicitante

**PCB Piezotronics Inc.
3425 Walden Avenue
14043 – Depew, NY - USA**

Fabricante:
Manufacturer/Fabricante

**PCB Piezotronics Inc.
3425 Walden Avenue
14043 – Depew, NY - USA**

Normas Técnicas:
Standards/Normas

ABNT NBR IEC 60079-0:2008, ABNT NBR IEC 60079-11:2009

Laboratório de Ensaio:
Testing Laboratory/Laboratorio de Ensayo

LCIE – Laboratoire Central des Industries Electriques

Nº do Relatório de Ensaio:
Test Report Number/Nº del informe de Ensayo

LCIE nº 93796/586962 de 30/07/2010

Observações:
Notes/Observaciones

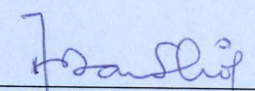
Certificado emitido com base no Modelo com Avaliação do Sistema de Gestão da Qualidade do Fabricante e Ensaio no Produto, conforme cláusula 6.1 do Regulamento de Avaliação da Conformidade, anexo à Portaria nº 179 do INMETRO, publicada em 18 de Maio de 2010

Portaria:
Governmental Regulation/Regulación Oficial

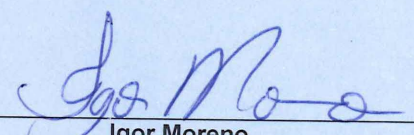
INMETRO nº 179 de 18/05/2010

Data de Emissão:
Date of issue/Fecha de Otorgamiento

São Paulo, 27 de Fevereiro de 2013.



Arnaldo Barbulio Filho
Executivo Sênior
Senior Executive/ Ejecutivo Senior



Igor Moreno
Gerente de Certificação
Certification Manager /Gerente de Certificación



Certificado de Conformidade

Certificate of Compliance + Certificado de Conformidad

Certificado nº: TÜV 12.2154

Certificate #/Certificado nº

Válido até: 26/02/2016

Validity Term/Fecha de Vencimiento

Especificações:

O sensor de vibração modelo Ex 686B utiliza um cristal para converter a medição de vibração mecânica em um sinal elétrico.

O sensor é composto de um invólucro metálico selado, no interior do invólucro está localizado o conjunto do cristal-piezo e o amplificador.

Característica elétrica:

Tensão: 12-30 Vcc
24-240 Vca

Análise e ensaios realizados:

As análises e os ensaios realizados encontram-se no relatório técnico nº TÜV 12.2154.

Documentação descritiva do produto:

– Relatório de ensaios nº 93796/586962 de 30/07/2010;

Documento	Páginas	Descrição	Rev.	Data
40112	36	Operating Guide with Enclosed Warranty Information	C	-
54943-1	1	Approval Assembly models EX686B7X & EX686BXXXXXX6	0	-
54943-2	1	Etching Drawing Models EX686B7X & EX686BXXXXXX6	0	-
54944-1	1	Approval Assembly Model EX686BXXXXXX	0	-
54944-2	1	Etching Drawing Models EX686BXXXXXX	0	-
44170-1	1	Approval Assembly Model EX686BXXXXXX	0	10/06/2009
44170-2	1	Etching Drawing Models EX686BXXXXXX	0	10/06/2009
44171-1	1	Approval Assembly models EX686B7X & EX686BXXXXXX6	0	10/06/2009
44171-2	1	Etching Drawing Models EX686B7X & EX686BXXXXXX6	0	10/06/2009
44999	2	Technical File	0	-
45000	1	Descriptive Notice	0	-
39481	5	Approval Electrical Assembly and Schematic	0	25/09/2008
39482	2	Approval PC Board Assembly	0	25/09/2008
41229	1	Approval Radiator Drawing	0	-
39484	1	BI-Morph Sensor Assembly	0	25/09/2008



Certificado de Conformidade

Certificate of Compliance ♦ Certificado de Conformidad

Certificado nº: TÜV 12.2154

Certificate #/Certificado nº

Válido até: 26/02/2016

Validity Term/Fecha de Vencimiento

Marcação:

Os sensores de vibração modelos EX 686B foram aprovados nos ensaios e análises, nos termos das normas adotadas, devendo receber a marcação, levando-se em consideração o item observações.

Ex ic IIC T3 Gc
-54 °C ≤ T_a ≤ +85 °C

Observações:

1. Este certificado de conformidade é válido para os produtos de modelo e tipo idêntico ao protótipo ensaiado. Qualquer modificação de projeto ou utilização de componentes e materiais diferentes daqueles descritos na documentação deste processo, sem autorização prévia da TÜV Rheinland, invalidará o certificado.
2. É responsabilidade do fabricante assegurar que os produtos fabricados estejam de acordo com as especificações do protótipo ensaiado, através de inspeções visuais e dimensionais.
3. Os produtos devem ostentar, na sua superfície externa e em local visível, a Marca de Conformidade e as características técnicas da mesma de acordo com as especificações da ABNT NBR IEC 60079-0 / ABNT NBR IEC 60079-1 / ABNT NBR IEC 60079-11 e Regulamento de Avaliação da Conformidade, anexo à Portaria nº. 179 do INMETRO, publicada em 18 de Maio de 2010. Esta marcação deve ser legível e durável, levando-se em conta possível corrosão química.
4. As atividades de instalação, inspeção, manutenção, reparo, revisão e recuperação dos produtos são de responsabilidade do usuário e devem ser executadas de acordo com os requisitos das normas técnicas vigentes e com as recomendações do fabricante.

Histórico:

26/02/2013 – Certificação Inicial – Efetivação;