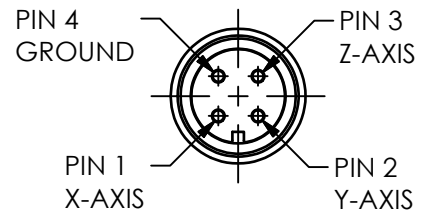
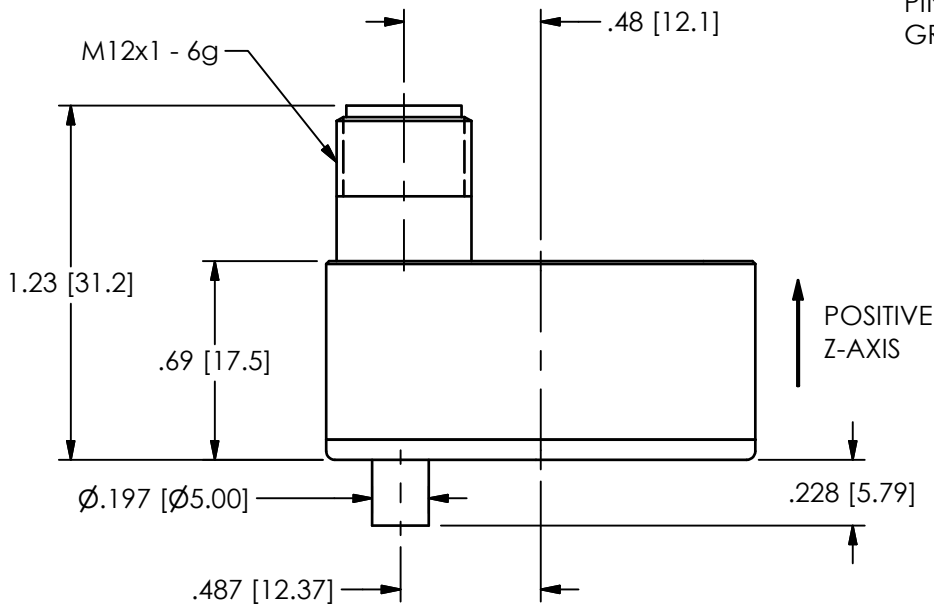
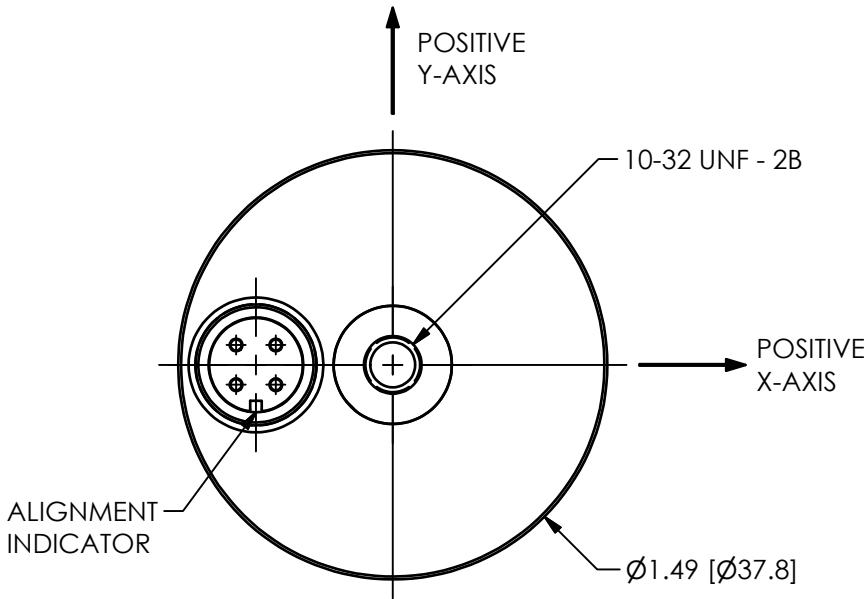


PCB Piezotronics Inc. claims proprietary rights in the information disclosed hereon. Neither it nor any reproduction thereof will be disclosed to others without the written consent of PCB Piezotronics Inc.

| REVISIONS | | |
|-----------|----------------------|-------|
| REV | DESCRIPTION | DIN |
| NR | RELEASED TO DRAFTING | 50834 |

73353



PIN OUT

| | | | | | | | | | | |
|--|---|--|---------|---------|---------|----------|---------|--|--------------------------|-------------------|
| UNLESS OTHERWISE SPECIFIED TOLERANCES ARE: | | DRAWN | | CHECKED | | ENGINEER | | 3425 WALDEN AVE. DEPEW, NY 14043 (716) 684-0001 E-MAIL: sales@pcb.com | | |
| DIMENSIONS IN INCHES | DIMENSIONS IN MILLIMETERS [IN BRACKETS] | KSR | 6/29/20 | KSR | 6/29/20 | GCD | 6/29/20 | | | |
| DECIMALS XX ±.03 XXX ±.010 | DECIMALS X ± 0.8 XX ± 0.25 | TITLE OUTLINE DRAWING CASE ISOLATED TRIAXIAL ACCELEROMETER W/M12 CONN | | | | | | | CODE IDENT. NO. 52681 | DWG. NO. 73353 |
| ANGLES ± 2 DEGREES | ANGLES ± 2 DEGREES | | | | | | | | SCALE: 1.5X | SHEET 1 OF 1 |
| FILLETS AND RADII .003 - .005 | FILLETS AND RADII 0.07 - 0.13 | | | | | | | | | |