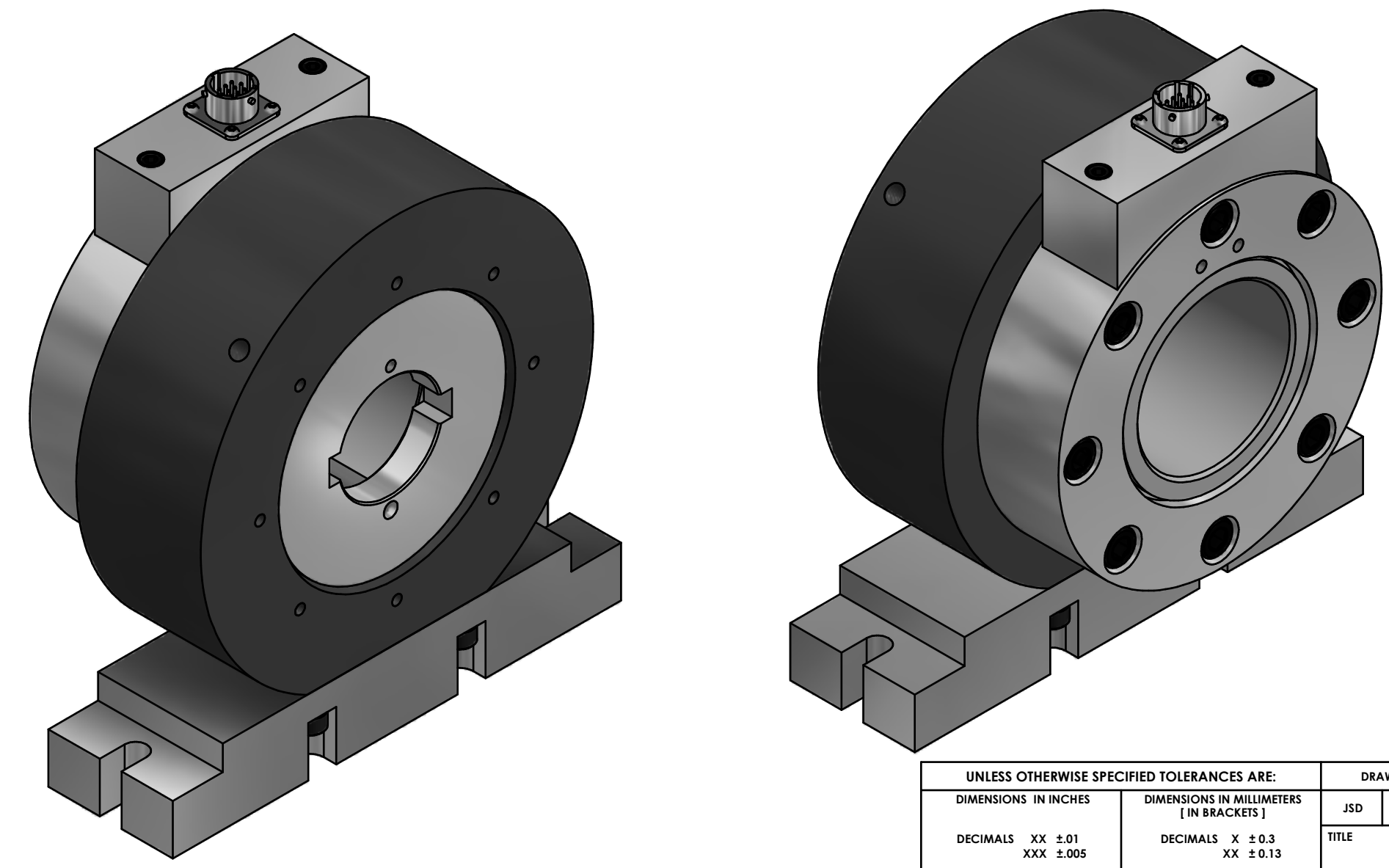


| REVISIONS | | |
|-----------|--|-------|
| REV | DESCRIPTION | ECO |
| B | HOLE PATTERN WAS 4 PLACES, 28C - 08.14.18, PTE | 48566 |



| UNLESS OTHERWISE SPECIFIED TOLERANCES ARE: | | DRAWN | CHECKED | ENGINEER | <small>24350 Indoplex Circle, Farmington Hills, MI 48335 (248) 888-8260 • FAX: (248) 888-8260 • EMAIL: info@pct.com</small> |
|--|---|----------|----------|----------|--|
| DIMENSIONS IN INCHES | DIMENSIONS IN MILLIMETERS [IN BRACKETS] | JSD | PTE | JSD | |
| DECIMALS XX ±0.1 XXX ±0.05 | DECIMALS X ±0.3 XX ±0.13 | 05.18.15 | 05.02.17 | 05.18.15 | TITLE OUTLINE DRAWING FASTENER RESEARCH HEAD 9400, 9500, 9600 SERIES DWG. NO. 61662 |
| ANGLES ± 5 DEGREES | ANGLES ± 5 DEGREES | | | | |
| FILLETS AND RADI Ø15 MAX | FILLETS AND RADI 0.38 MAX | | | | |