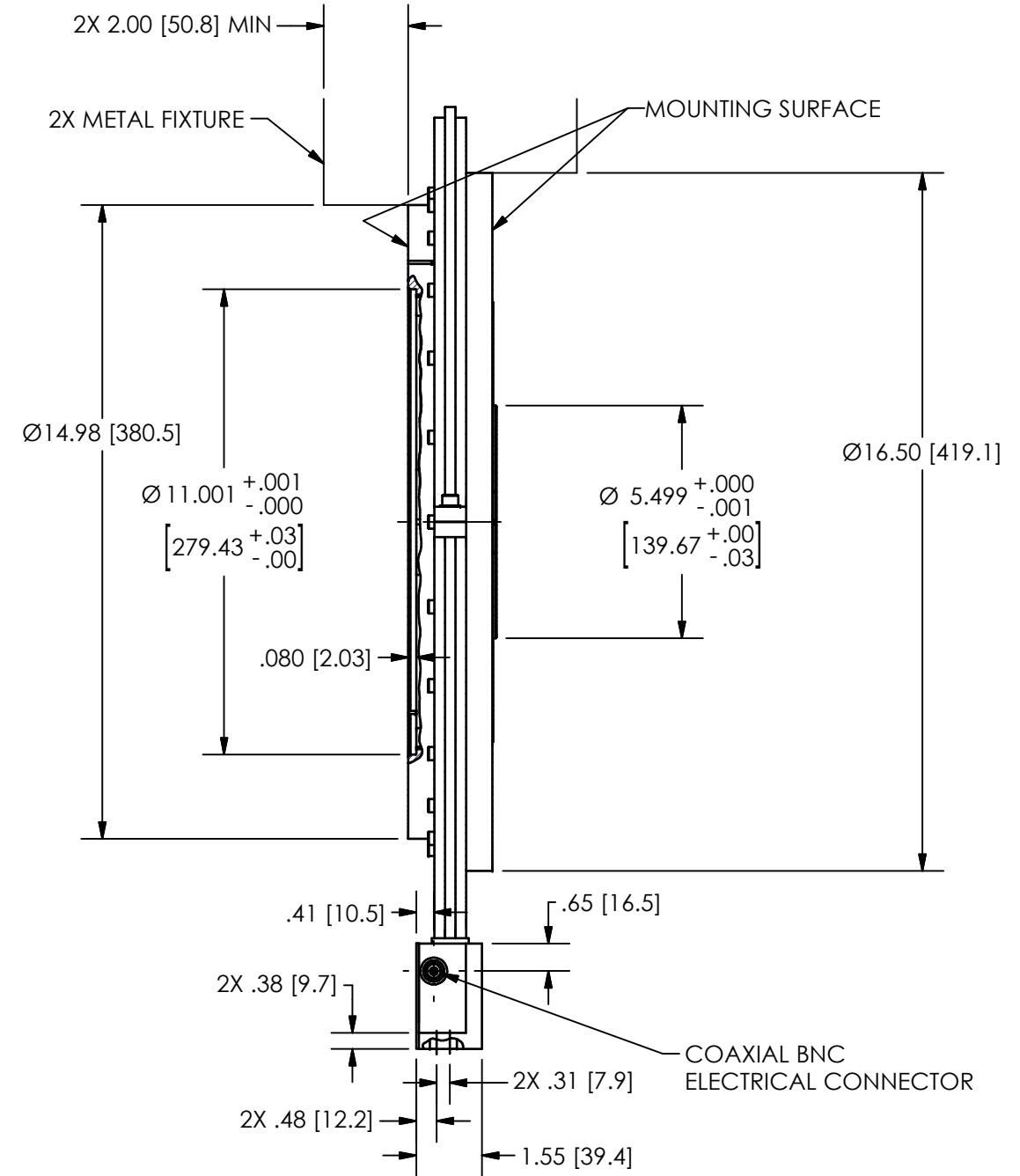
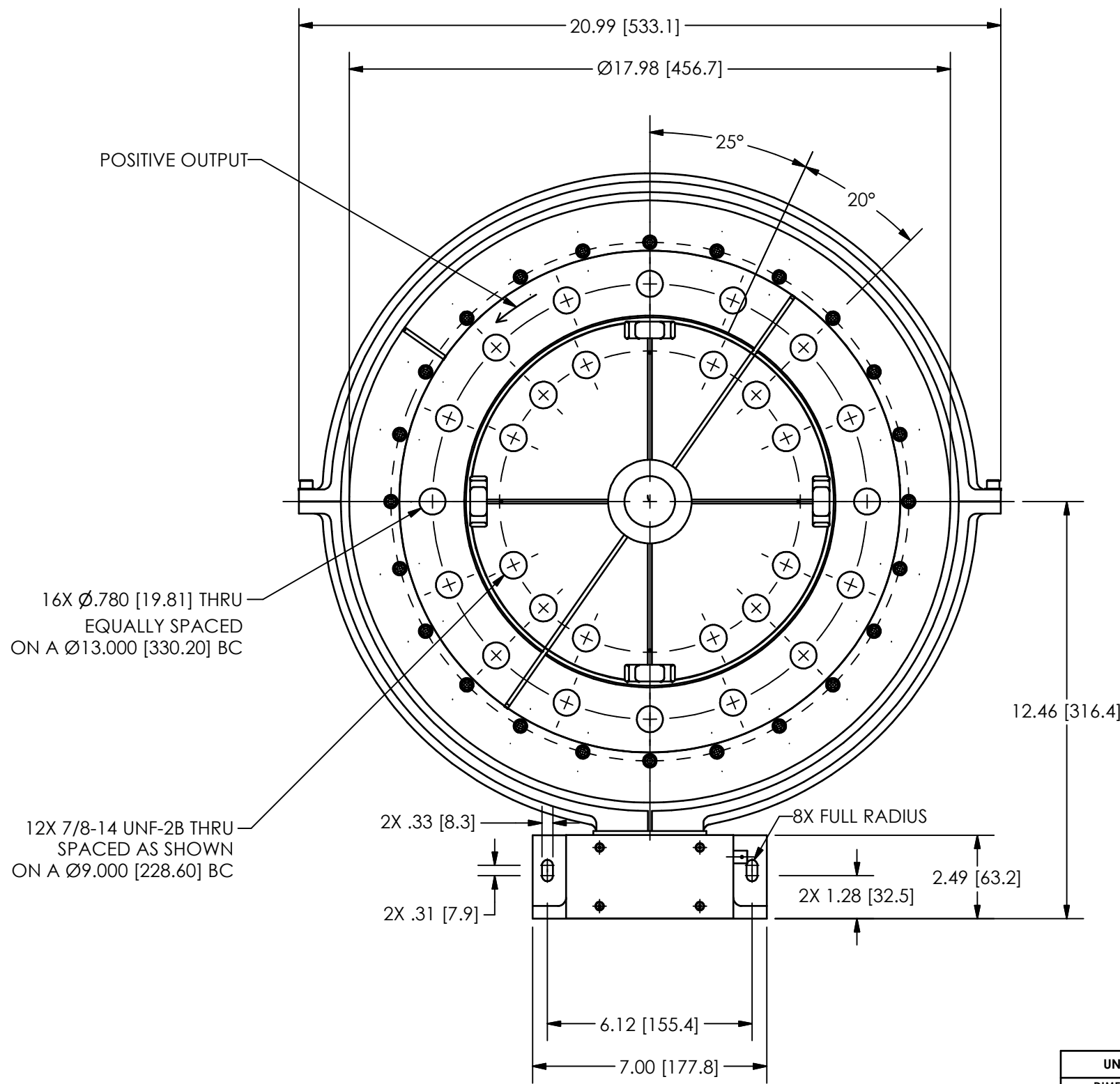


PCB Load & Torque Inc. claims proprietary rights in the information disclosed hereon. Neither it nor any reproduction thereof will be disclosed to others without the written consent of PCB Load and Torque Inc.

REVISIONS		
REV	DESCRIPTION	DIN
D	UPDATED FORMAT	38170
E	CORRECTED ERROR, WAS [288.6] - Z4A, 06.05.13, PTE	41598
F	CORRECTED ERROR, THREAD WAS 7/8-14UNC - Z4A, 06.19.13, PTE	41672

24721



UNLESS OTHERWISE SPECIFIED TOLERANCES ARE:		DRAWN	CHECKED	ENGINEER	 PCB LOAD & TORQUE A PCB GROUP COMPANY		
DIMENSIONS IN INCHES	DIMENSIONS IN MILLIMETERS [IN BRACKETS]	SMB	01.13.12	JM		01.13.12	JAM
DECIMALS XX ±.01 XXX ±.005	DECIMALS X ±.3 XX ±.13	TITLE					
ANGLES ± .5 DEGREES	ANGLES ± .5 DEGREES	OUTLINE DRAWING MODEL 5310 SERIES TORKDISC					
FILLETS AND RADII .015 MAX	FILLETS AND RADII 0.38 MAX	24350 Indoplex Circle, Farmington Hills, MI 48335 (716) 684-0001 E-MAIL: linfo@pcbloadtorque.com					
		DWG. NO. 24721					
		SCALE: .25X SHEET 1 OF 1					