



Reciprocating Machinery

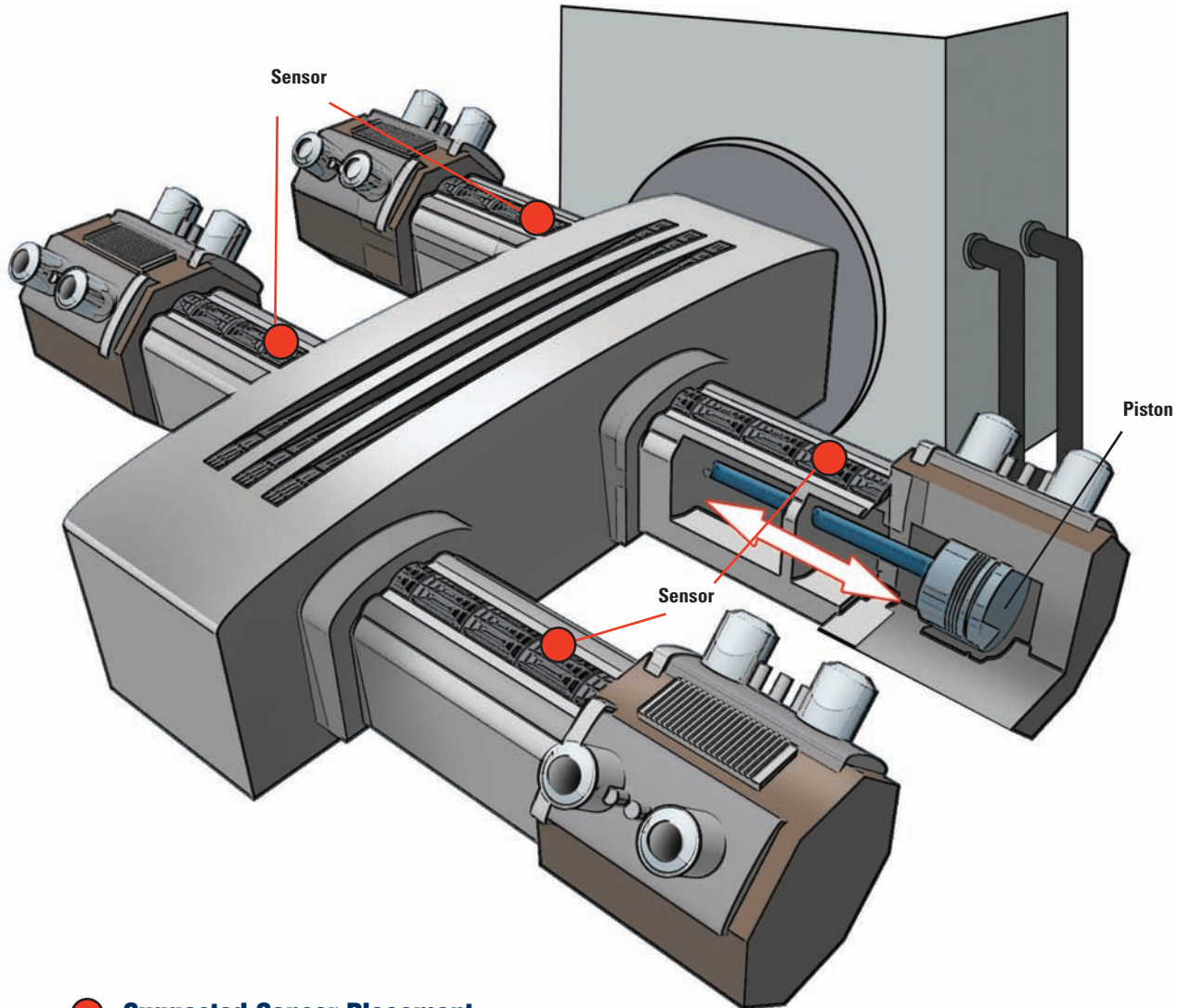
Sensors Optimized for the Unique Challenges of Protecting & Monitoring Reciprocating Machinery



Process Monitoring & Protection

Reciprocating Machinery

Years of frustrating unanticipated reciprocating compressor failures have led to the development of the new line of IMI® Reciprocating Machinery Protectors. We have learned that the proven successful methods of condition monitoring on rotating equipment do not yield good results on reciprocating devices. IMI® has developed the RMP product line to detect impacts caused by looseness of internal parts. Depending on the amplitude of the impact and how many times the impact occurs within a specified time window, the appropriate 4-20 mA signal is provided. The industry leading USB Programming capability makes it easy to match the RMP to any reciprocating application. For properly running machinery, the IMI® RMP allows you to trend peak acceleration data.



● Suggested Sensor Placement



Sensors for Compressors - Process Monitoring & Protection



- 4-20 mA Pressure Sensor**
Series 1503
- Mounts on the compressor
 - Withstands sour gas environments
 - 1/2" NPT fitting



- Reciprocating Machinery Protector**
Model 649A01
- Detects faults / mechanical looseness in reciprocating compressors
 - Outperforms impact transmitters
 - Continuous trending, with alarm & alert levels for early warning

USB PROGRAMMABLE

Industry Exclusive!

Product Spotlight

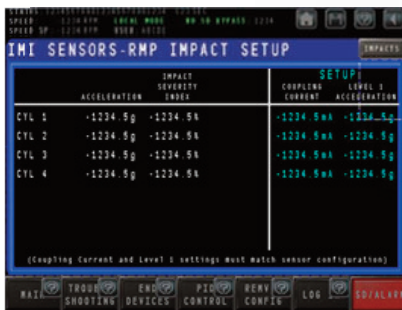
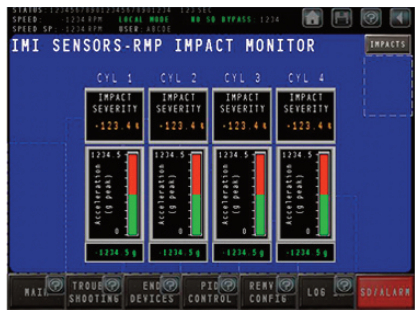
USB Programming Kits

- Customize settings on your USB programmable sensor
- Power-on, startup, & operating delays
- Kit includes CD-ROM software & cable adapters

USB PROGRAMMABLE



Industry Exclusive!





Corporate Headquarters - Depew, NY



The Global Leader in Sensors & Instrumentation For All Your Industrial Applications!

- Motor Vibration
- Pumps & Submersible Pumps
- Paper Machines & Conveyors
- Combustion Dynamics Instrumentation
- Cooling Towers & HVAC
- Gearboxes
- Wind Turbine Condition Monitoring
- Oil & Gas Wells and Pipelines
- Vibration Screens & Feeders
- Reciprocating Machinery
- Machine Tool Spindles
- Steel Rolling & Annealing
- Rotary Screw Compressors
- Nuclear Power Instrumentation
- Shock Monitoring

IMI Sensors Platinum Stock Products represent some of our most popular models and can be used in a wide range of applications. As you browse this brochure, you will find Platinum Products indicated with the "Platinum Shield" icon (right).



Our Platinum Products are available with our Lifetime Warranty and fast delivery. If for any reason you are not 100% satisfied with your IMI Sensors Platinum Stock Product, we will repair, replace or exchange the product at no charge. For U.S. customers, all IMI Sensors Platinum Stock Products will ship within 24 hours. IF NOT, YOUR SHIPPING IS FREE!

Visit www.imi-sensors.com for complete details.

IMI SENSORS

A PCB PIEZOTRONICS DIV.

Corporate Headquarters 3425 Walden Avenue Depew, NY 14043-2495 USA

Toll-free in the USA 800-959-4464 ■ **24-hour SensorLineSM** 716-684-0003

Fax 716-684-3823 ■ **Email** imi@pcb.com ■ **Website** www.imi-sensors.com

AS9100 CERTIFIED ■ ISO 9001 CERTIFIED ■ A2LA ACCREDITED to ISO 17025

© 2013 PCB Group, Inc. In the interest of constant product improvement, specifications are subject to change without notice. PCB, ECHO, ICP, IMI, Modally Tuned, Spindler, Swiveler and TORKDISC are registered trademarks of PCB Group. SoundTrack LXT, Spark and Blaze are registered trademarks of PCB Piezotronics. SensorLine is a service mark of PCB Group. All other trademarks are properties of their respective owners. PCB is an EOE/AAEP Employer.

IMI-App-Recip-0513

Printed in U.S.A.

