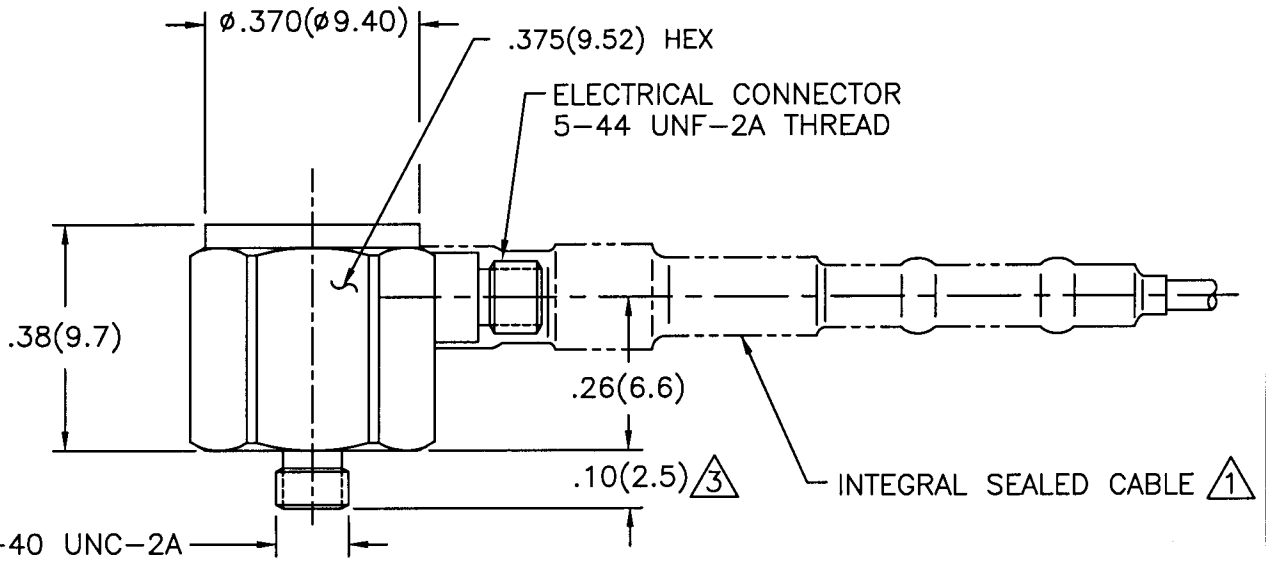


8294

PCB Piezotronics Inc. claims proprietary rights in the information disclosed hereon. Neither it, nor any reproduction thereof will be disclosed to others without written consent of PCB Piezotronics Inc.

APPLICATION		
NEXT ASS'Y	USED ON	VAR

REVISIONS				
REV	DESCRIPTION	ECN	DATE	APP'D
A	REVISED PER ECN	10655	7/14/99	
B	BOTTOM DIAMETER DELETED	11737	4/13/00	smh/2



- ③ STUD REMOVED FOR SENSOR WITH ADHESIVE MOUNT OPTION.
- ② M3 X 0.50-6g FOR SENSOR WITH METRIC OPTION.
- ① ADD CABLE FOR SENSOR WITH WATER RESISTANT CONNECTOR OPTION.

UNLESS SPECIFIED TOLERANCES		DRAWN				PCB PIEZOTRONICS™	
DIMENSIONS IN INCHES	DIMENSIONS IN MILLIMETERS (IN PARENTHESIS)	CHK'D	ENGR	SALES	CODE IDENT. NO.	DWG. NO.	8294
DECIMALS XX ±.01 XXX ±.005	DECIMALS XX ±0.3 XXX ±0.13	APP'D	SALES	SALES	52681		
ANGLES ±2 DEGREES	ANGLES ±2 DEGREES	TITLE				SCALE: 3X	
FILLETS AND RADII .003 - .005	FILLETS AND RADII (0.07 - 0.13)	OUTLINE DRAWING MODEL J352C65 GROUND ISOLATED ACCELEROMETER				SHEET 1 OF 1	
DD011 REV. B 03/13/98							