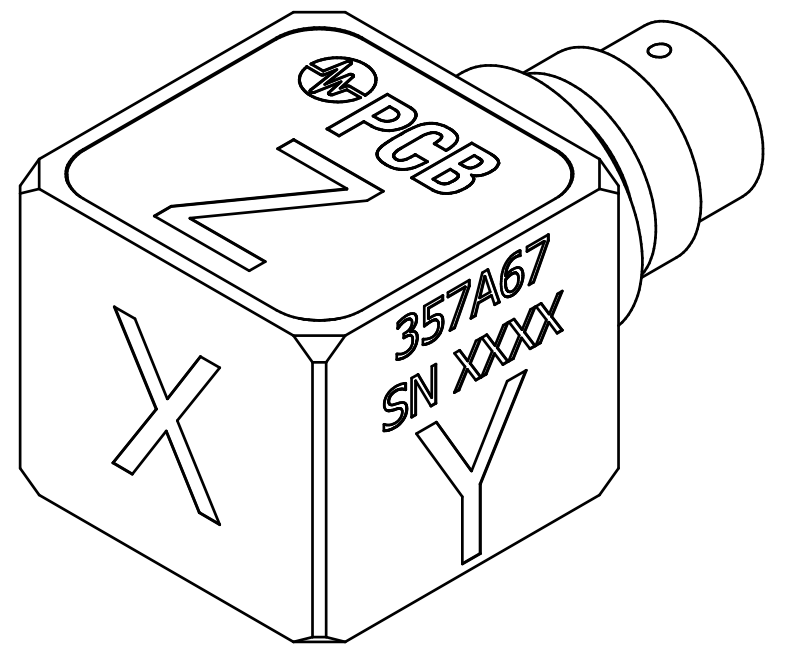
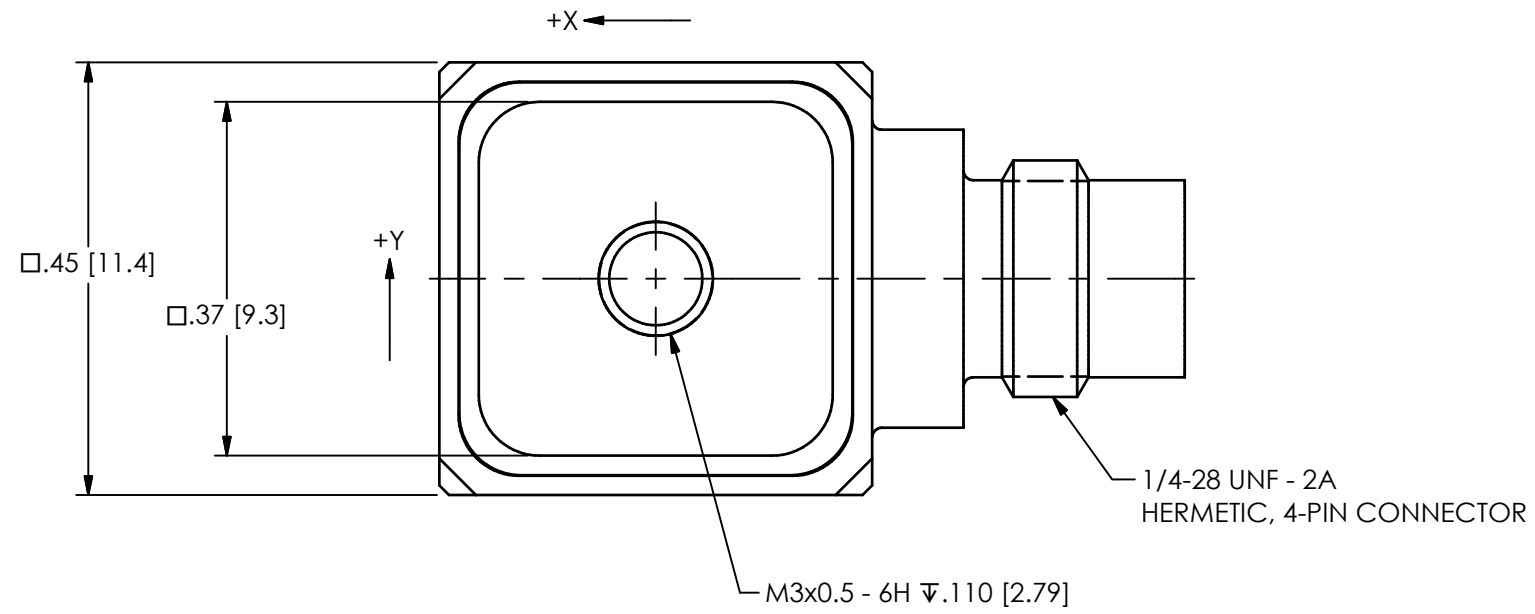
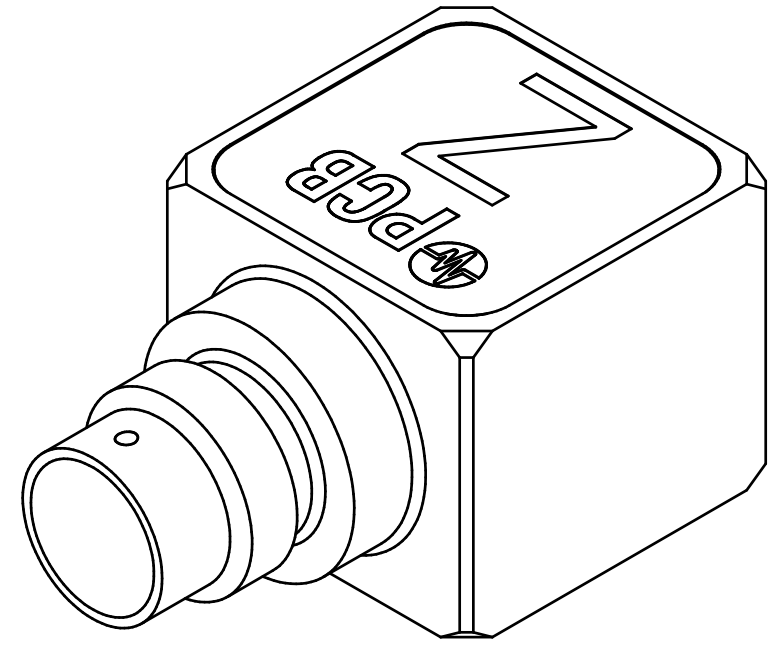
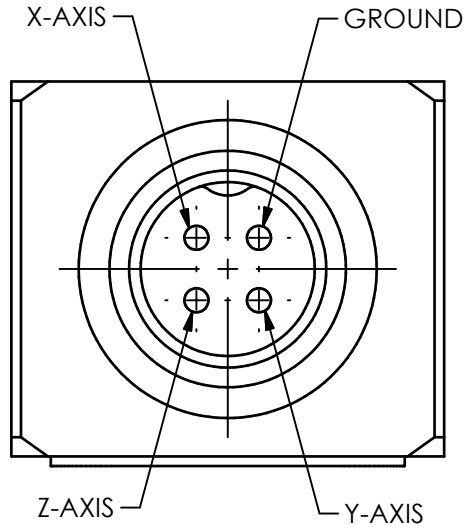
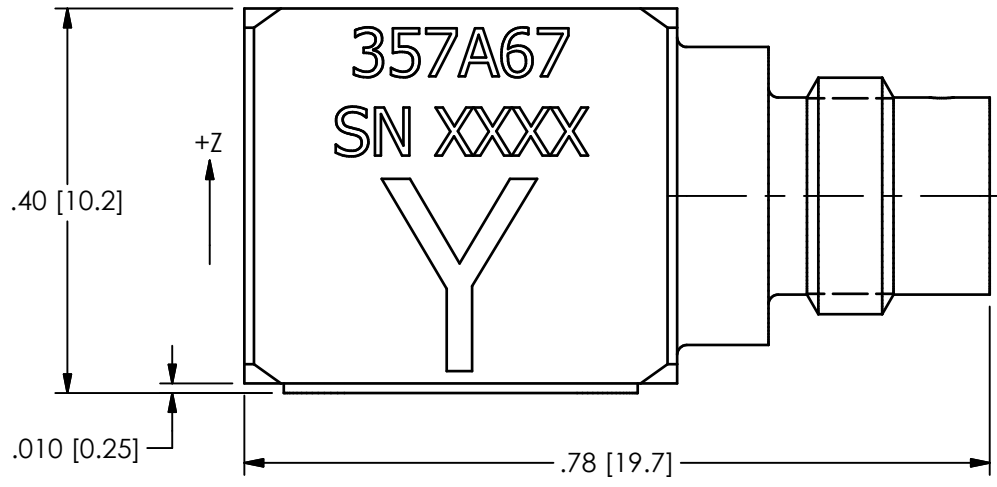


69463

PCB Piezotronics Inc. claims proprietary rights in the information disclosed hereon. Neither it nor any reproduction thereof will be disclosed to others without the written consent of PCB Piezotronics Inc.

REVISIONS		
REV	DESCRIPTION	DIN
NR	RELEASED TO DRAFTING	54747



UNLESS OTHERWISE SPECIFIED TOLERANCES ARE:		DRAWN		CHECKED		ENGINEER		PCB PIEZOTRONICS AN AMPHENOL COMPANY		
DIMENSIONS IN INCHES		KSR	4/26/24	KSR	4/26/24	MJN	4/26/24	3425 WALDEN AVE. DEPEW, NY 14043 (716) 684-0001 E-MAIL: sales@pcb.com		
DECIMALS XX ±.03 XXX ±.010		TITLE						CODE IDENT. NO.	SIZE	DWG. NO.
ANGLES ± 2 DEGREES								52681	B	69463
CABLE TOLERANCES IN ENGLISH		OUTLINE DRAWING MODEL 357A67 TRIAxIAL ACCELEROMETER						SCALE:	5X	SHEET 1 OF 1
1" ≤ LENGTH < 1' = +1"/-0 1' ≤ LENGTH < 5' = +2"/-0 5' ≤ LENGTH < 100' = +6"/-0 100' ≤ LENGTH = +1"/-0								CABLE TOLERANCES IN METRIC		2.54cm ≤ LENGTH < 30.5cm = +2.54cm/-0 30.5cm ≤ LENGTH < 1.5m = +5.1cm/-0 1.5m ≤ LENGTH < 30.5m = +15.2cm/-0 30.5m ≤ LENGTH = +30.5cm/-0
FILLETS AND RADII		FILLETS AND RADII		FILLETS AND RADII		FILLETS AND RADII		0.07 - 0.13		