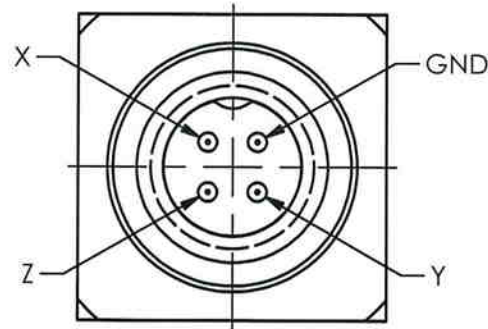
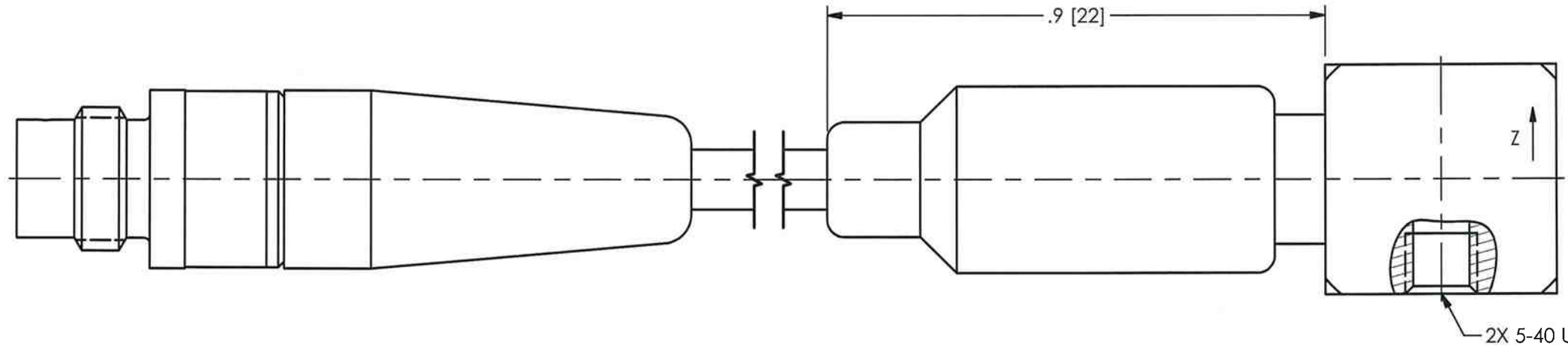
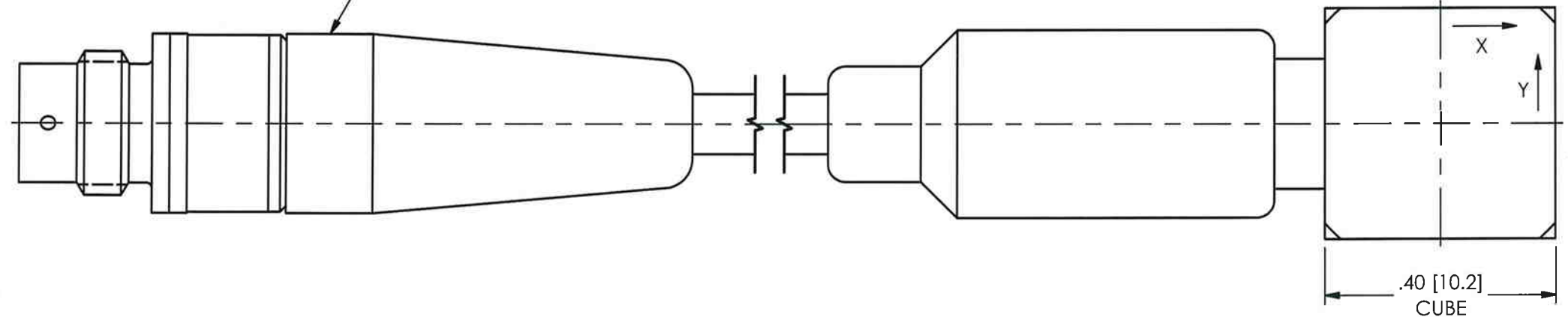


PCB Piezotronics Inc. claims proprietary rights in the information disclosed hereon. Neither it nor any reproduction thereof will be disclosed to others without the written consent of PCB Piezotronics Inc.

42541

REVISIONS		
REV	DESCRIPTION	ECO
NR	RELEASED TO DRAFTING	

ATTACHED WATERPROOF INTEGRAL CABLE
15 FEET [4.6 METERS] LONG TERMINATING
IN 4 PIN $\frac{1}{4}$ -28 HERMETIC CONNECTOR



UNLESS OTHERWISE SPECIFIED TOLERANCES ARE:		DRAWN	8MB	3/26/09	MFG	AL	4/1/09	 3425 WALDEN AVE. DEPEW, NY 14043 (716) 684-0001 E-MAIL: sales@pcb.com
DIMENSIONS IN INCHES	DIMENSIONS IN MILLIMETERS [IN BRACKETS]	CHK'D	ECB	3/30/09	ENGR	NJL	3/30/09	
DECIMALS XX ±.03 XXX ±.010	DECIMALS X ±.08 XX ±.25	APP'D	RJL	4/30/09	SALES	RJL	3/30/09	
ANGLES ± 2 DEGREES	ANGLES ± 2 DEGREES	TITLE		OUTLINE DRAWING MODEL 356M210 TRIAx ACCEL W/ WATERPROOF CABLE		CODE IDENT. NO. 52681	DWG. NO. 42541	
FILLETS AND RADII .003 - .005	FILLETS AND RADII [0.07 - 0.13]	SCALE: 4X		SHEET 1 OF 1				