

26181

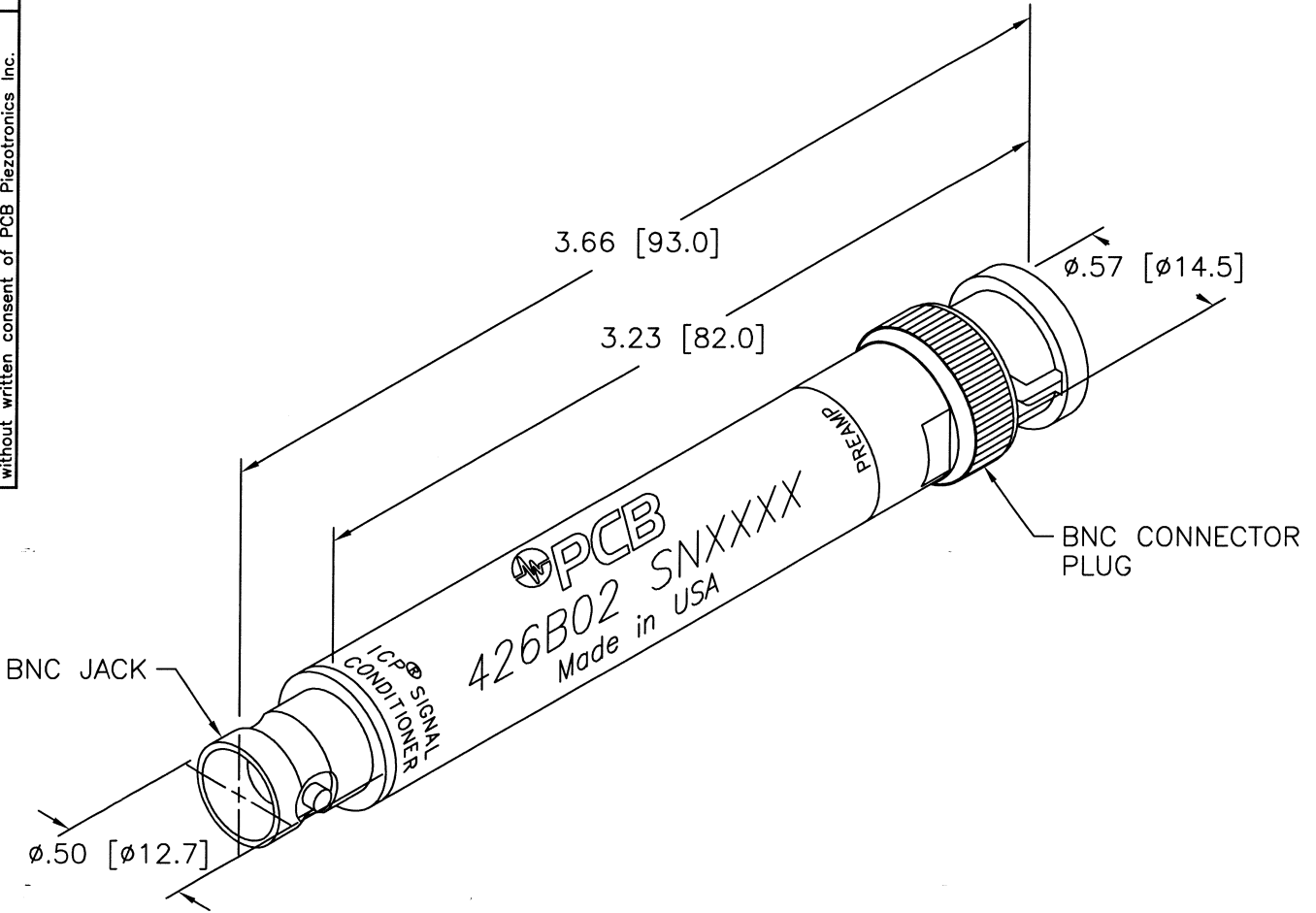
PCB Piezotronics Inc. claims proprietary rights in the information disclosed herein. Neither it, nor any reproduction thereof will be disclosed to others without written consent of PCB Piezotronics Inc.

APPLICATION

NEXT ASS'Y	USED ON	VAR

REVISIONS

REV	DESCRIPTION	ECN	DATE	APP'D
NR	RELEASED TO DRAFTING		5/10/04	DM5/04
A	UPDATED DWG	23560	2/27/06	EB 2/06



UNLESS SPECIFIED TOLERANCES

DIMENSIONS IN INCHES	DIMENSIONS IN MILLIMETERS [IN BRACKETS]
DECIMALS XX ±.01 XXX ±.005	DECIMALS X ±0.3 XX ±0.13
ANGLES ±2 DEGREES	ANGLES ±2 DEGREES
FILLETS AND RADII .003 - .005	FILLETS AND RADII [0.07 - 0.13]

DRAWN	<i>Jan 2/2/06</i>	MFG	<i>AL 1/10/06</i>
CHK'D	<i>ECB 2/29/06</i>	ENGR	<i>CCX 2/29/06</i>
APP'D	<i>JS 3/7/06</i>	SALES	<i>MSV 3/1/06</i>
TITLE OUTLINE DRAWING MODEL 426B02 INLINE A-WEIGHT FILTER			

PCB PIEZOTRONICS INC.
 3425 WALDEN AVE. DEPEW, NY 14043
 (716) 684-0001 EMAIL: SALES@PCB.COM

CODE IDENT. NO. 52681	DWG. NO. 26181
SCALE: .75X	
SHEET 1 OF 1	