

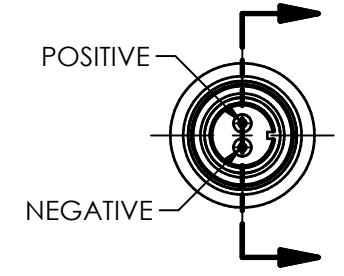
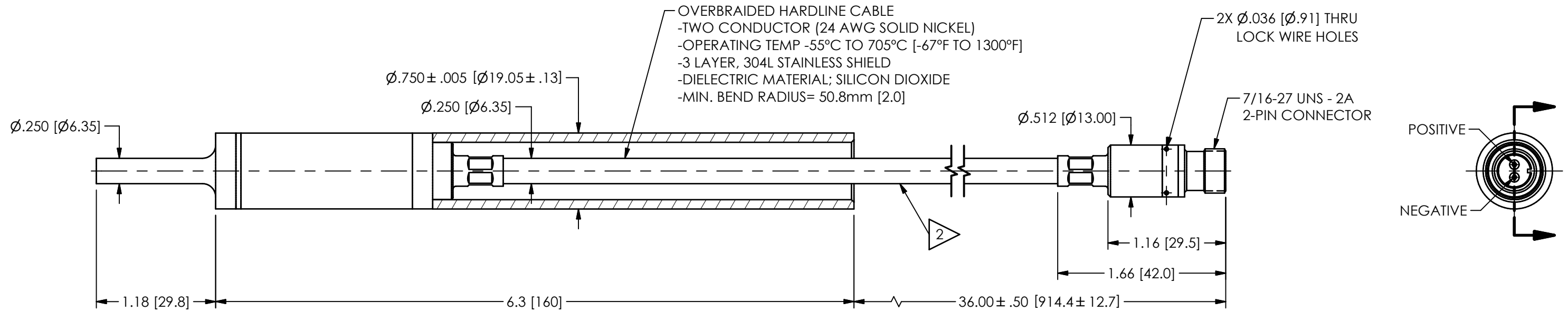
PCB Piezotronics Inc. claims proprietary rights in the information disclosed hereon. Neither it nor any reproduction thereof will be disclosed to others without the written consent of PCB Piezotronics Inc.

62631

**RELATED DRAWING**

NO MODIFICATIONS PERMITTED WITHOUT THE APPROVAL OF THE AUTHORIZED PERSON

REVISIONS		
REV	DESCRIPTION	DIN
C	UPDATED OD TOLERANCE	54686



1.) PROBE CASE MATERIAL IS INCONEL 600 INTEGRAL OVER-BRAIDED HARDLINE CABLE

UNLESS OTHERWISE SPECIFIED TOLERANCES ARE:				DRAWN		CHECKED		ENGINEER	
DIMENSIONS IN INCHES		DIMENSIONS IN MILLIMETERS [IN BRACKETS]		NJF	04/16/24	JDM	04/16/24	BAB	04/16/24
DECIMALS XX ±.03	DECIMALS X ± 0.8	DECIMALS XXX ±.010	DECIMALS XX ± 0.25	TITLE					
ANGLES ± 2 DEGREES	ANGLES ± 2 DEGREES	OUTLINE DRAWING MODEL 176M42/176M51 PRESSURE SENSOR							
CABLE TOLERANCES IN ENGLISH		CABLE TOLERANCES IN METRIC		CODE IDENT. NO.		SIZE		DWG. NO.	
1" ≤ LENGTH < 1'	= +1"/ - 0	2.54cm ≤ LENGTH < 30.5cm	= +2.54cm/ - 0	52681	B	62631		SCALE: FULL SHEET 1 OF 1	
1' ≤ LENGTH < 5'	= +2"/ - 0	30.5cm ≤ LENGTH < 1.5m	= +5.1cm/ - 0						
5' ≤ LENGTH < 100'	= +6"/ - 0	1.5m ≤ LENGTH < 30.5m	= +15.2cm/ - 0						
100' ≤ LENGTH	= +1'/ - 0	30.5m ≤ LENGTH	= +30.5cm/ - 0						
FILLETS AND RADII .003 - .005		FILLETS AND RADII 0.07 - 0.13							

**PCB PIEZOTRONICS**  
AN AMPHENOL COMPANY

3425 WALDEN AVE. DEPEW, NY 14043  
(716) 684-0001 E-MAIL: sales@pcb.com