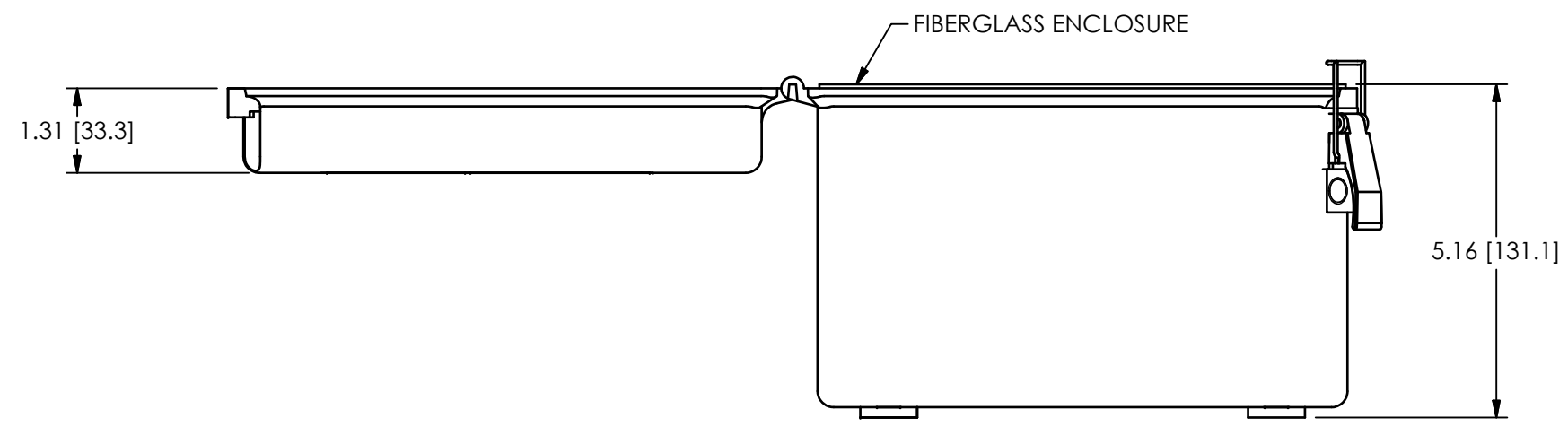
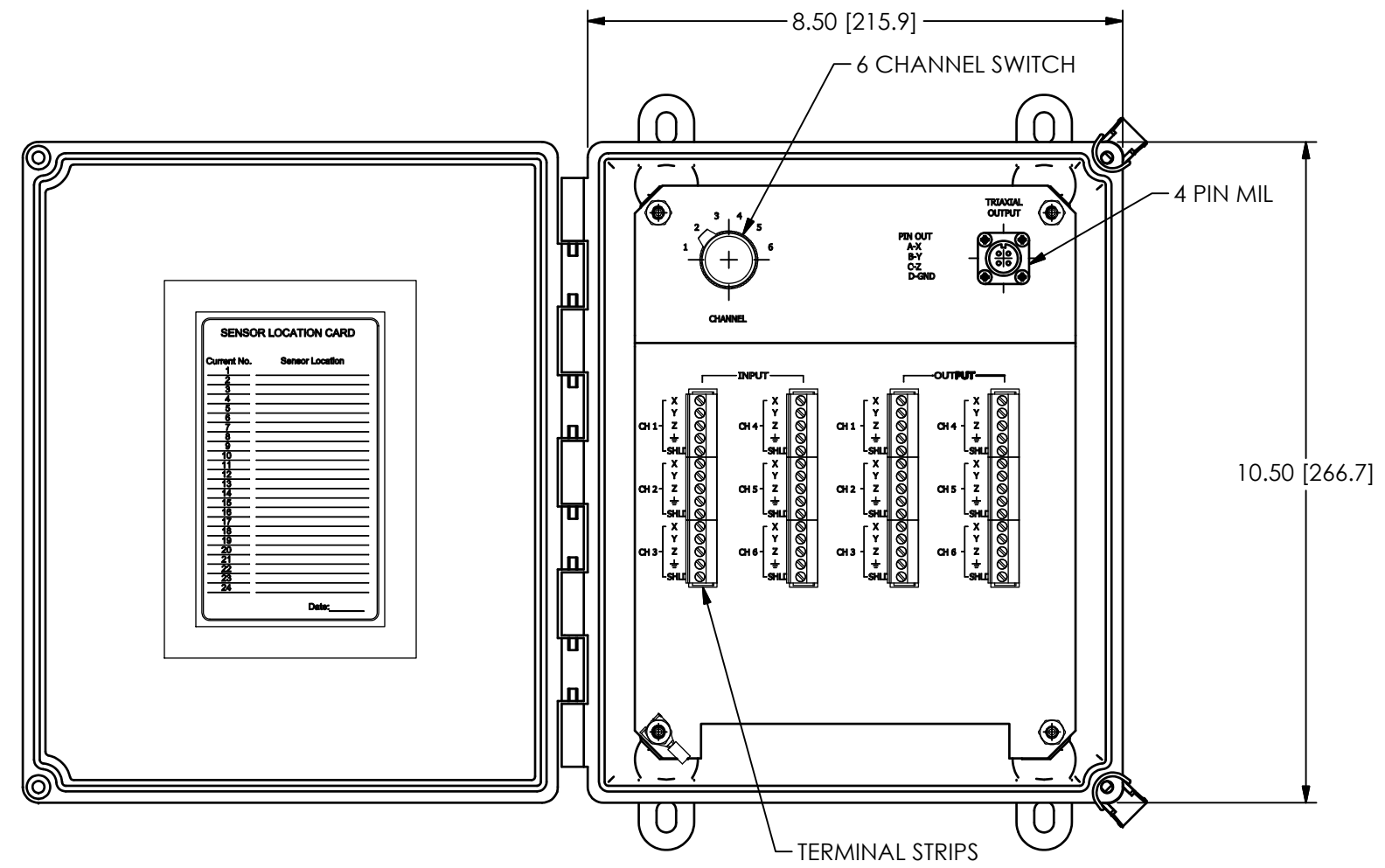


PCB Piezotronics Inc. claims proprietary rights in the information disclosed hereon. Neither it nor any reproduction thereof will be disclosed to others without the written consent of PCB Piezotronics Inc.

68794

REVISIONS		
REV	DESCRIPTION	DIN
A	UPDATED ARTWORK	49302



UNLESS OTHERWISE SPECIFIED TOLERANCES ARE:		DRAWN		CHECKED		ENGINEER	
DIMENSIONS IN INCHES	DIMENSIONS IN MILLIMETERS [IN BRACKETS]	JDM	4/10/19	JDM	4/10/19	GGG	4/10/19
DECIMALS XX ±0.03 XXX ±0.010	DECIMALS X ±0.8 XX ±0.25	TITLE OUTLINE DRAWING MODEL 691A84 6 CHANNEL TRIAX SWITCH BOX					
ANGLES ± 2 DEGREES	ANGLES ± 2 DEGREES						
FILLETS AND RADII .003 - .005	FILLETS AND RADII 0.07 - 0.13	CODE IDENT. NO. 52681		DWG. NO. 68794		SCALE: .375X SHEET 1 OF 1	

**PCB PIEZOTRONICS**  
3425 WALDEN AVE. DEPEW, NY 14043  
(716) 684-0001 E-MAIL: sales@pcb.com