

2

1

PCB Piezotronics Inc. claims proprietary rights in the information disclosed hereon. Neither it nor any reproduction thereof will be disclosed to others without the written consent of PCB Piezotronics Inc.

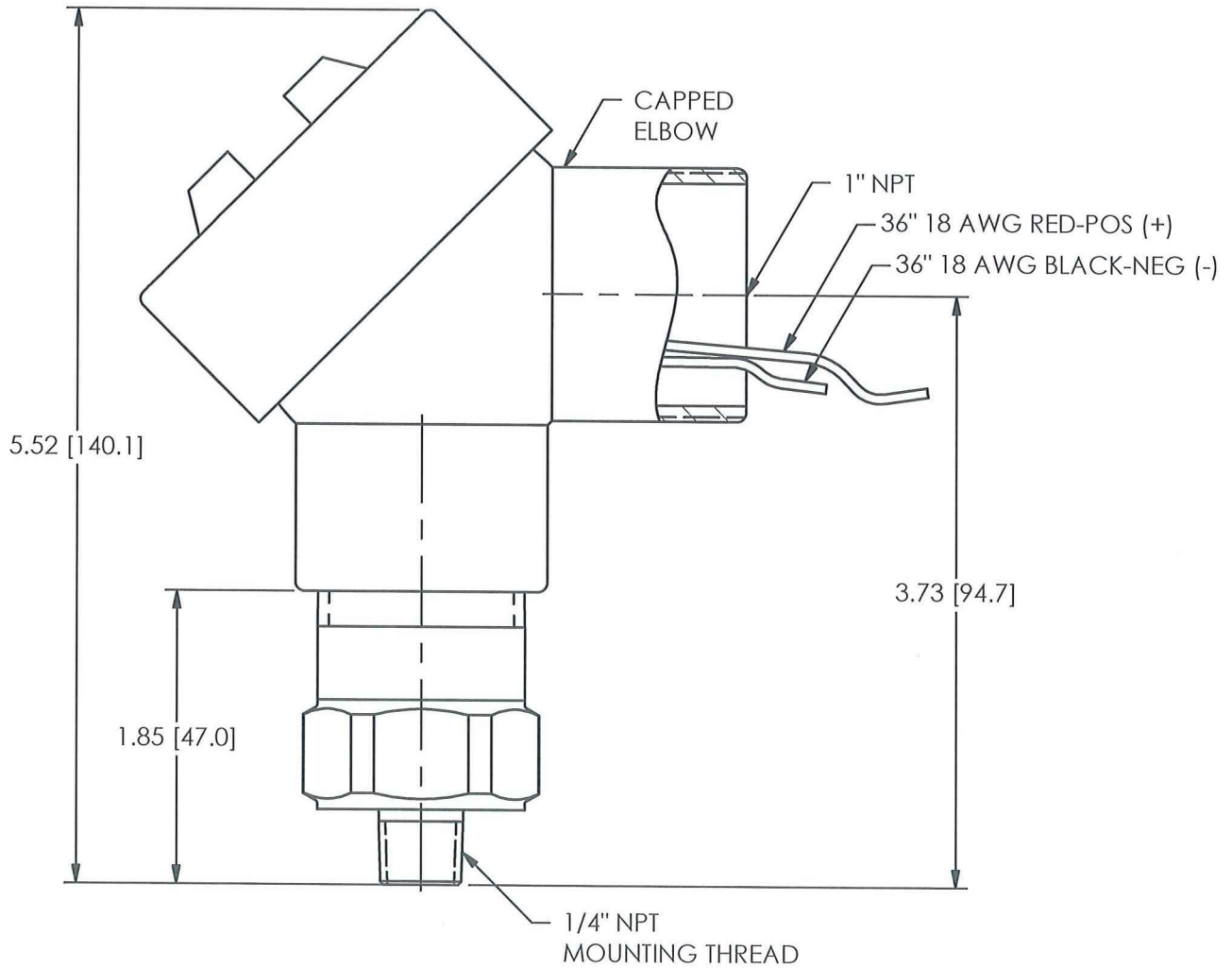
REVISIONS

| REV | DESCRIPTION | DIN |
|-----|--------------------|-------|
| A | UPDATED MODEL INFO | 42133 |

56066

RELATED DRAWING

NO MODIFICATIONS PERMITTED WITHOUT THE APPROVAL OF THE AUTHORIZED PERSON



UNLESS OTHERWISE SPECIFIED TOLERANCES ARE:

| DRAWN | | CHECKED | | ENGINEER | |
|-------|---------|---------|--|----------|---------|
| JDM | 6/13/13 | | | GS | 6/13/13 |



3425 WALDEN AVE. DEPEW, NY 14043
(716) 684-0001 E-MAIL: sales@pcb.com

DIMENSIONS IN INCHES

DECIMALS XX ±.03
XXX ±.010

ANGLES ± 2 DEGREES

DIMENSIONS IN MILLIMETERS [IN BRACKETS]

DECIMALS X ± 0.8
XX ± 0.25

ANGLES ± 2 DEGREES

FILLETS AND RADII
.003 - .005

FILLETS AND RADII
0.07 - 0.13

TITLE
OUTLINE DRAWING
MODEL CS64XB9Y
4-20mA VELOCITY SENSOR

CODE IDENT. NO.
52681

DWG. NO.
56066

SCALE: .875X

SHEET 1 OF 1

2

1