

2

1

APPLICATION

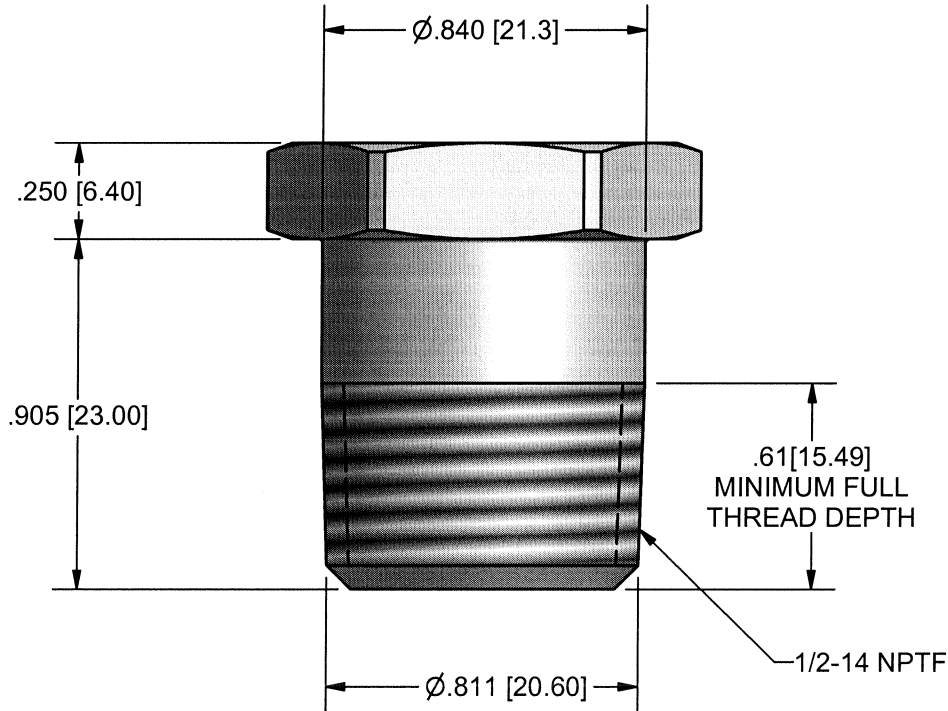
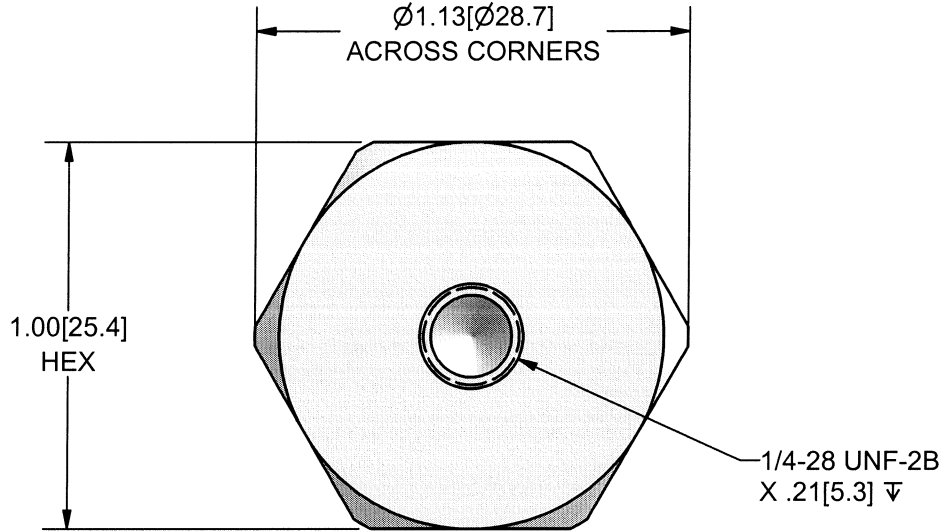
REVISIONS

NEXT ASS'Y	USED ON	VAR

REV	DESCRIPTION	ECN	APP'D
NR	RELEASED TO DRAFTING		ECB 9 <sub>2</sub> 05

31530

PCB Piezotronics Inc. claims proprietary rights in the information disclosed hereon. Neither it nor any reproduction thereof will be disclosed to others without the written consent of PCB Piezotronics Inc.



UNLESS OTHERWISE SPECIFIED TOLERANCES ARE:

DIMENSIONS IN INCHES	DIMENSIONS IN MILLIMETERS [ IN BRACKETS ]
DECIMALS XX ± .03	DECIMALS X ± 0.8
XXX ± .010	XX ± 0.25
ANGLES ± 2 DEGREES	ANGLES ± 2 DEGREES

DRAWN	RCC 9/2/05	MFG	R.D 9/15/05
CHK'D	ECB 9 <sub>2</sub> 05	ENGR	MZ 9/16/05
APP'D	W.F. 9/19/05	SALES	qpm 9/18/05
TITLE			

OUTLINE DRAWING  
MODEL 080M396  
MOUNTING BASE

**PCB PIEZOTRONICS**<sup>INC.</sup>  
3425 WALDEN AVE. DEPEW, NY 14043  
(716) 684-0001 E-MAIL: sales@pcb.com

CODE IDENT. NO. 52681	DWG. NO. <b>31530</b>
SCALE: 2X	SHEET 1 OF 1

2

1

1