

APPLICATION

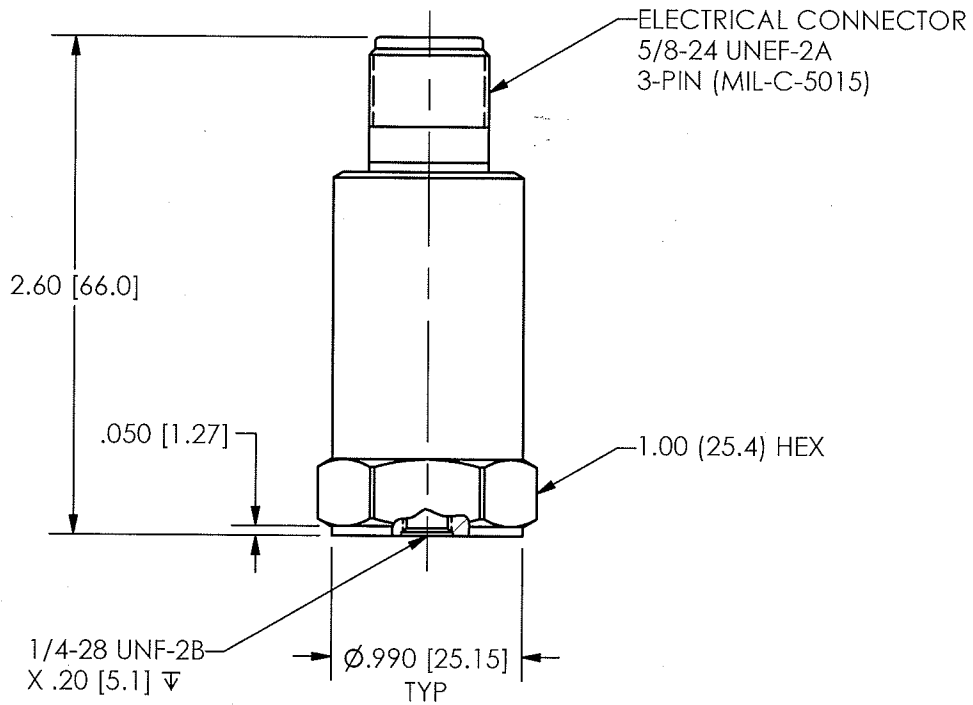
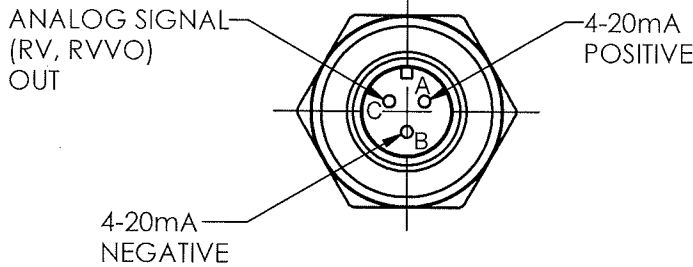
REVISIONS

NEXT ASS'Y	USED ON	VAR

REV	DESCRIPTION	ECN	APP'D
NR	RELEASED TO DRAFTING		DM 3/04
A	ADD RVVO TO MODEL DESCRIPTION	25866	ECB 2/26/07

25420

PCB Piezotronics Inc. claims proprietary rights in the information disclosed hereon. Neither it nor any reproduction thereof will be disclosed to others without the written consent of PCB Piezotronics Inc.



(RV, RVVO) 641B02	0-2 IPS RMS, 10Hz-1KHZ
(RV, RVVO) 641B02	0-1 IPS RMS, 10Hz-1KHZ
(RV, RVVO) 641B00	0-0.5 IPS RMS, 10Hz-1KHZ
(RV, RVVO) 640B02	0-2 IPS PK, 3Hz-1KHZ
(RV, RVVO) 640B01	0-1 IPS PK, 3Hz-1KHZ
(RV, RVVO) 640B00	0-0.5 IPS PK, 3Hz-1KHZ
MODEL	DESCRIPTION

UNLESS OTHERWISE SPECIFIED TOLERANCES ARE:

DIMENSIONS IN INCHES	DIMENSIONS IN MILLIMETERS [ IN BRACKETS ]
DECIMALS XX ± .03	DECIMALS X ± 0.8
XXX ± .010	XX ± 0.25
ANGLES ± 2 DEGREES	ANGLES ± 2 DEGREES

DRAWN	MDIF	2/23/07	MFG	JH	2/23/07
CHK'D	ECB	2/26/07	ENGR	MRE	2/26/07
APP'D	NR	2/26/07	SALES	JH	2/26/07
TITLE					
OUTLINE DRAWING					
MODEL (RV, RVVO) 640BOX, M,					
(RV, RVVO) 641BOX, M					
4-20mA VELOCITY TRANSMITTER					

**PCB PIEZOTRONICS**<sup>INC</sup>  
 3425 WALDEN AVE. DEPEW, NY 14043  
 (716) 684-0001 E-MAIL: sales@pcb.com

CODE IDENT. NO. 52681	DWG. NO. 25420
SCALE: FULL	SHEET 1 OF 1