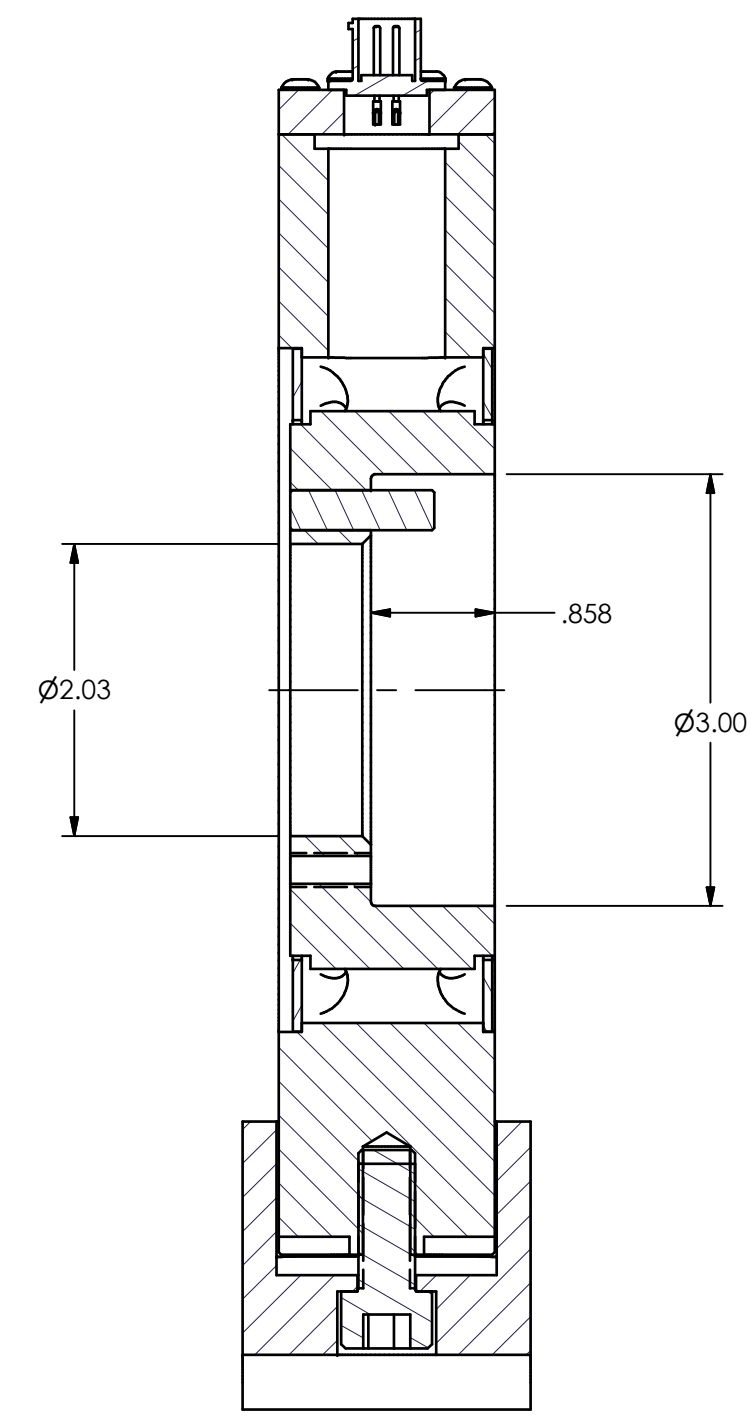


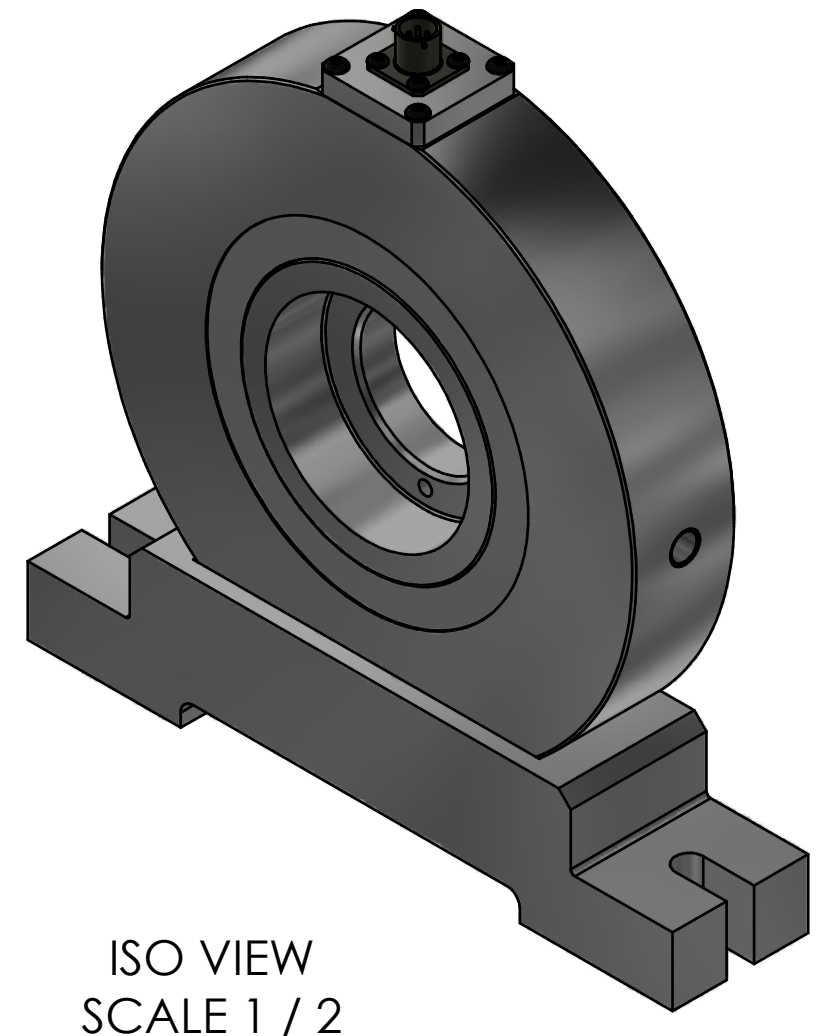
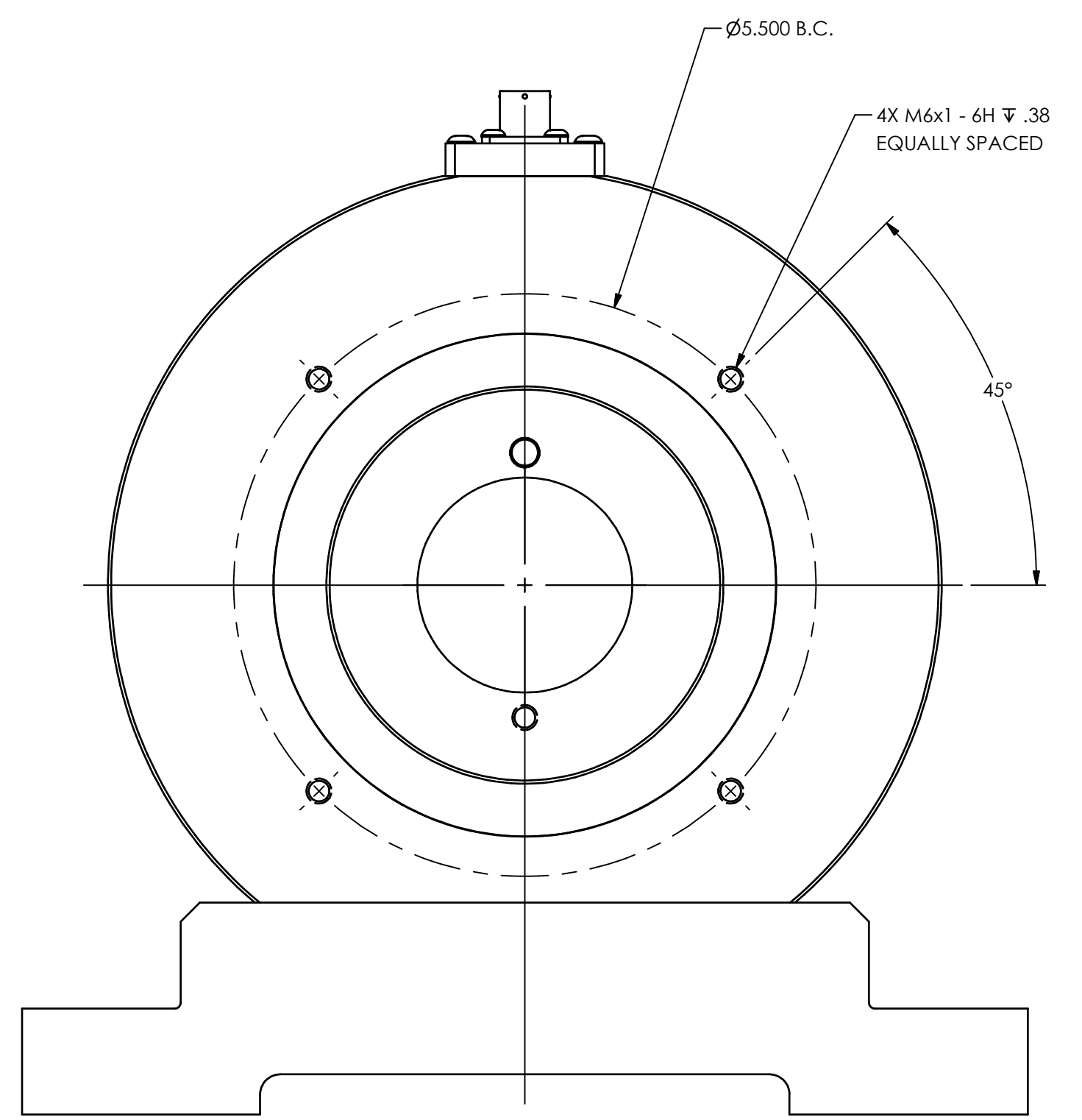
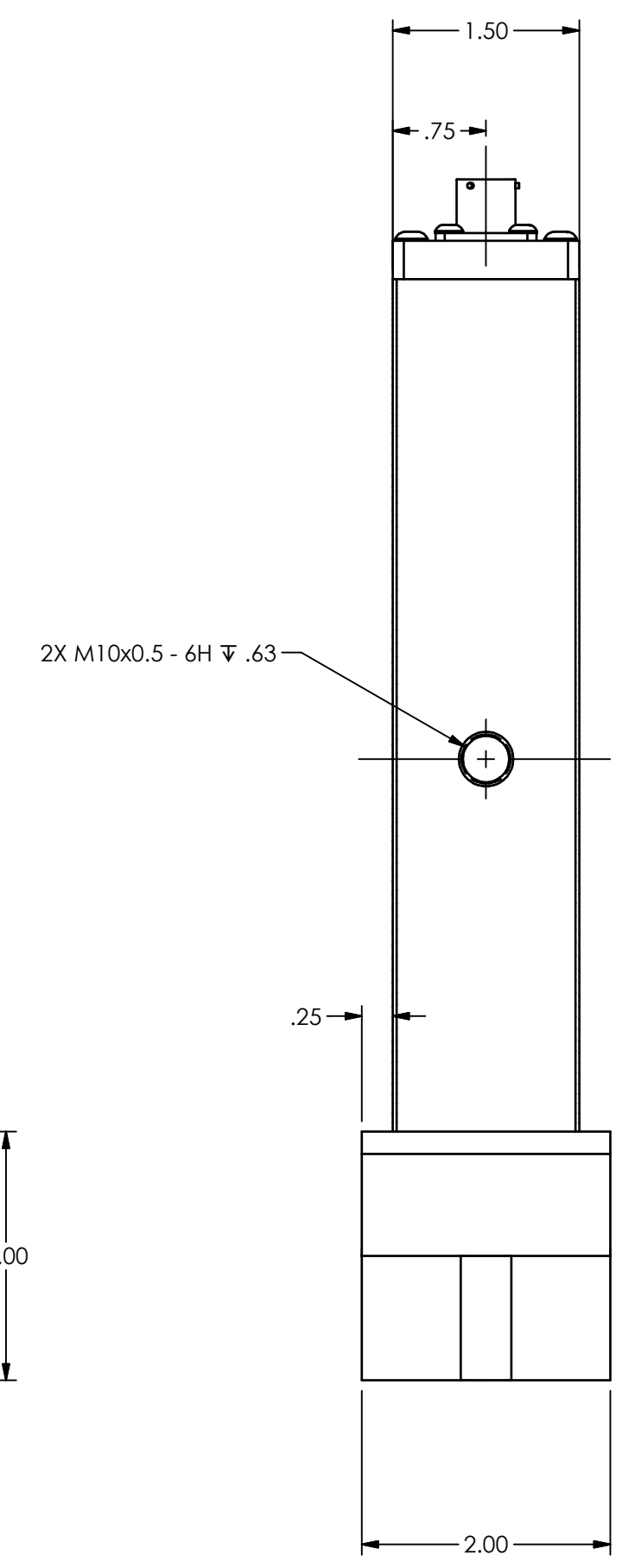
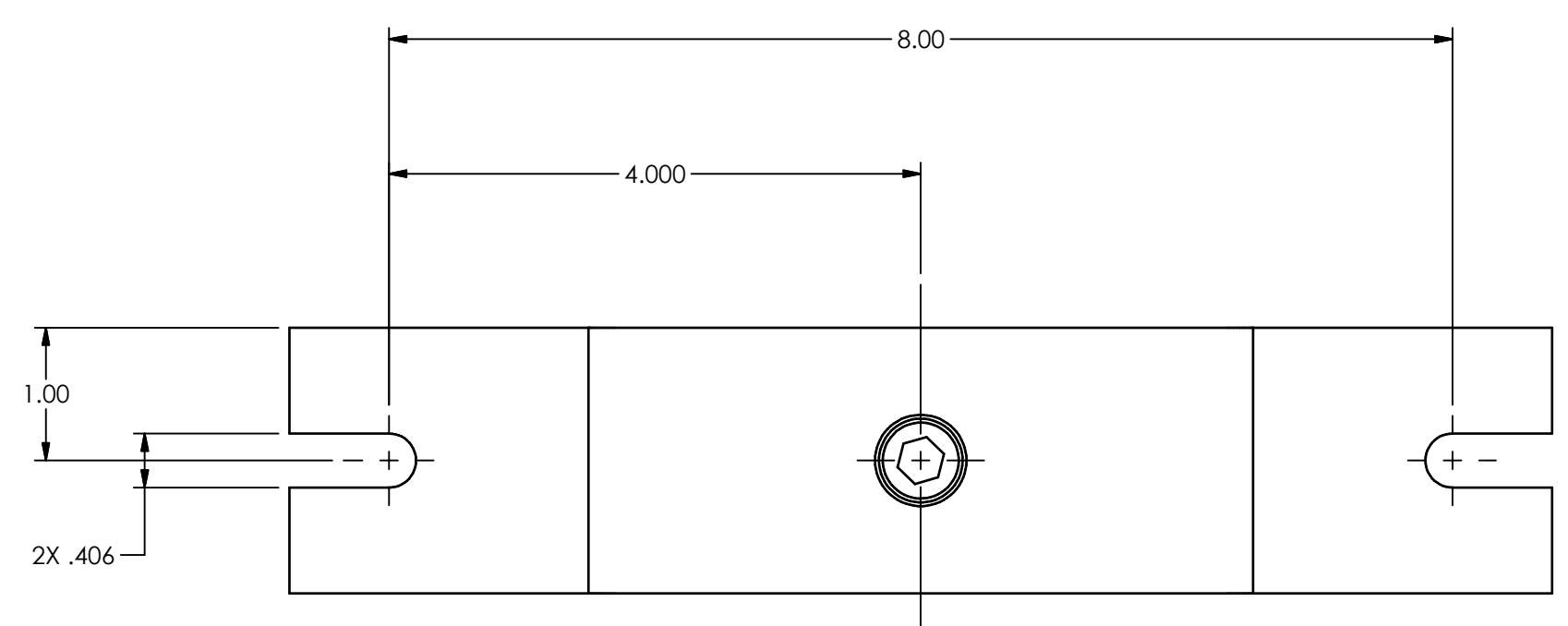
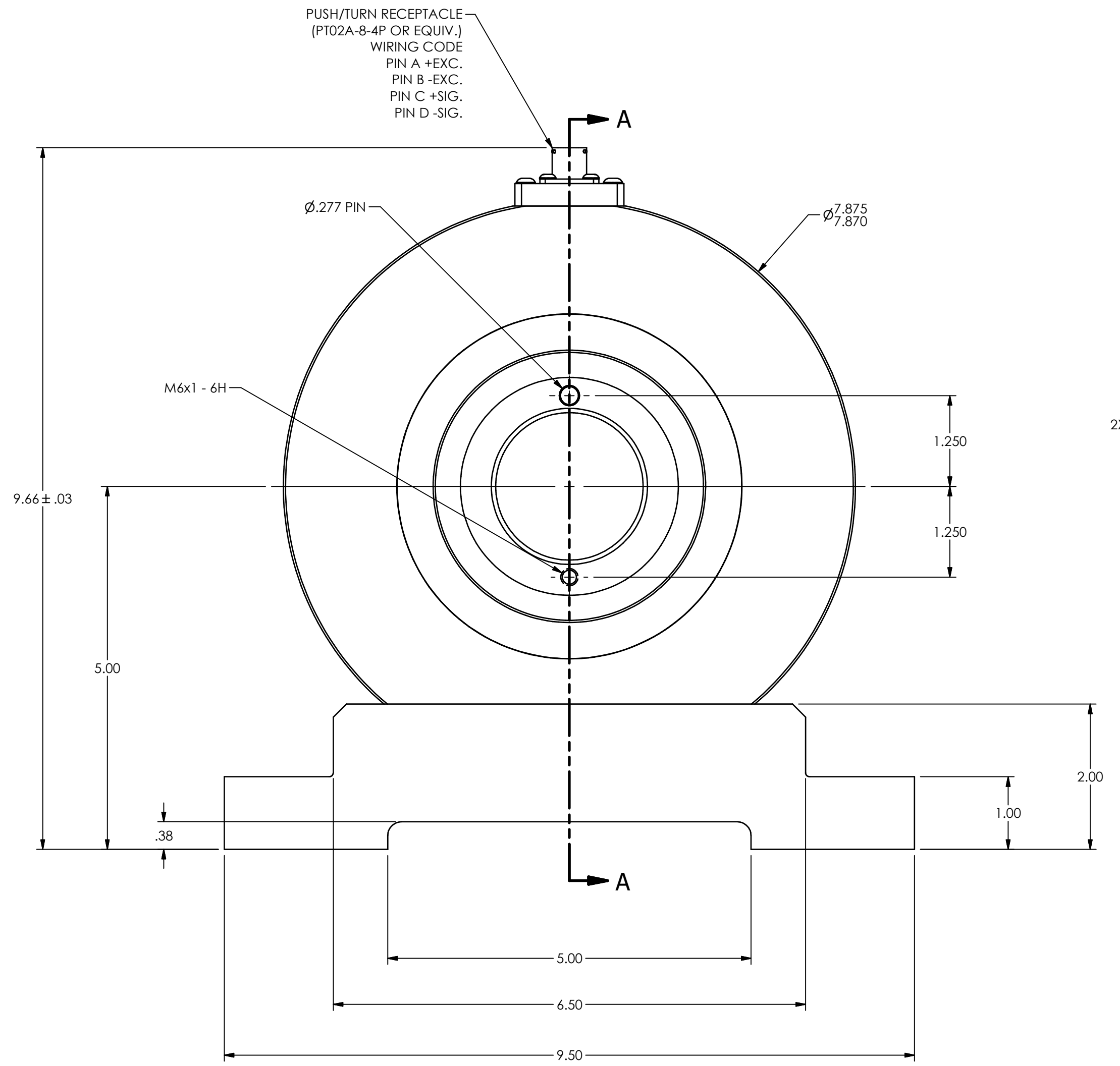
66770

PCB Load & Torque (A Division of PCB Piezotronics, Inc.) claims proprietary rights in the information disclosed herein. Neither it nor any reproduction thereof will be disclosed to others without the written consent of PCB Load and Torque.

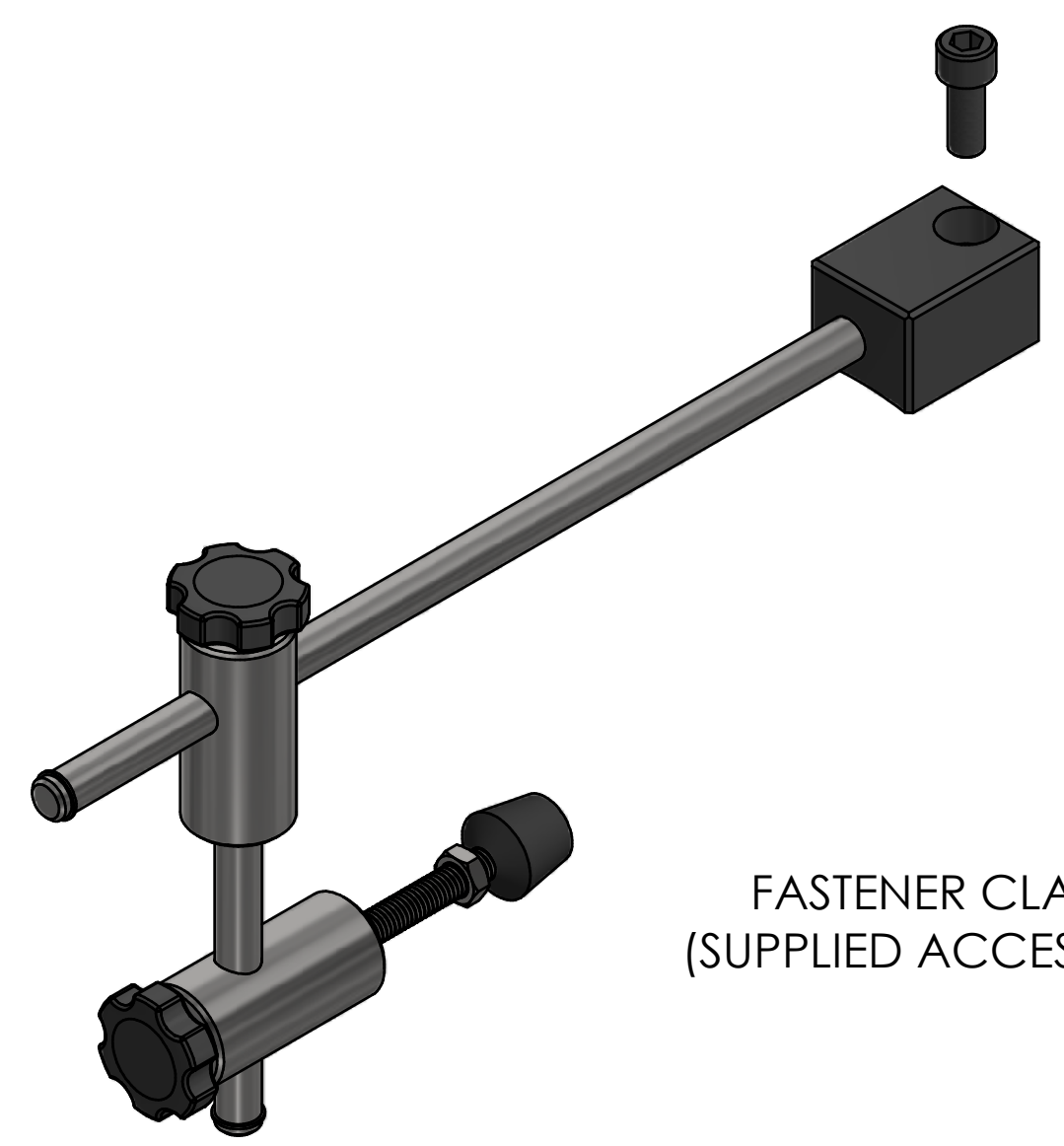
REVISIONS		
REV	DESCRIPTION	ECO
C	UPDATED FASTENER CLAMP VIEW - 05.03.22, PTE	52760



SECTION A-A  
SCALE 3/4



ISO VIEW  
SCALE 1 / 2



FASTENER CLAMP  
(SUPPLIED ACCESSORY)

UNLESS OTHERWISE SPECIFIED TOLERANCES ARE:		DRAWN	CHECKED	ENGINEER	PCB LOAD & TORQUE A PCB GROUP COMPANY
DIMENSIONS IN INCHES	DIMENSIONS IN MILLIMETERS [IN BRACKETS]	PTE	DJM	PTE	
DECIMALS XX ±.01 XXX ±.005	DECIMALS X ±0.3 XX ±0.13	03.10.17	03.10.17	03.10.17	24350 Indoplex Circle, Farmington Hills, MI 48335 (248) 868-8260 E-MAIL: info@pct.com
ANGLES ± 5 DEGREES	ANGLES ± 5 DEGREES	TITLE		DWG. NO.	
FILETS AND RADI Ø15 MAX.	FILETS AND RADI Ø15 MAX.	OUTLINE DRAWING 9810 SERIES 100kN CAP. CLAMP FORCE LOAD CELL		66770	SCALE: 3/4 SHEET 1 OF 1