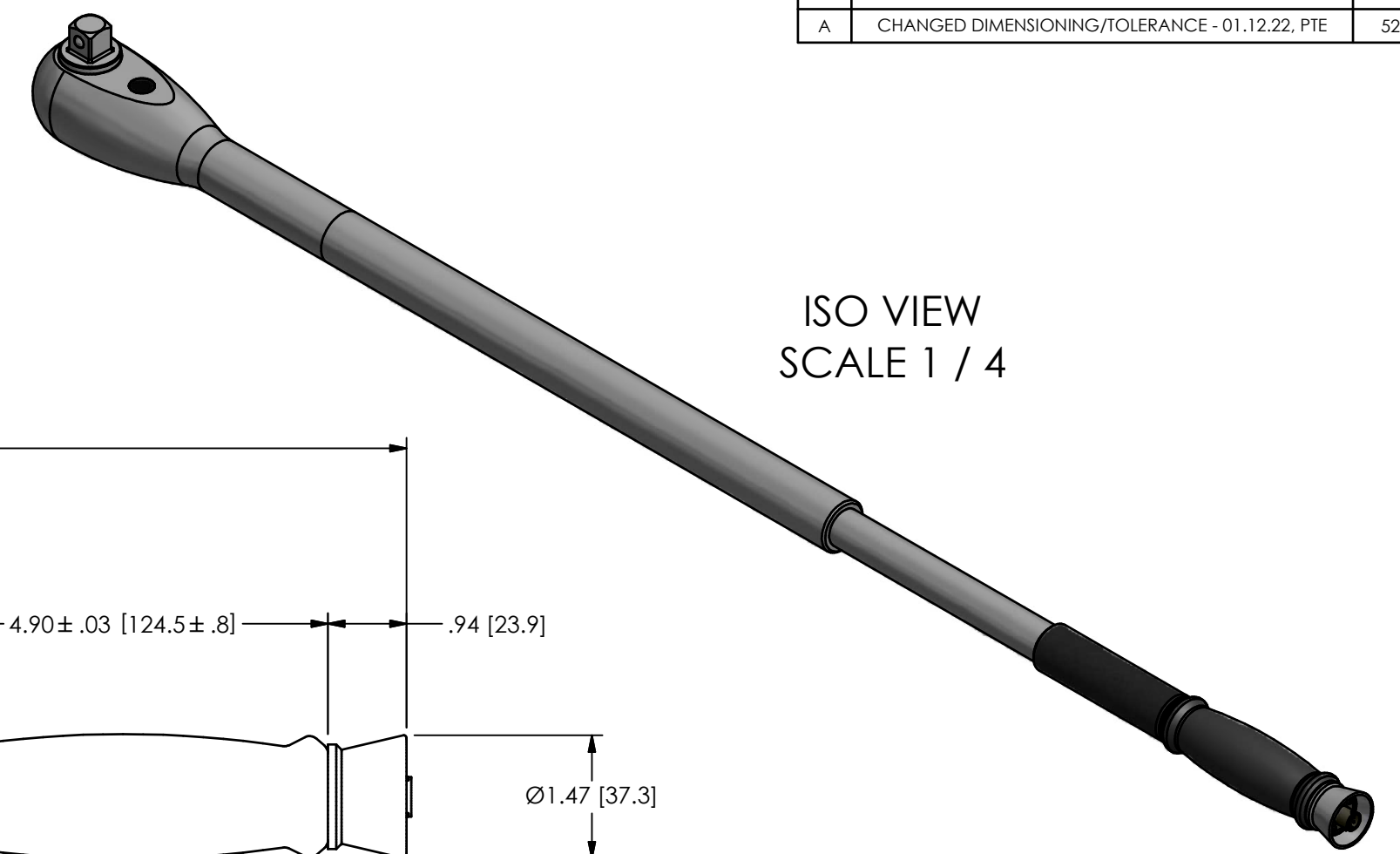


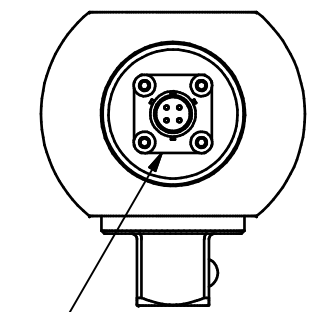
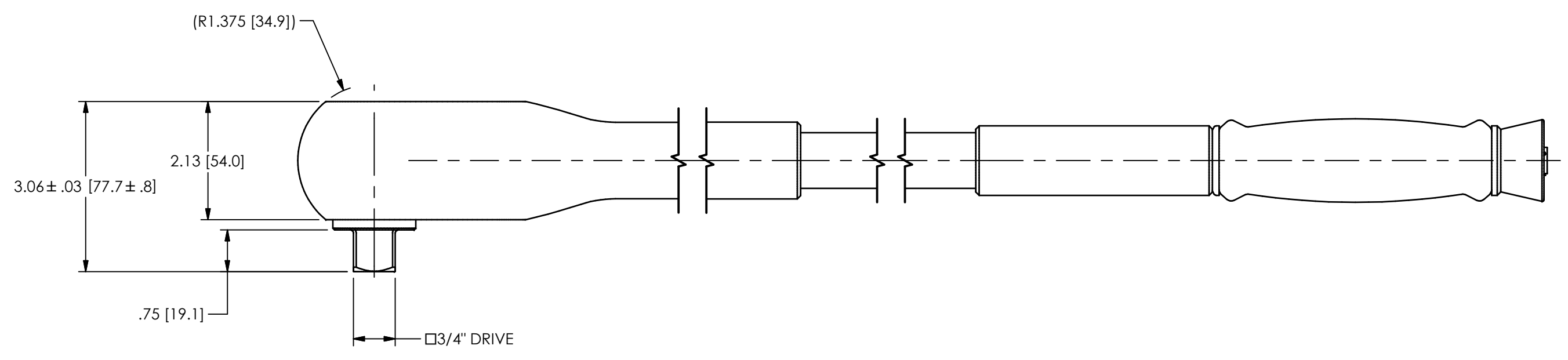
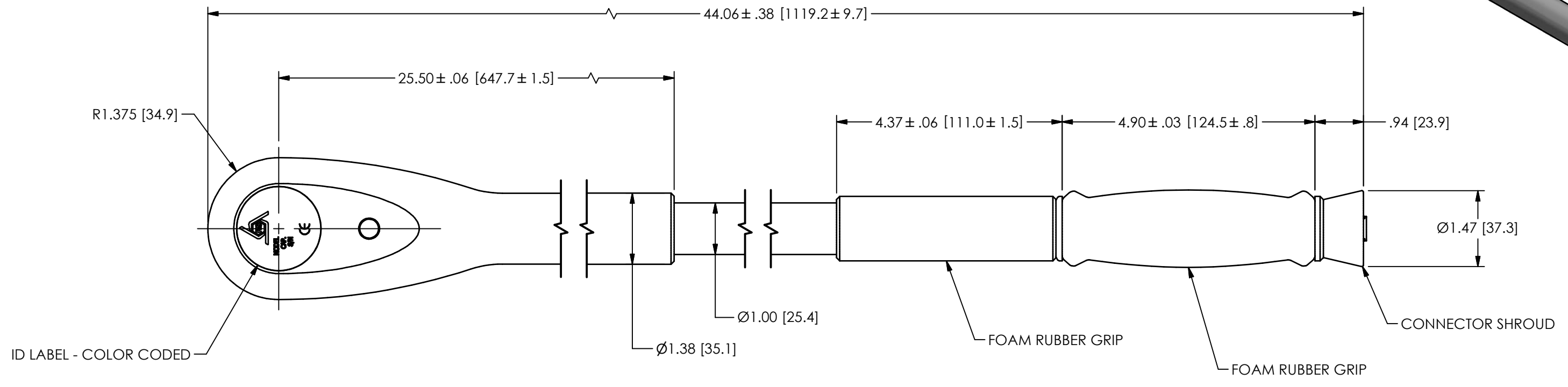
PCB Load & Torque (A Division of PCB Piezotronics, Inc.)  
 claims proprietary rights in the information disclosed herein.  
 Neither it nor any reproduction thereof will be disclosed to  
 others without the written consent of PCB Load and Torque.

REVISIONS		
REV	DESCRIPTION	ECO
A	CHANGED DIMENSIONING/TOLERANCE - 01.12.22, PTE	52470

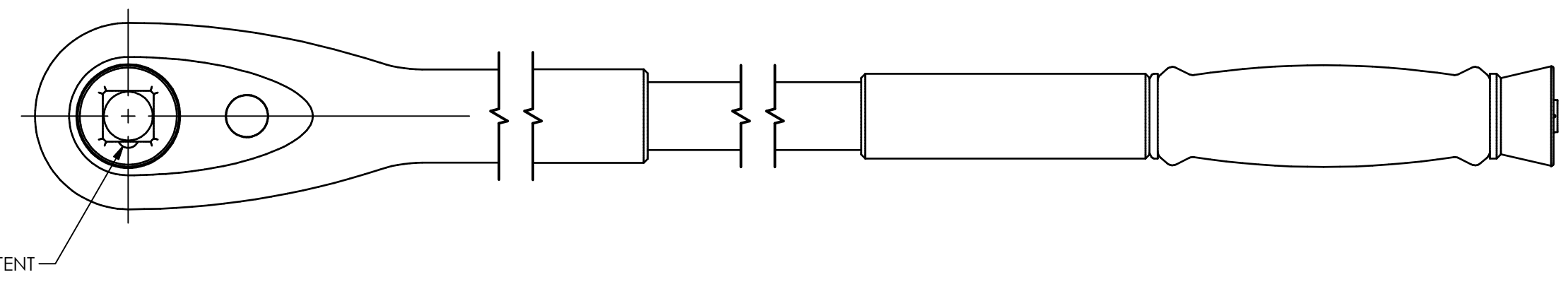
52107



ISO VIEW  
 SCALE 1 / 4



PUSH/TURN RECEPTACLE  
 (PT02A-8-4P OR EQUIV.)  
 WIRING CODE:  
 PIN A +EXC.  
 PIN B -EXC.  
 PIN C +SIG.  
 PIN D -SIG.



UNLESS OTHERWISE SPECIFIED TOLERANCES ARE:		DRAWN	CHECKED	ENGINEER	 24350 Indoplex Circle, Farmington Hills, MI 48335 (248) 888-8260 E-MAIL: ltlmfo@pcb.com DWG. NO.		
DIMENSIONS IN INCHES	DIMENSIONS IN MILLIMETERS [IN BRACKETS]	PTE	10.24.16	JSD		01.23.17	PTE
DECIMALS XX ±.01 XXX ±.005	DECIMALS X ± 0.3 XX ± 0.13	TITLE			OUTLINE DRAWING 3/4" SQ DRIVE (027375-04XXX) HAND TORQUE WRENCH		
ANGLES ± .5 DEGREES	ANGLES ± .5 DEGREES	FILLETS AND RADII			SCALE: 1/2 SHEET 1 OF 1		
FILLETS AND RADII .015 MAX	FILLETS AND RADII 0.38 MAX						