

35959

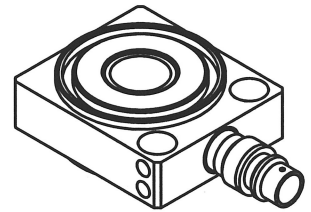
PCB Piezotronics Inc. claims proprietary rights in the information disclosed hereon. Neither it nor any reproduction thereof will be disclosed to others without the written consent of PCB Piezotronics Inc.

APPLICATION

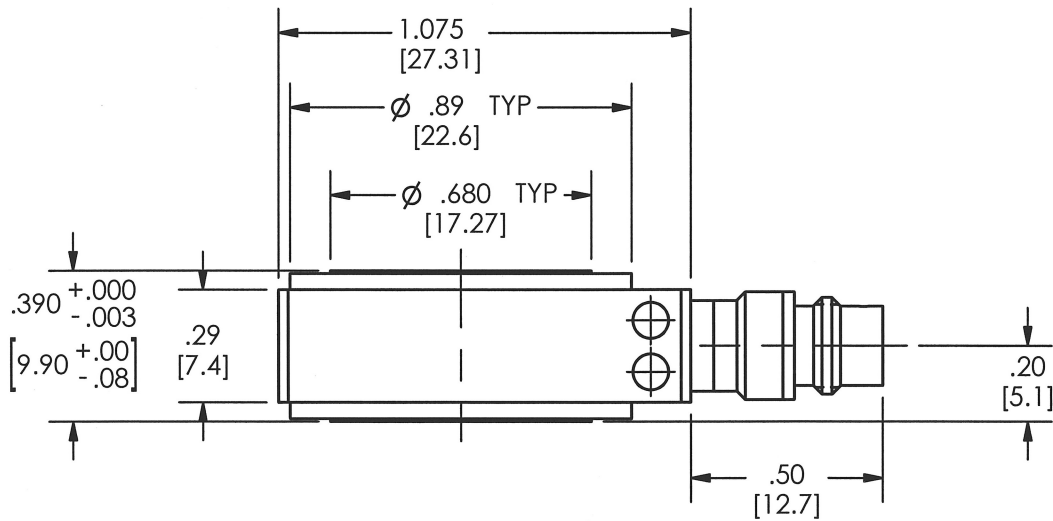
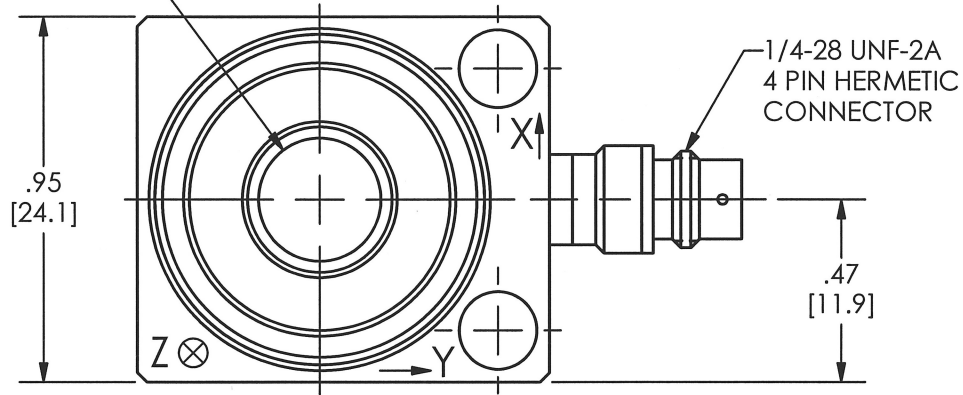
NEXT ASS'Y	USED ON	VAR

REVISIONS

REV	DESCRIPTION	ECN	APP'D
NR	RELEASED TO DRAFTING		ECB 11/16/06



Ø.319 [8.10]  
THRU



1.) SEE SHEETS 2 AND 3 FOR STANDARD AND METRIC MOUNTING INSTRUCTIONS.

UNLESS OTHERWISE SPECIFIED TOLERANCES ARE:

DIMENSIONS IN INCHES	DIMENSIONS IN MILLIMETERS [ IN BRACKETS ]
DECIMALS XX ± .01	DECIMALS X ± 0.3
XXX ± .005	XX ± 0.13
ANGLES ± 2 DEGREES	ANGLES ± 2 DEGREES

FILLETS AND RADII  
.003 - .005

FILLETS AND RADII  
[0.07 - 0.13]

DRAWN	MDF 11/16/06	MFG	RRR 11-16-06
CHK'D	ECB 11/16/06	ENGR	DWB 11/16/06
APP'D	mqc 11/16/06	SALES	MFL 11/20/06

TITLE  
INSTALLATION DRAWING  
MODEL 260M36  
TRIAxIAL FORCE SENSOR

**PCB PIEZOTRONICS**<sup>INC.</sup>

3425 WALDEN AVE. DEPEW, NY 14043  
(716) 684-0001 E-MAIL: sales@pcb.com

CODE IDENT. NO. 52681	DWG. NO. <b>35959</b>
--------------------------	--------------------------

SCALE: 2 X SHEET 1 OF 3

2

1

APPLICATION

REVISIONS

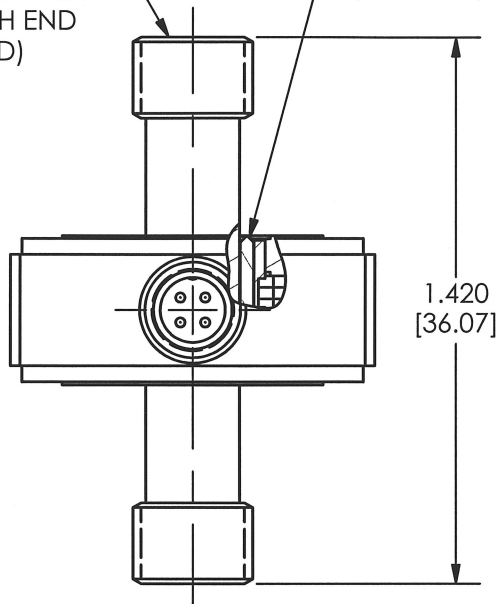
NEXT ASS'Y	USED ON	VAR

REV	DESCRIPTION	ECN	APP'D
	SEE SHEET ONE		

35959

MODEL 081A70  
STUD  
5/16-24 UNF-2A  
TYP EACH END  
(SUPPLIED)

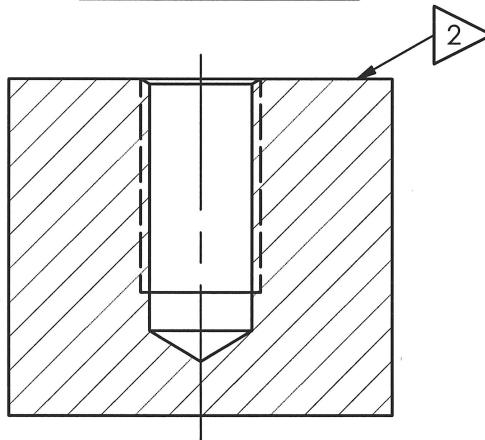
MODEL O83A10  
PILOT BUSHING  
(SUPPLIED)



TYPICAL STUD MOUNTING  
INSTALLATION

MOUNTING HOLE PREPARATION

∅.277 [7.04]  
X .655 [16.64] ∇  
5/16-24 UNF-2B  
X .555 [14.10] ∇  
PERFECT THREAD



4.) SEE MANUAL FOR PRELOAD INSTRUCTIONS.

3 DRILL PERPENDICULAR TO MOUNTING SURFACE TO WITHIN ± 1'.

2 MOUNTING SURFACE UNDER FORCE RING MUST BE FLAT WITHIN .001 [0.03] TIR WITH A 32 [0.08] ✓ FINISH.

UNLESS OTHERWISE SPECIFIED TOLERANCES ARE:

DIMENSIONS IN INCHES	DIMENSIONS IN MILLIMETERS [ IN BRACKETS ]
DECIMALS XX ± .01 XXX ± .005 ANGLES ± 2 DEGREES	DECIMALS X ± 0.3 XX ± 0.13 ANGLES ± 2 DEGREES

FILLETS AND RADII .003 - .005	FILLETS AND RADII [ 0.07 - 0.13 ]
----------------------------------	--------------------------------------

DRAWN	<i>mof</i> 11/15/06	MFG	<i>P. BA</i> 11-16-06
CHK'D	<i>ECB</i> 11/16/06	ENGR	<i>DMB</i> 11/17/06
APP'D	<i>mjk</i> 11/16/06	SALES	<i>MFL</i> 11/20/06

TITLE  
INSTALLATION DRAWING  
MODEL 260M36  
TRIAxIAL FORCE SENSOR

**PCB PIEZOTRONICS** INC.

3425 WALDEN AVE. DEPEW, NY 14043  
(716) 684-0001 E-MAIL: sales@pcb.com

CODE IDENT. NO. 52681	DWG. NO. <b>35959</b>
--------------------------	--------------------------

SCALE: 2 X	SHEET 2 OF 3
------------	--------------

2

1

1

PCB Piezotronics Inc. claims proprietary rights in the information disclosed hereon. Neither it nor any reproduction thereof will be disclosed to others without the written consent of PCB Piezotronics Inc.

2

1

APPLICATION

REVISIONS

NEXT ASS'Y	USED ON	VAR

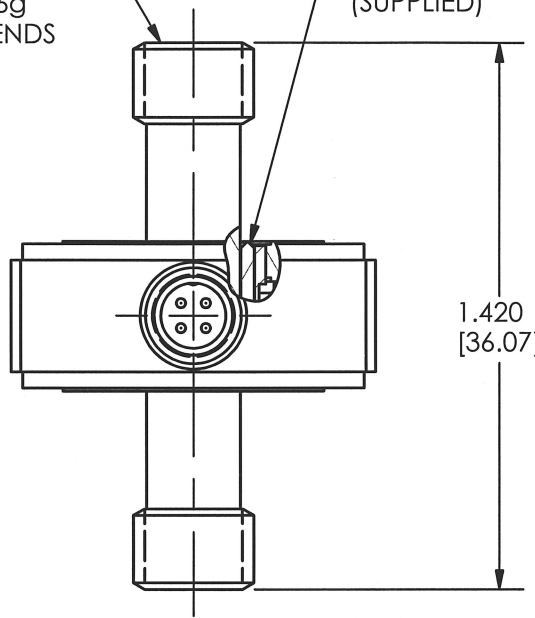
REV	DESCRIPTION	ECN	APP'D
	SEE SHEET ONE		

35959

PCB Piezotronics Inc. claims proprietary rights in the information disclosed hereon. Neither it nor any reproduction thereof will be disclosed to others without the written consent of PCB Piezotronics Inc.

MODEL M081A70  
STUD  
M8 X 1.25-6g  
TYP BOTH ENDS  
(SUPPLIED)

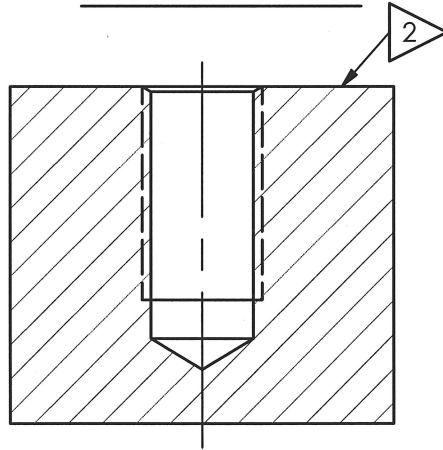
MODEL 083A10  
PILOT BUSHING  
(SUPPLIED)



TYPICAL STUD MOUNTING  
INSTALLATION

MOUNTING HOLE PREPARATION

$\varnothing .272$  [6.91]  
 $X .655$  [16.64]  $\nabla$  3  
 M8 X 1.25-6H  
 $X .555$  [14.10]  $\nabla$   
 PERFECT THREAD



4.) SEE MANUAL FOR PRELOAD INSTRUCTIONS.

3 DRILL PERPENDICULAR TO MOUNTING SURFACE TO WITHIN  $\pm 1^\circ$ .

2 MOUNTING SURFACE UNDER FORCE RING MUST BE FLAT WITHIN  $.001$  [0.03] TIR WITH A  $32$  [0.08]  $\nabla$  FINISH.

UNLESS OTHERWISE SPECIFIED TOLERANCES ARE:

DIMENSIONS IN INCHES	DIMENSIONS IN MILLIMETERS [ IN BRACKETS ]
DECIMALS XX $\pm .01$ XXX $\pm .005$	DECIMALS X $\pm 0.3$ XX $\pm 0.13$
ANGLES $\pm 2$ DEGREES	ANGLES $\pm 2$ DEGREES

FILLETS AND RADII  
.003 - .005

FILLETS AND RADII  
[0.07 - 0.13]

DRAWN	MDP	11/15/06	MFG	RRR	11-16-06
CHK'D	ECB	11/16/06	ENGR	DWB	11/16/06
APP'D	MGL	11/16/06	SALES	MFG	11/20/06

TITLE  
INSTALLATION DRAWING  
MODEL 260M36  
TRIAXIAL FORCE SENSOR

**PCB PIEZOTRONICS**<sup>INC.</sup>

3425 WALDEN AVE. DEPEW, NY 14043  
(716) 684-0001 E-MAIL: sales@pcb.com

CODE  
IDENT. NO.  
52681

DWG. NO.

35959

SCALE: 2 X

SHEET 3 OF 3

2

1

1