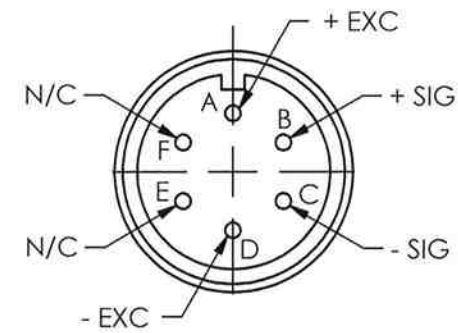


PCB Piezotronics Inc. claims proprietary rights in the information disclosed hereon. Neither it nor any reproduction thereof will be disclosed to others without the written consent of PCB Piezotronics Inc.

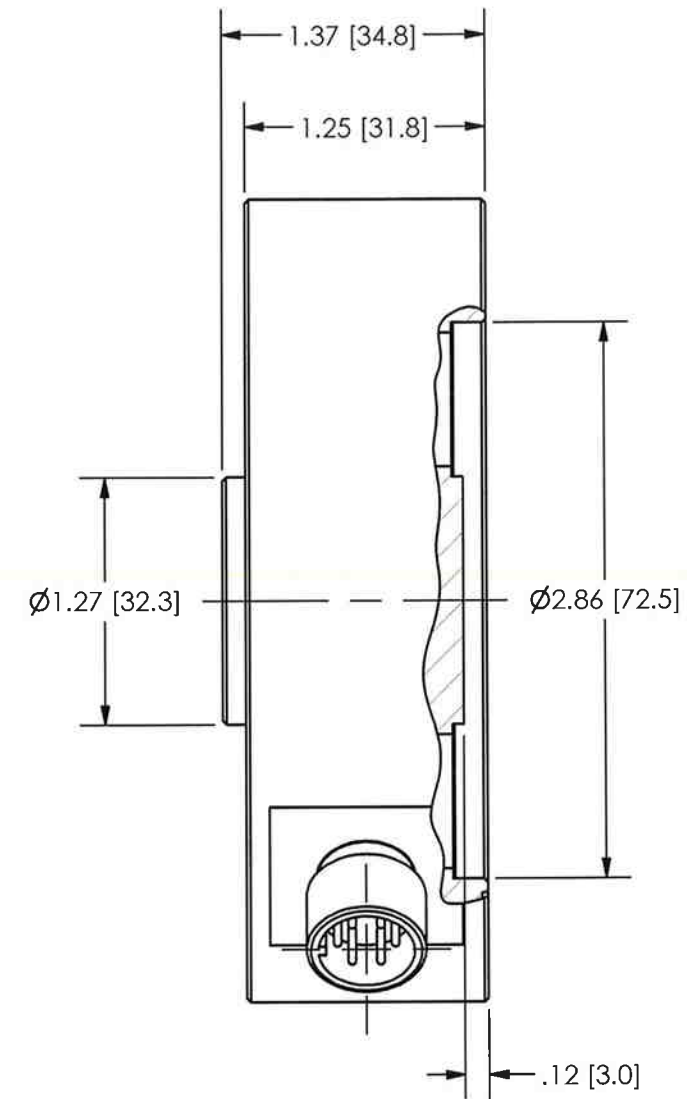
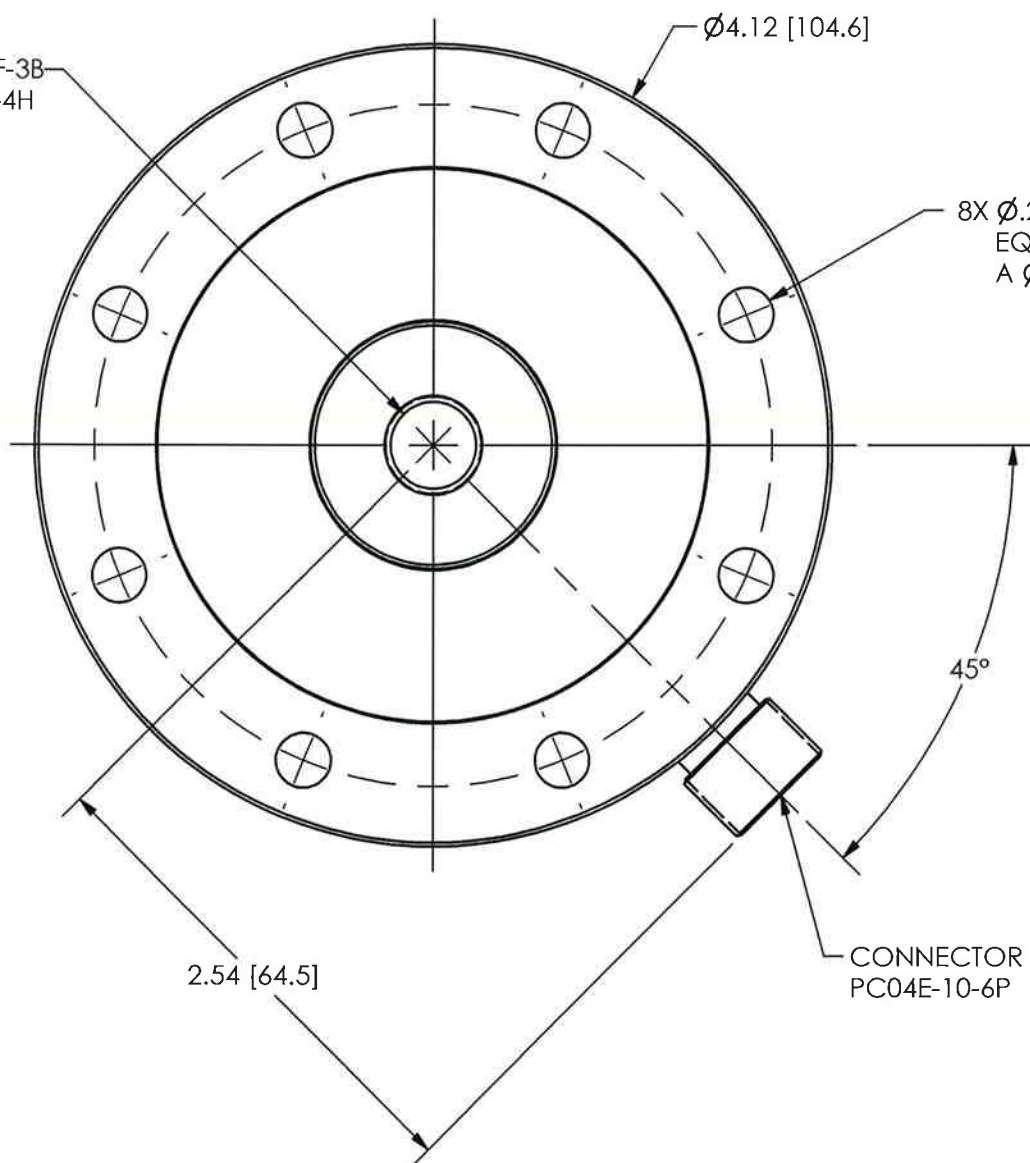
23776

REVISIONS		
REV	DESCRIPTION	ECO
D	CHANGED FORMAT	32751



**PIN OUT**  
SCALE: 2 X

1403-XXB: 5/8-18 UNF-3B  
M1403-XXB: M16 X 2-4H X .88 [21.9] ▽



UNLESS OTHERWISE SPECIFIED TOLERANCES ARE:		DRAWN	CHECKED	ENGINEER
DIMENSIONS IN INCHES	DIMENSIONS IN MILLIMETERS [IN BRACKETS]	<i>[Signature]</i> 7/22/10	ECB 7/22/10	PTE 7/22/10
DECIMALS XX ±.01 XXX ±.005	DECIMALS X ±.03 XX ±.013	TITLE		
ANGLES ± .5 DEGREES	ANGLES ± .5 DEGREES	OUTLINE DRAWING MODEL 1403-01B THRU -05B LOAD CELL		
FILLETS AND RADII .015 MAX	FILLETS AND RADII 0.38 MAX	PCB LOAD & TORQUE A PCB GROUP COMPANY 24350 Indoplex Circle, Farmington Hills, MI 48335 (716) 684-0001 E-MAIL: linfo@pcbloadtorque.com		
		DWG. NO. 23776		SCALE: FULL SHEET 1 OF 1