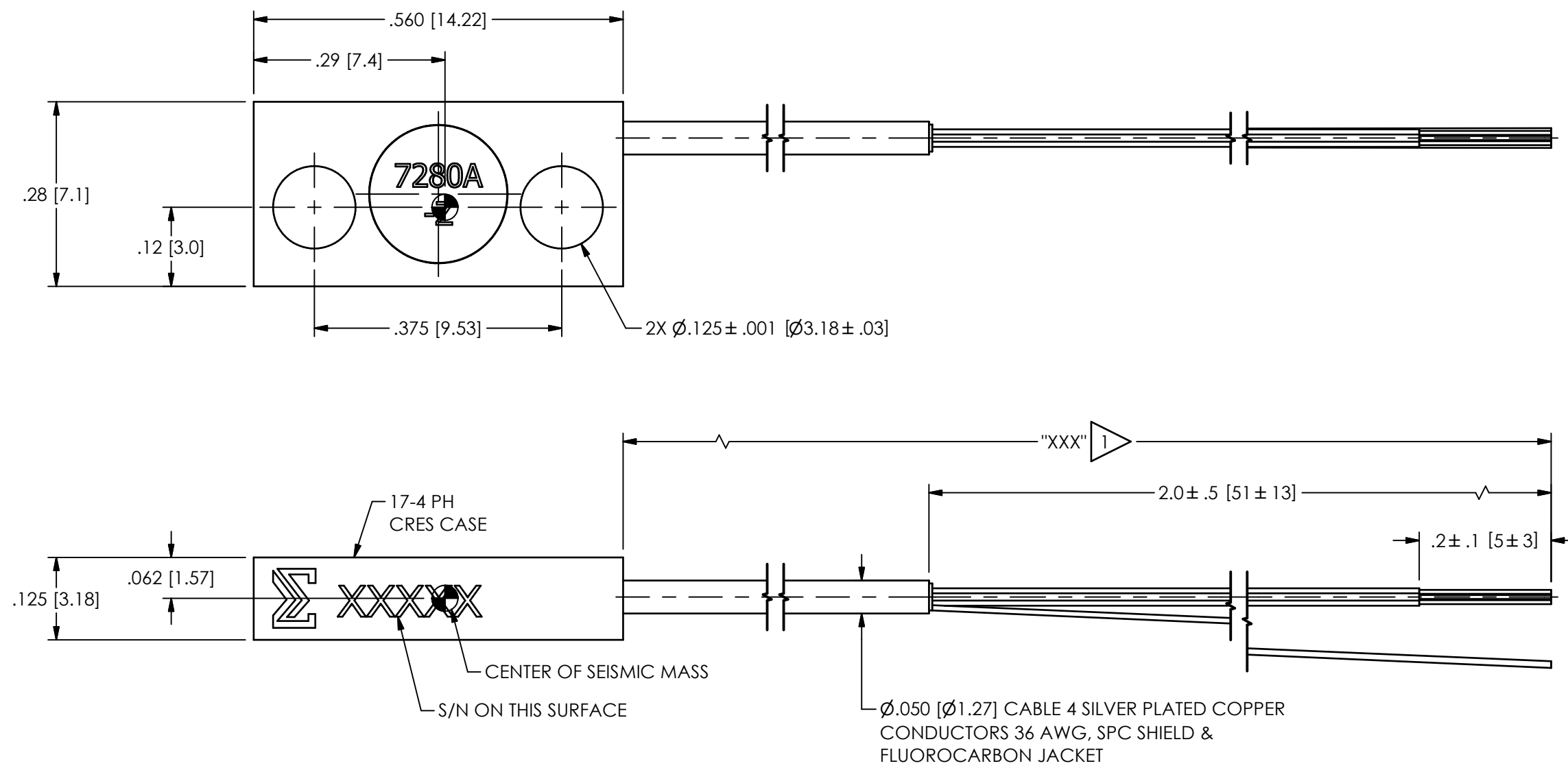


PCB Piezotronics Inc. claims proprietary rights in the information disclosed hereon. Neither it nor any reproduction thereof will be disclosed to others without the written consent of PCB Piezotronics Inc.

REVISIONS		
REV	DESCRIPTION	DIN
A	UPDATED NOTES	53937

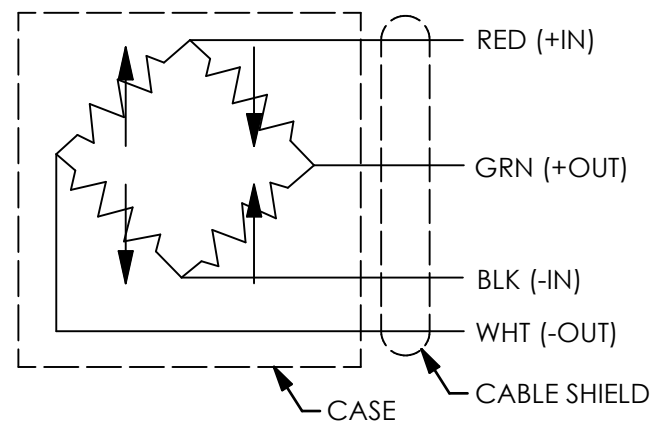


↑ ACCELERATION IN THIS DIRECTION GIVES POSITIVE OUTPUT

1 7280A-Z-XXX

CABLE LENGTH IN INCHES (I.E. 7280A-Z-120 HAS A CABLE LENGTH OF 120 INCHES). FOR LENGTHS ≤ 1ft SPECIFY IN 1ft INCREMENTS (60", 72"....120"). FOR LENGTHS > 10ft SPECIFY IN 5ft INCREMENTS (180", 240"....120").

MODIFIER
BASE MODEL NUMBER



UNLESS OTHERWISE SPECIFIED TOLERANCES ARE:	
DIMENSIONS IN INCHES DECIMALS XX ±.03 XXX ±.010 ANGLES ± 2 DEGREES	DIMENSIONS IN MILLIMETERS [IN BRACKETS] DECIMALS X ± 0.8 XX ± 0.25 ANGLES ± 2 DEGREES
CABLE TOLERANCES IN ENGLISH 1" ≤ LENGTH < 1' = +1"/ - 0 1' ≤ LENGTH < 5' = +2"/ - 0 5' ≤ LENGTH < 100' = +6"/ - 0 100' ≤ LENGTH = +1' / - 0	CABLE TOLERANCES IN METRIC 2.54cm ≤ LENGTH < 30.5cm = +2.54cm / - 0 30.5cm ≤ LENGTH < 1.5m = +5.1cm / - 0 1.5m ≤ LENGTH < 30.5m = +15.2cm / - 0 30.5m ≤ LENGTH = +30.5cm / - 0
FILLETS AND RADII .003 - .005	FILLETS AND RADII 0.07 - 0.13

DRAWN	CHECKED	ENGINEER
NJF 06/15/23	JDM 06/15/23	JKN 06/15/23
TITLE OUTLINE DRAWING MODEL 7280A-Z PIEZORESISTIVE ACCELEROMETER		

PCB PIEZOTRONICS
AN AMPHENOL COMPANY
3425 WALDEN AVE. DEPEW, NY 14043
(716) 684-0001 E-MAIL: sales@pcb.com

CODE IDENT. NO. 52681
DWG. NO. 77770

SCALE: 5X SHEET 1 OF 1