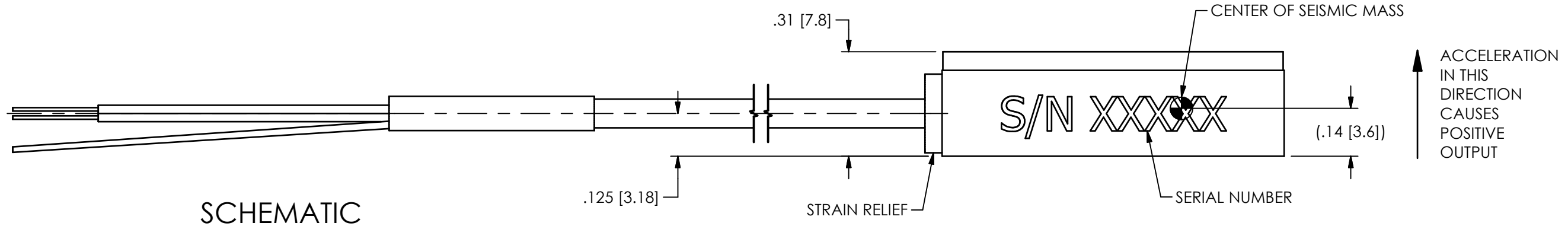
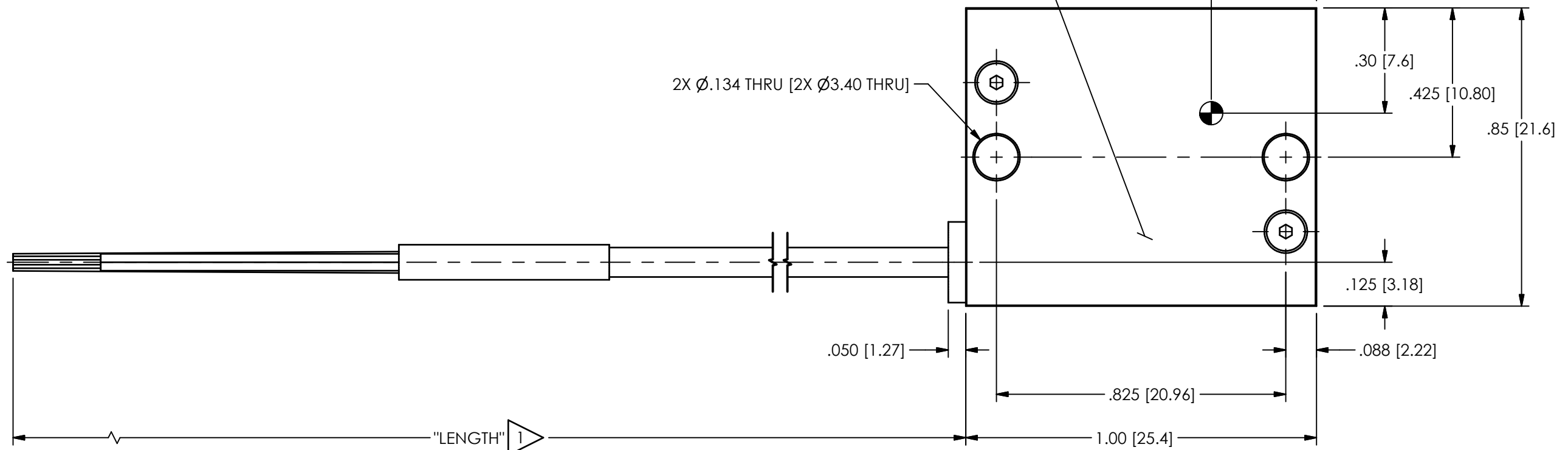


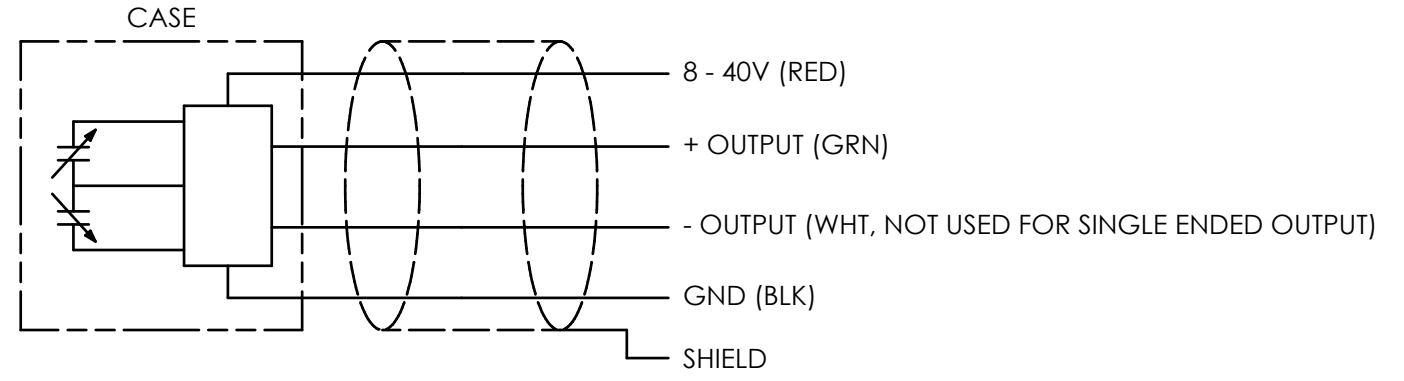
76480

PCB Piezotronics Inc. claims proprietary rights in the information disclosed hereon. Neither it nor any reproduction thereof will be disclosed to others without the written consent of PCB Piezotronics Inc.

REVISIONS		
REV	DESCRIPTION	DIN
NR	RELEASED TO DRAFTING	53861



SCHEMATIC



1 CABLE LENGTH ("LENGTH") IS DETERMINED BY "ZZZ" ON THE MODEL NUMBER 7290G-XXX-Y-ZZZ, I.E. 7290G-XXX-Y-120 HAS A CABLE LENGTH OF 120 INCHES

UNLESS OTHERWISE SPECIFIED TOLERANCES ARE:		DRAWN		CHECKED		ENGINEER	
DIMENSIONS IN INCHES		NJF	06/02/23	JJF	06/02/23	HX	06/02/23
DECIMALS XX ±.03 XXX ±.010 ANGLES ± 2 DEGREES		TITLE		OUTLINE DRAWING		7290G SERIES	
DIMENSIONS IN MILLIMETERS [IN BRACKETS]		CODE IDENT. NO.		DWG. NO.		SCALE: 3X SHEET 1 OF 1	
DECIMALS X ± 0.8 XX ± 0.25 ANGLES ± 2 DEGREES		52681		76480			
CABLE TOLERANCES IN ENGLISH		3425 WALDEN AVE. DEPEW, NY 14043		AN AMPHENOL COMPANY			
1" ≤ LENGTH < 1' = +1" / - 0		(716) 684-0001 E-MAIL: sales@pcb.com					
1' ≤ LENGTH < 5' = +2" / - 0							
5' ≤ LENGTH < 100' = +6" / - 0							
100' ≤ LENGTH = +1' / - 0							
CABLE TOLERANCES IN METRIC							
2.54cm ≤ LENGTH < 30.5cm = +2.54cm / - 0							
30.5cm ≤ LENGTH < 1.5m = +5.1cm / - 0							
1.5m ≤ LENGTH < 30.5m = +15.2cm / - 0							
30.5m ≤ LENGTH = +30.5cm / - 0							
FILLETS AND RADII .003 - .005							
FILLETS AND RADII 0.07 - 0.13							