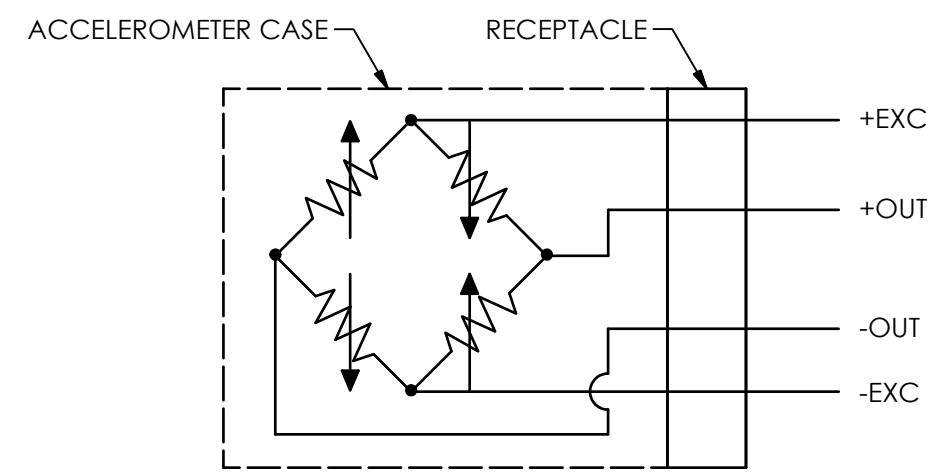


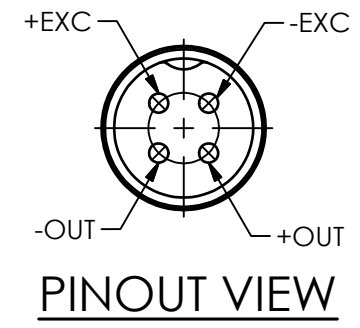
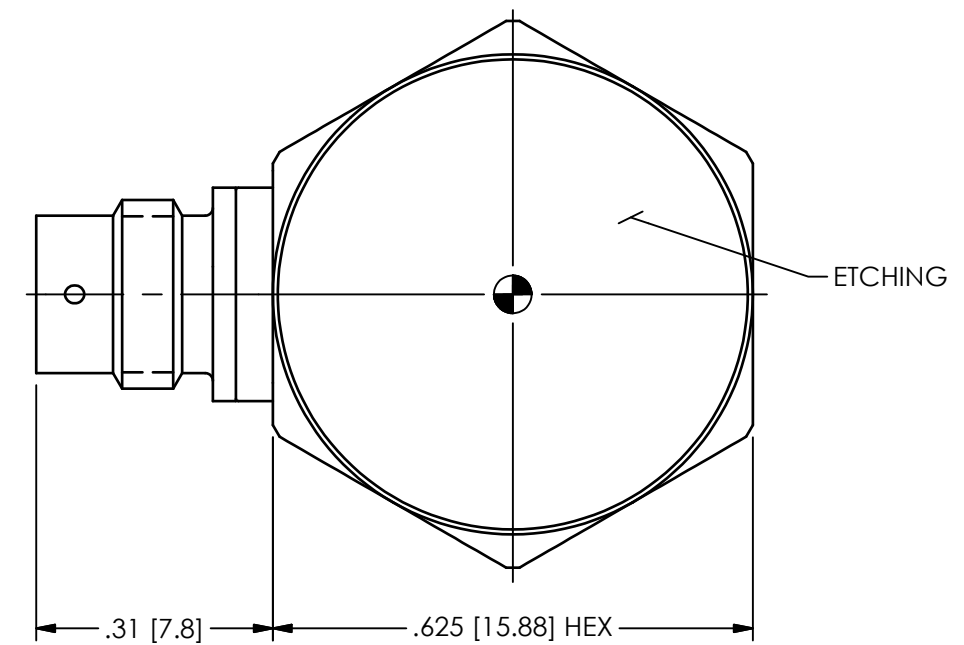
PCB Piezotronics of NC, Inc. (DBA Endevco) claims proprietary rights in the information disclosed hereon. Neither it nor any reproduction thereof will be disclosed to others without the written consent of PCB Piezotronics of NC, Inc. (DBA Endevco)

74795

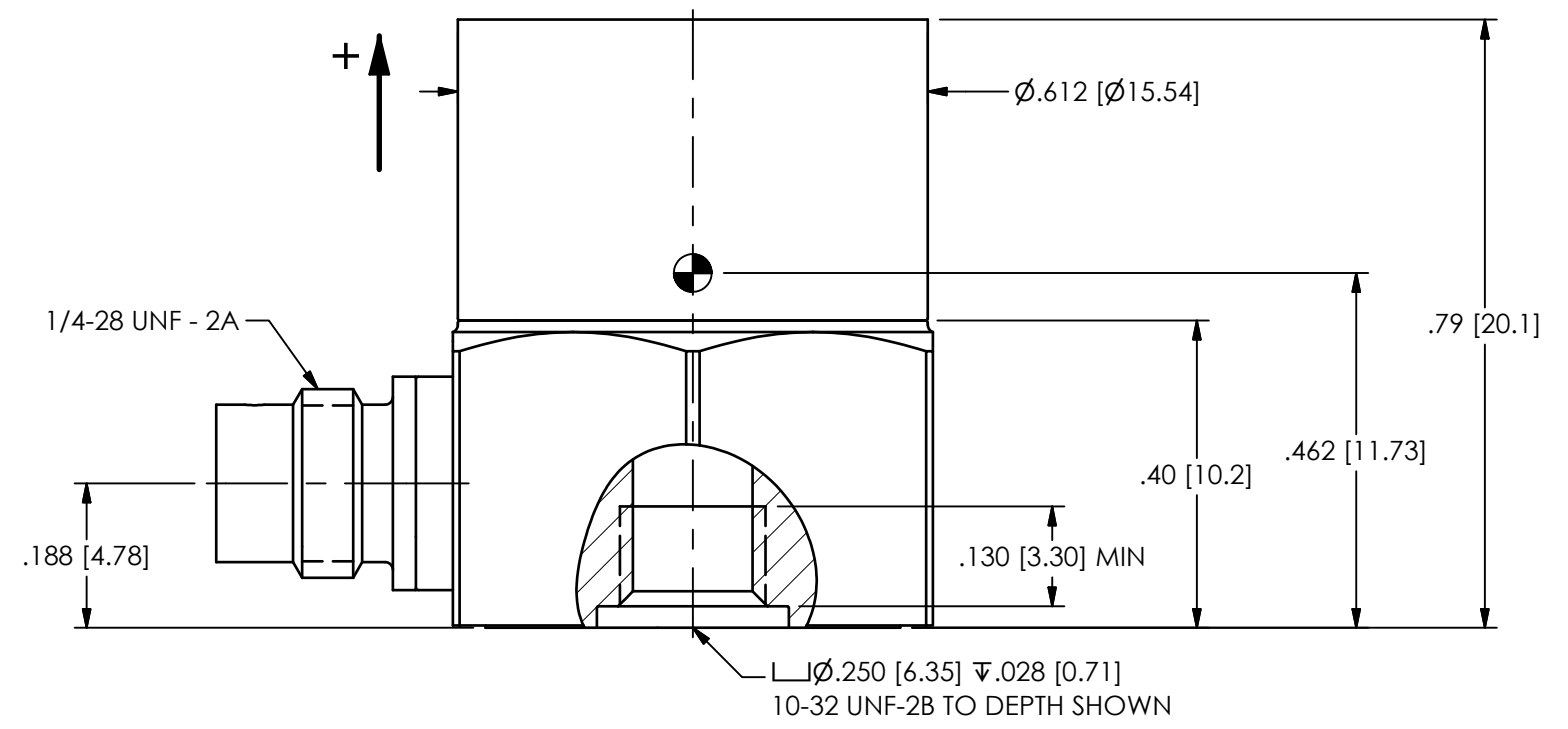
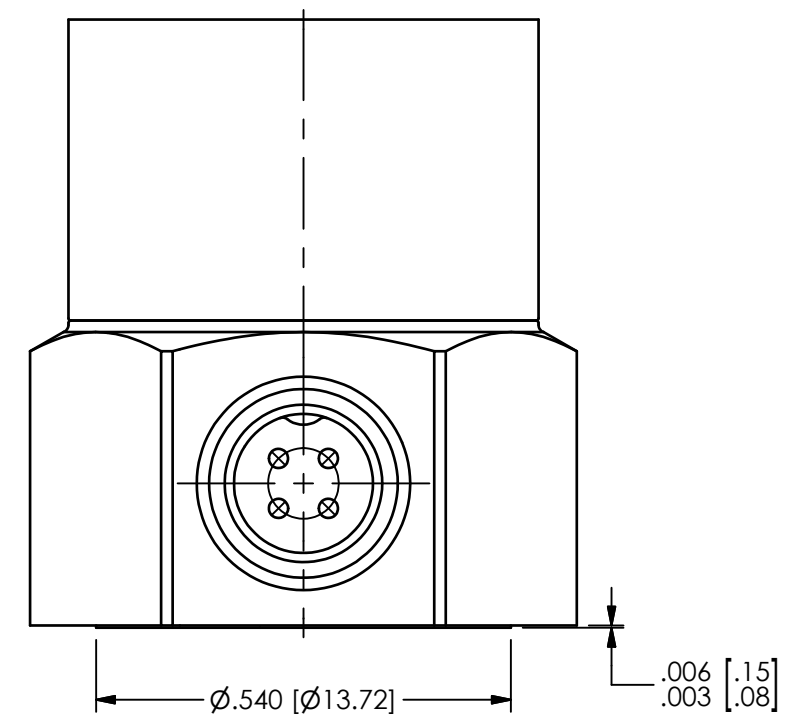
REVISIONS		
REV	DESCRIPTION	DIN
NR	RELEASED TO DRAFTING	51902




WIRING DIAGRAM



PINOUT VIEW



UNLESS OTHERWISE SPECIFIED TOLERANCES ARE:		DRAWN		CHECKED		ENGINEER		 PCB PIEZOTRONICS OF NC, INC (DBA ENDEVCO) 10869 NC HIGHWAY 903, HALIFAX, NC 27839
DIMENSIONS IN INCHES	DIMENSIONS IN MILLIMETERS [IN BRACKETS]	JJF	7/13/21	JJF	7/13/21	JKN	7/13/21	
DECIMALS XX ±.03 XXX ±.010	DECIMALS X ±0.8 XX ±0.25	TITLE OUTLINE DRAWING 2262B SERIES ACCELEROMETER						CODE IDENT. NO. BDN13
ANGLES ± 2 DEGREES	ANGLES ± 2 DEGREES							DWG. NO. 74795
FILLETS AND RADII .003 - .005	FILLETS AND RADII 0.07 - 0.13	SCALE: 4X		SHEET 1 OF 1				