



MODELS 356A01, 356A03
HTJ356B01 & J356A03

MINIATURE TRIAxIAL ICP® ACCELEROMETER

Small 0.25 (6.4 mm) adhesive mount cube

Ground isolated models available

High overload limit of 5000 g or 10000 g

5 ft (1.5 m) mating cable assembly with
triaxial BNC plug termination included
(except /NC models)

TYPICAL APPLICATIONS

Small component qualification

Structural vibration

Environmental Stress Screening

Noise Vibration & Harshness

Vibration measurements with
space restrictions

CE



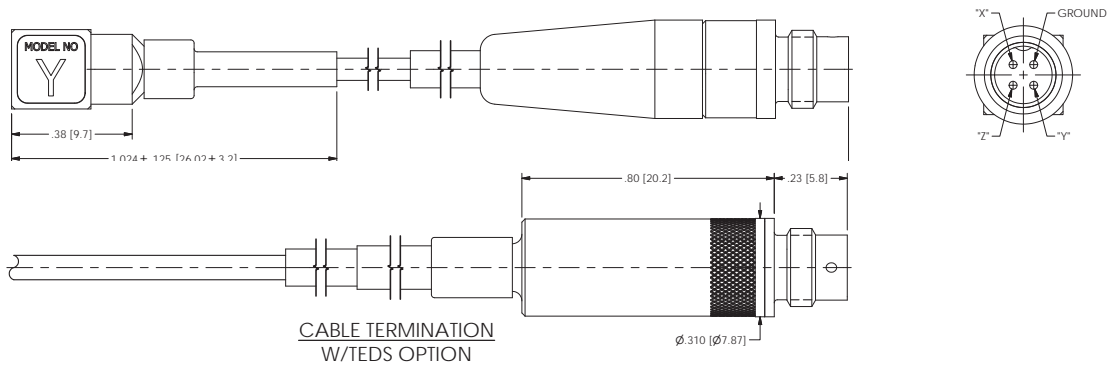
FOR WHEN MINIMAL MASS LOADING AND SIZE MATTERS

Models 356A01 and 356A03 provide 5 mV/g and 10 mV/g with 1000 g and 500 g full scale range respectively for general testing. They include a lower noise floor and higher shock limit than competitive offerings with hermetic sealed titanium housings. Their integral cable includes a rugged strain relief in addition to a robust crimp tube that provides excellent shear resistance and high tensile strength.

When applications have potential for ground loop noise, models HTJ356B01 and J356A03 are available with integral ground isolation. Isolation is accomplished with the addition of an external titanium shell adhered to the three mounting surfaces via high temperature, electrically non-conductive epoxy. HTJ356B01 is also suitable for higher temperature applications up to 356 °F (180 °C). All of these models are compatible with any ICP® signal conditioner or readout device that includes ICP® power but note of current limitations at elevated temperatures. This product is CE marked for sale globally.

SPECIFICATIONS

Model Number	356A01 & 356A01/NC		HTJ356B01/NC		356A03 & 356A03/NC		J356A03/NC	
	English	SI	English	SI	English	SI	English	SI
Performance								
Sensitivity (±20%)	5 mV/g	0.51 mV/(m/s ²)	5 mV/g	0.51 mV/(m/s ²)	10 mV/g	1.02 mV/(m/s ²)	10 mV/g	1.02 mV/(m/s ²)
Measurement Range	±1000 g pk	±9810 m/s ² pk	±1000 g pk	±9810 m/s ² pk	±500 g pk	±4905 m/s ² pk	± 500 g pk	± 4905 m/s ² pk
Frequency Range (±5 %)	2 to 8000 Hz (y or z axis) 2 to 5000 Hz (x axis)							
Frequency Range (+1 dB)(x axis)	≥ 8 kHz							
Resonant Frequency	≥ 50 kHz							
Broadband Resolution (1 to 10000 Hz)	0.003 g rms (0.03 m/s ² rms)							
Non-Linearity	≤ 1 %							
Transverse Sensitivity	≤ 5 %							
Environmental								
Overload Limit (Shock)	±10000 g pk	±98100 m/s ² pk	±10000 g pk	±98100 m/s ² pk	±5000 g pk	±49050 m/s ² pk	±5000 g pk	±49050 m/s ² pk
Temperature Range (Operating)	-65 to +250 °F	-54 to +121 °C	-65 to +356 °F	-54 to +180 °C	-65 to +250 °F	-54 to +121 °C	-65 to +250 °F	-54 to +121 °C
Electrical								
Excitation Voltage	18 to 30 VDC				22 to 30 VDC			
Constant Current Excitation	2 to 20 mA		2 to 20 mA ≤ +250 °F (+121 °C) ≤ 2 to 4 mA		2 to 20 mA			
Output Impedance	≤ 200 ohm							
Output Bias Voltage	7 to 12 VDC				9 to 16 VDC			
Discharge Time Constant	0.24 to 1.0 sec							
Settling Time (within 10% of bias)	<3 sec							
Spectral Noise (1 Hz)	1200 µg/√Hz (11772 (µm/sec ²)/√Hz)							
Spectral Noise (10 Hz)	300 µg/√Hz (2943 (µm/sec ²)/√Hz)							
Spectral Noise (100 Hz)	100 µg/√Hz (981 (µm/sec ²)/√Hz)							
Spectral Noise (1 kHz)	30 µg/√Hz (294 (µm/sec ²)/√Hz)							
Electrical Isolation	None		Ground Isolated >100000000 ohm		None		Ground Isolated >100000000 ohm	
Physical								
Element / Housing Materials	Shear Ceramic / Hermetic Titanium							
Size (Height x Length x Width)	0.25 x 0.25 x 0.25 in	6.35 x 6.35 x 6.35 mm	0.28 x 0.28 x 0.28 in	7.10 x 7.10 x 7.10 mm	0.25 x 0.25 x 0.25 in	6.35 x 6.35 x 6.35 mm	0.28 x 0.28 x 0.28 in	7.10 x 7.10 x 7.10 mm
Weight (without cable)	0.04 oz	1.0 gm	0.04 oz	1.2 gm	0.04 oz	1.0 gm	0.04 oz	1.2 gm
Electrical Connector	Integral 034 4-Conductor Shielded Cable, Side Exit							
Cable Termination	1/4-28 4-Pin Jack							
Cable Length	5 ft (1.5 m)							
Mounting	Adhesive							
TEDS Model Available	TLD356A01		N/A		TLD356A03		N/A	
Accessories								
Model 080A109 Petro Wax Model 080A90 Quick Bonding Gel Calibration per ACS-1T, NIST traceable triaxial amplitude response, 10 Hz to upper 5% frequency Model 034G05 4-cond. Shielded cable, 5 ft (1.5M), 4-pin plug to (3) BNC plugs Not included with /NC models								



3425 Walden Avenue, Depew, NY 14043 USA
pcb.com | info@pcb.com | 800 828 8840 | +1 716 684 0001

© 2023 PCB Piezotronics - all rights reserved. PCB Piezotronics is a wholly-owned subsidiary of Amphenol Corporation. Endevco is an assumed name of PCB Piezotronics of North Carolina, Inc., which is a wholly-owned subsidiary of PCB Piezotronics, Inc. Accumetrics, Inc. and The Modal Shop, Inc. are wholly-owned subsidiaries of PCB Piezotronics, Inc. IMI Sensors and Larson Davis are Divisions of PCB Piezotronics, Inc. Except for any third party marks for which attribution is provided herein, the company names and product names used in this document may be the registered trademarks or unregistered trademarks of PCB Piezotronics, Inc., PCB Piezotronics of North Carolina, Inc. (d/b/a Endevco), The Modal Shop, Inc. or Accumetrics, Inc. Detailed trademark ownership information is available at www.pcb.com/trademarkownership.