



LOW COST ICP[®] ACCELEROMETERS

LOW COST ICP® ACCELEROMETERS

IMI Sensors offers a wide range of ICP® accelerometers with an AC voltage output. These accelerometers are ideal for route-based and permanently-mounted predictive maintenance applications. The AC voltage output can interface with third-party data collectors or other online monitoring systems for analysis.

ICP® accelerometers operate on a simple, two-wire system consists of an 18-30 VDC power source, current-regulating diode, voltmeter and decoupling capacitor.

- **18-30 VDC Power Source:** Supply voltage can be provided by line or battery power. Most line-powered signal conditioners supply 24 VDC power as they are connected to an external 24VDC power source. The power provided by a battery-powered signal conditioner can vary depending on the number and voltage of the batteries.
- **Current-Regulating Diode:** ICP® accelerometers require a fixed constant current between 2 and 20 mA so the power must pass through a current-regulating diode. There is an approximate 1V drop across the diode.
- **Voltmeter:** The power is transmitted to the ICP® accelerometer via two-conductor cable with one conductor acting as the ground and the other conductor transmitting both the power to the sensor and the output signal from the sensor. The portion of the voltage used to power the accelerometer’s amplifier is called the bias voltage and is usually in the range of 8-12 VDC. The voltmeter monitors this bias voltage and is useful for checking sensor operation. The output signal is an AC dynamic signal that rides on top of the bias voltage.
- **Decoupling Capacitor:** When the output signal is received at the signal conditioner, the DC bias voltage must be decoupled from the AC signal voltage in order to record accurate data. The 10-30 µF capacitor shifts the signal level to essentially eliminate the sensor bias voltage, providing a drift-free AC mode operation.

LOW-COST VS. PRECISION

IMI Sensors’ ICP® accelerometer product offering can be divided into two categories- low cost and precision. The table below highlights the difference between the two product categories.

Characteristics	Low Cost	Precision
Construction	Embeddable pellet	Shear-mode element
Calibration	Single point	Frequency sweep
Sensitivity Tolerance	Less tight	Tighter
Price	Lower	Higher



OPTIONAL SENSITIVITIES AND FEATURES

Most models listed in this brochure are available with alternate sensitivities and optional features. Alternate sensitivities are 10 mV/g, 50 mV/g and 500 mV/g. Optional features are indicated by a prefixed model number; to select any of the below-listed features, add the appropriate prefix to the core model number. All prefixes can be combined except EXHT and HTTO. When selecting a prefixed model, refer to model-specific outline drawings as some prefixed models' dimensions differ slightly from their unprefix model equivalents.

Optional Feature	Prefix	Description
Hazardous Area Approval	EX	Accelerometer is certified for use in potentially explosive environments via ATEX, CSA and IECEx. Available on 602, 603, 606, 607 and 608 Series.
High Temperature Range	HT	Accelerometer's operating temperature range is increased from +250 °F (+121°C) to +325 °F (+163 °C). Available on 602 Series.
Metric Mount	M	Accelerometer includes an M6x1 mounting stud or bolt instead of a ¼-28 mounting stud or bolt. Available on all series.
Temperature Output	TO	Accelerometer includes a built-in temperature sensor and provides a DC voltage temperature output in addition to the AC voltage vibration output. To transmit the second signal, accelerometer has one additional pin (connector version) or one/two cable conductors (integral cable version). Available on all series.

LOW NOISE ICP[®] ACCELEROMETER

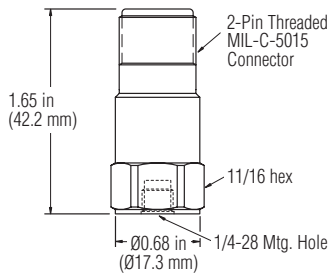
601 Series



ACCELEROMETER WITH MIL CONNECTOR

MODEL 601A01

- Excellent signal-to-noise ratio
- Low noise floor



SPECIFICATIONS	
Performance	
Sensitivity	100 mV/g 10.2 mV/(m/s ²)
Measurement Range	±50 g ±490 m/s ²
Frequency Range (±3 dB)	0.27 to 10000 Hz
Resonant Frequency	16 kHz
Broadband Resolution (1 to 10000 Hz)	50 µg 491 µm/s ²
Non-Linearity	±1 %
Transverse Sensitivity	≤7 %
Environmental	
Overload Limit (Shock)	5000 g pk 49050 m/s ² pk
Temperature Range	-65 to +250 °F -54 to +121 °C
Enclosure Rating	IP68
Electrical	
Settling Time (within 1% of bias)	≤4.0 sec
Discharge Time Constant	≥0.6 sec
Excitation Voltage	18 to 28 VDC
Constant Current Excitation	2 to 20 mA
Output Impedance	<150 Ohm
Output Bias Voltage	8 to 12 VDC
Spectral Noise (10 Hz)	3.2 µg/√Hz
Spectral Noise (100 Hz)	1.0 µg/√Hz
Spectral Noise (1 kHz)	0.7 µg/√Hz
Electrical Isolation (Case)	>10 ⁸ Ohm
Physical	
Sensing Element	Ceramic
Sensing Geometry	Shear
Housing Material	Stainless Steel
Sealing	Welded Hermetic
Mounting Thread	1/4-28 Female
Mounting Torque	2 to 5 ft-lb 2.7 to 6.8 Nm
Electrical Connector	2-Pin MIL-C-5015
Electrical Connection Position	Top
Weight	2.8 oz 80 gm
Accessories	
Model 081A40: Mounting stud, 1/4-28 x 0.438"	

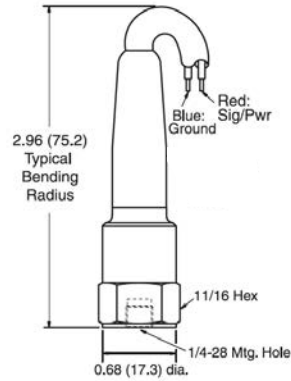
ADDITIONAL BASE MODEL CONFIGURATIONS



ACCELEROMETER WITH INTEGRAL POLYURETHANE CABLE

MODEL 601A11

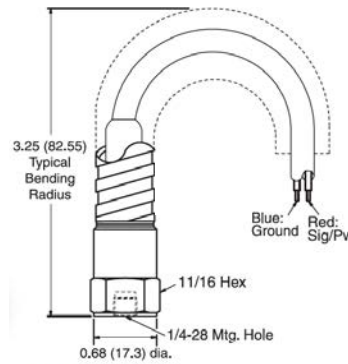
- Configurable cable length and terminating connector



ACCELEROMETER WITH INTEGRAL ARMORED POLYURETHANE CABLE

MODEL 601A61

- Configurable cable length, armor length and terminating connector



SIDE EXIT ICP[®] ACCELEROMETER

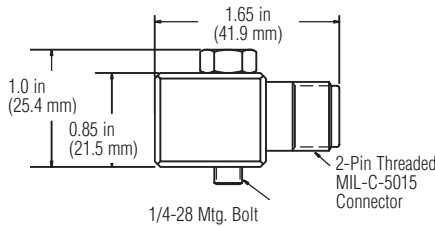
602 Series



ACCELEROMETER WITH MIL CONNECTOR

MODEL 602D01

- Low profile housing
- Side exit, through-bolt design



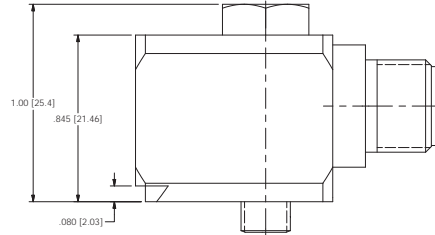
SPECIFICATIONS	
Performance	
Sensitivity ($\pm 10\%$)	100 mV/g 10.2 mV/(m/s ²)
Measurement Range	± 50 g ± 490 m/s ²
Frequency Range (± 3 dB)	0.5 to 8000 Hz
Resonant Frequency	25 kHz
Broadband Resolution (1 to 10000 Hz)	350 μ g 3434 μ m/s ²
Non-Linearity	± 1 %
Transverse Sensitivity	≤ 7 %
Environmental	
Overload Limit (Shock)	5000 g pk 49050 m/s ² pk
Temperature Range	-65 to +250 °F -54 to +121 °C
Enclosure Rating	IP68
Electrical	
Settling Time (within 1% of bias)	≤ 2.0 sec
Discharge Time Constant	≥ 0.3 sec
Excitation Voltage	18 to 28 VDC
Constant Current Excitation	2 to 20 mA
Output Impedance	< 150 Ohm
Output Bias Voltage	8 to 12 VDC
Spectral Noise (10 Hz)	8 μ g/√Hz
Spectral Noise (100 Hz)	5 μ g/√Hz
Spectral Noise (1 kHz)	4 μ g/√Hz
Electrical Isolation (Case)	$> 10^8$ Ohm
Physical	
Sensing Element	Ceramic
Sensing Geometry	Shear
Housing Material	Stainless Steel
Sealing	Welded Hermetic
Mounting Thread	1/4-28 Male
Mounting Torque	2 to 5 ft-lb 2.7 to 6.8 Nm
Electrical Connector	2-Pin MIL-C-5015
Electrical Connection Position	Side
Weight	2.61 oz 74.0 g
Accessories	
Model 081B97: Mounting bolt, 1/4-28 x 1.0"	

ADDITIONAL BASE MODEL CONFIGURATIONS



ACCELEROMETER WITH M12 CONNECTOR

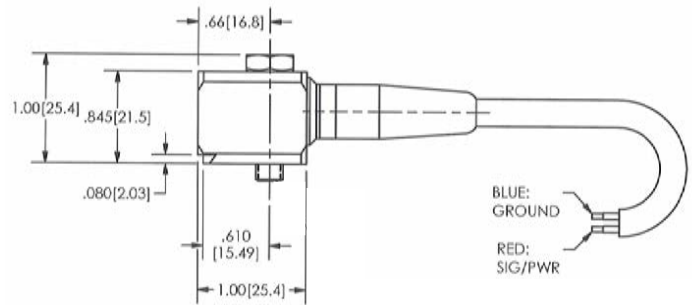
MODEL 602D91



ACCELEROMETER WITH INTEGRAL POLYURETHANE CABLE

MODEL 602D11

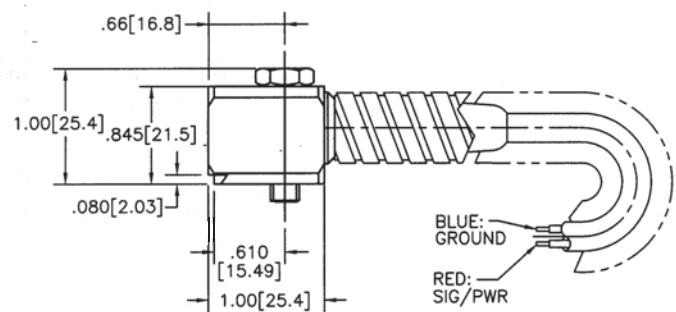
- Configurable cable length and terminating connector



ACCELEROMETER WITH INTEGRAL ARMORED POLYURETHANE CABLE

MODEL 602D61

- Configurable cable length, armor length and terminating connector



TOP EXIT ICP[®] ACCELEROMETER

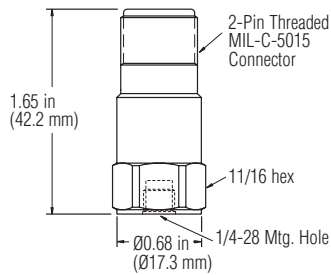
603 Series



ACCELEROMETER WITH MIL CONNECTOR

MODEL 603C01

- Small size, top exit connector
- IMI's most popular accelerometer



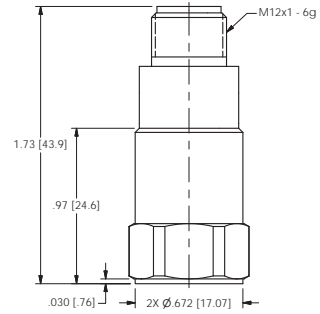
SPECIFICATIONS	
Performance	
Sensitivity ($\pm 10\%$)	100 mV/g 10.2 mV/(m/s ²)
Measurement Range	± 50 g ± 490 m/s ²
Frequency Range (± 3 dB)	0.5 to 10000 Hz
Resonant Frequency	25 kHz
Broadband Resolution (1 to 10000 Hz)	350 μ g 3434 μ m/s ²
Non-Linearity	± 1 %
Transverse Sensitivity	≤ 7 %
Environmental	
Overload Limit (Shock)	5000 g pk 49050 m/s ² pk
Temperature Range	-65 to +250 °F -54 to +121 °C
Enclosure Rating	IP68
Electrical	
Settling Time (within 1% of bias)	≤ 2.0 sec
Discharge Time Constant	≥ 0.3 sec
Excitation Voltage	18 to 28 VDC
Constant Current Excitation	2 to 20 mA
Output Impedance	< 150 Ohm
Output Bias Voltage	8 to 12 VDC
Spectral Noise (10 Hz)	8 μ g/ $\sqrt{\text{Hz}}$
Spectral Noise (100 Hz)	5 μ g/ $\sqrt{\text{Hz}}$
Spectral Noise (1 kHz)	4 μ g/ $\sqrt{\text{Hz}}$
Electrical Isolation (Case)	$> 10^8$ Ohm
Physical	
Sensing Element	Ceramic
Sensing Geometry	Shear
Housing Material	Stainless Steel
Sealing	Welded Hermetic
Mounting Thread	1/4-28 Male
Mounting Torque	2 to 5 ft-lb 2.7 to 6.8 Nm
Electrical Connector	2-Pin MIL-C-5015
Electrical Connection Position	Top
Weight	1.8 oz 51 g
Accessories	
Model 081A40: Mounting stud, 1/4-28 x 0.438"	

ADDITIONAL BASE MODEL CONFIGURATIONS



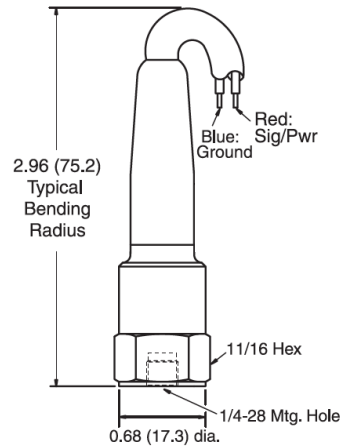
ACCELEROMETER WITH M12 CONNECTOR

MODEL 603C91



ACCELEROMETER WITH INTEGRAL POLYURETHANE CABLE

MODEL 603C11

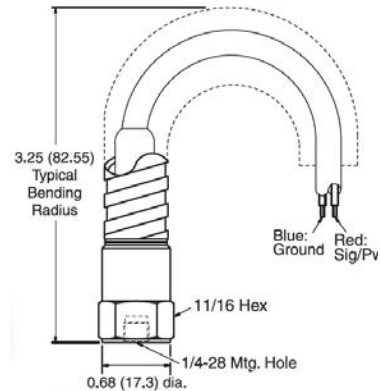


- Configurable cable length and terminating connector



ACCELEROMETER WITH INTEGRAL ARMORED POLYURETHANE CABLE

MODEL 603C61



- Configurable cable length, armor length and terminating connector

RING STYLE ICP[®] ACCELEROMETER

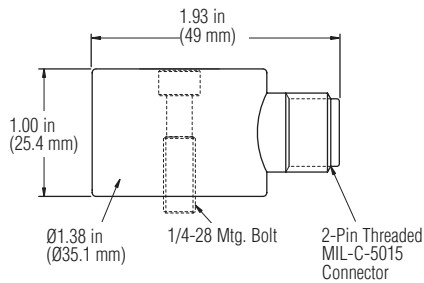
606 Series



ACCELEROMETER WITH MIL CONNECTOR

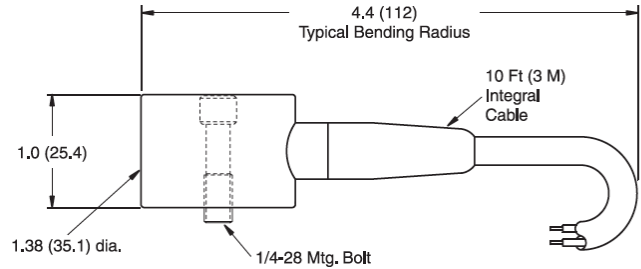
MODEL 606B01

- Side exit connector
- Through bolt aids in cable orientation



SPECIFICATIONS	
Performance	
Sensitivity ($\pm 10\%$)	100 mV/g 10.2 mV/(m/s ²)
Measurement Range	± 50 g ± 490 m/s ²
Frequency Range (± 3 dB)	0.5 to 10000 Hz
Resonant Frequency	25 kHz
Broadband Resolution (1 to 10000 Hz)	350 μ g 3434 μ m/s ²
Non-Linearity	± 1 %
Transverse Sensitivity	≤ 7 %
Environmental	
Overload Limit (Shock)	5000 g pk 49050 m/s ² pk
Temperature Range	-65 to +250 °F -54 to +121 °C
Enclosure Rating	IP68
Electrical	
Settling Time (within 1% of bias)	≤ 2.0 sec
Discharge Time Constant	≥ 0.3 sec
Excitation Voltage	18 to 28 VDC
Constant Current Excitation	2 to 20 mA
Output Impedance	< 150 Ohm
Output Bias Voltage	8 to 12 VDC
Spectral Noise (10 Hz)	8 μ g/√Hz
Spectral Noise (100 Hz)	5 μ g/√Hz
Spectral Noise (1 kHz)	4 μ g/√Hz
Electrical Isolation (Case)	$> 10^8$ Ohm
Physical	
Sensing Element	Ceramic
Sensing Geometry	Shear
Housing Material	Stainless Steel
Sealing	Welded Hermetic
Mounting Thread	1/4-28 Male
Mounting Torque	2 to 5 ft-lb 2.7 to 6.8 Nm
Electrical Connector	2-Pin MIL-C-5015
Electrical Connection Position	Side
Weight	4.4 oz 124 g
Accessories	
Model 081A68: Mounting bolt, 1/4-28 x 0.87"	

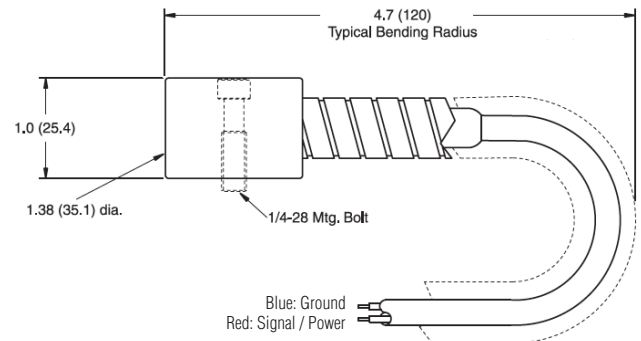
ADDITIONAL BASE MODEL CONFIGURATIONS



ACCELEROMETER WITH INTEGRAL POLYURETHANE CABLE

MODEL 606B11

- Configurable cable length and terminating connector



ACCELEROMETER WITH INTEGRAL ARMORED POLYURETHANE CABLE

MODEL 606B61

- Configurable cable length, armor length and terminating connector

SWIVEL BASE ICP® ACCELEROMETER

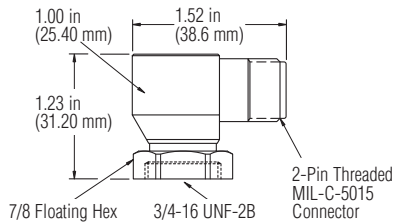
607 Series



ACCELEROMETER WITH MIL CONNECTOR

MODEL 607A01

- Patented 360° swivel mount design
- Simple installation with cable able to be positioned in any direction



SPECIFICATIONS

Performance	
Sensitivity ($\pm 10\%$)	100 mV/g 10.2 mV/(m/s ²)
Measurement Range	± 50 g ± 490 m/s ²
Frequency Range (± 3 dB)	0.5 to 10000 Hz
Resonant Frequency	18 kHz
Broadband Resolution (1 to 10000 Hz)	350 μ g 3434 μ m/s ²
Non-Linearity	± 1 %
Transverse Sensitivity	≤ 7 %
Environmental	
Overload Limit (Shock)	5000 g pk 49050 m/s ² pk
Temperature Range	-65 to +250 °F -54 to +121 °C
Enclosure Rating	IP68
Electrical	
Settling Time (within 1% of bias)	≤ 2.0 sec
Discharge Time Constant	≥ 0.3 sec
Excitation Voltage	18 to 28 VDC
Constant Current Excitation	2 to 20 mA
Output Impedance	< 150 Ohm
Output Bias Voltage	8 to 12 VDC
Spectral Noise (10 Hz)	8 μ g/√Hz
Spectral Noise (100 Hz)	5 μ g/√Hz
Spectral Noise (1 kHz)	4 μ g/√Hz
Electrical Isolation (Case)	$> 10^8$ Ohm
Physical	
Sensing Element	Ceramic
Sensing Geometry	Shear
Housing Material	Stainless Steel
Sealing	Welded Hermetic
Mounting Thread	1/4-28 Male
Mounting Torque (Stud)	3 to 4 ft-lb 4.1 to 5.4 Nm
Mounting Torque (Hex Nut)	2 to 3 ft-lb 2.7 to 4.1 Nm
Electrical Connector	2-Pin MIL-C-5015
Electrical Connection Position	Side
Weight	3.7 oz 105 g
Accessories	
Model 080A162: Mounting stud, 3/4-16 to 1/4-28	

SWIVELER® ICP® ACCELEROMETER

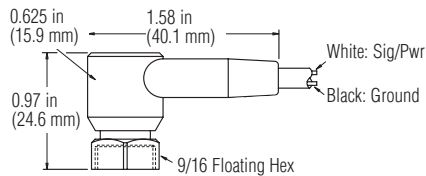
607 Series



ACCELEROMETER WITH INTEGRAL POLYURETHANE CABLE

MODEL 607A11

- World's smallest industrial accelerometer to easily fits in tight spaces
- Patented 360° swivel mount design provides hassle-free cable orientation



SPECIFICATIONS	
Performance	
Sensitivity ($\pm 15\%$)	100 mV/g 10.2 mV/(m/s ²)
Measurement Range	± 50 g ± 490 m/s ²
Frequency Range (± 3 dB)	0.5 to 10000 Hz
Resonant Frequency	25 kHz
Broadband Resolution (1 to 10000 Hz)	350 μ g 3434 μ m/s ²
Non-Linearity	± 1 %
Transverse Sensitivity	≤ 7 %
Environmental	
Overload Limit (Shock)	5000 g pk 49050 m/s ² pk
Temperature Range	-65 to +250 °F -54 to +121 °C
Enclosure Rating	IP68
Electrical	
Settling Time (within 1% of bias)	≤ 2.0 sec
Discharge Time Constant	≥ 0.3 sec
Excitation Voltage	18 to 28 VDC
Constant Current Excitation	2 to 20 mA
Output Impedance	< 150 Ohm
Output Bias Voltage	8 to 12 VDC
Spectral Noise (10 Hz)	8 μ g/ $\sqrt{\text{Hz}}$
Spectral Noise (100 Hz)	5 μ g/ $\sqrt{\text{Hz}}$
Spectral Noise (1 kHz)	4 μ g/ $\sqrt{\text{Hz}}$
Electrical Isolation (Case)	$> 10^9$ Ohm
Physical	
Sensing Element	Ceramic
Sensing Geometry	Shear
Housing Material	Stainless Steel
Sealing	Welded Hermetic
Mounting Thread	1/4-28 Male
Mounting Torque (Stud)	3 to 4 ft-lb 4.1 to 5.4 Nm
Mounting Torque (Hex Nut)	2 to 3 ft-lb 2.7 to 4.1 Nm
Electrical Connector	Molded Integral Cable
Electrical Connection Position	Side
Weight	1.1 oz 31 g
Accessories	
Model 080A156: Mounting stud, 1/2-20 to 1/4-28	

SPINDLER® ICP® ACCELEROMETER

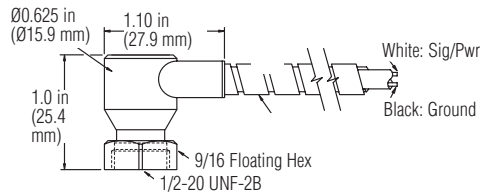
607 Series



ACCELEROMETER WITH INTEGRAL ARMORED POLYURETHANE CABLE

MODEL 607A61

- World's smallest industrial accelerometer to easily fits in tight spaces
- Patented 360° swivel mount design provides hassle-free cable orientation

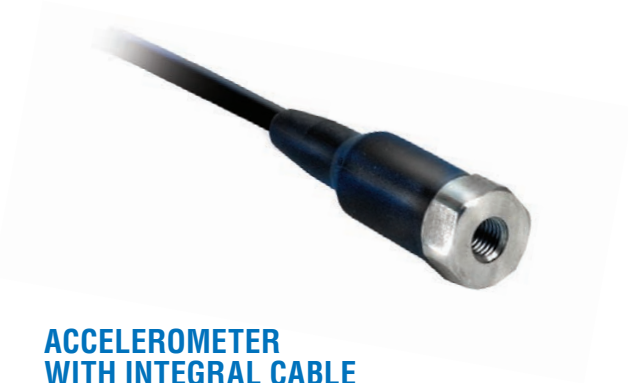


SPECIFICATIONS

Performance	
Sensitivity (±15%)	100 mV/g 10.2 mV/(m/s ²)
Measurement Range	±50 g ±490 m/s ²
Frequency Range (±3 dB)	0.5 to 10000 Hz
Resonant Frequency	25 kHz
Broadband Resolution (1 to 10000 Hz)	350 µg 3434 µm/s ²
Non-Linearity	±1 %
Transverse Sensitivity	≤7 %
Environmental	
Overload Limit (Shock)	5000 g pk 49050 m/s ² pk
Temperature Range	-65 to +250 °F -54 to +121 °C
Enclosure Rating	IP67
Electrical	
Settling Time (within 1% of bias)	≤2.0 sec
Discharge Time Constant	≥0.3 sec
Excitation Voltage	18 to 28 VDC
Constant Current Excitation	2 to 20 mA
Output Impedance	<150 Ohm
Output Bias Voltage	8 to 12 VDC
Spectral Noise (10 Hz)	8 µg/√Hz
Spectral Noise (100 Hz)	5 µg/√Hz
Spectral Noise (1 kHz)	4 µg/√Hz
Electrical Isolation (Case)	>10 ⁸ Ohm
Physical	
Sensing Element	Ceramic
Sensing Geometry	Shear
Housing Material	Stainless Steel
Sealing	Welded Hermetic
Mounting Thread	1/4-28 Male
Mounting Torque (Stud)	3 to 4 ft-lb 4.1 to 5.4 Nm
Mounting Torque (Hex Nut)	2 to 3 ft-lb 2.7 to 4.1 Nm
Electrical Connector	Integral Armored Cable
Electrical Connection Position	Side
Weight	1.1 oz 31 g
Accessories	
Model 080A156: Mounting stud, 1/2-20 to 1/4-28	

SMALL FOOTPRINT ICP[®] ACCELEROMETER

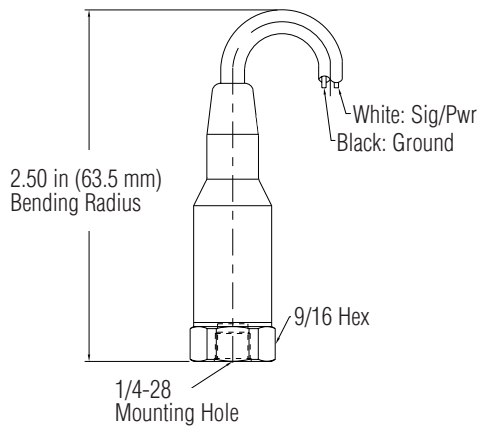
608 Series



ACCELEROMETER WITH INTEGRAL CABLE

MODEL 608A11

- Smallest footprint of any industrial accelerometer



SPECIFICATIONS

Performance

Sensitivity ($\pm 10\%$)	100 mV/g 10.2 mV/(m/s ²)
Measurement Range	± 50 g ± 490 m/s ²
Frequency Range (± 3 dB)	0.5 to 10000 Hz
Resonant Frequency	22 kHz
Broadband Resolution (1 to 10000 Hz)	350 μ g 3434 μ m/s ²
Non-Linearity	± 1 %
Transverse Sensitivity	≤ 7 %

Environmental

Overload Limit (Shock)	5000 g pk 49050 m/s ² pk
Temperature Range	-65 to +250 °F -54 to +121 °C
Enclosure Rating	IP68

Electrical

Settling Time (within 1% of bias)	≤ 2.0 sec
Discharge Time Constant	≥ 0.3 sec
Excitation Voltage	18 to 28 VDC
Constant Current Excitation	2 to 20 mA
Output Impedance	< 150 Ohm
Output Bias Voltage	8 to 12 VDC
Spectral Noise (10 Hz)	8 μ g/ \sqrt Hz
Spectral Noise (100 Hz)	5 μ g/ \sqrt Hz
Spectral Noise (1 kHz)	4 μ g/ \sqrt Hz
Electrical Isolation (Case)	$> 10^8$ Ohm

Physical

Sensing Element	Ceramic
Sensing Geometry	Shear
Housing Material	Stainless Steel
Sealing	Molded
Mounting Thread	1/4-28 Female
Mounting Torque	2 to 5 ft-lb 2.7 to 6.8 Nm
Electrical Connector	Integral Cable
Electrical Connection Position	Top
Cable Type	Polyurethane
Weight	3.5 oz 99.3 g

Accessories

Model 081A40: Mounting stud, 1/4-28 x 0.438



3425 Walden Avenue, Depew, NY 14043 USA

pcb.com/imi-sensors | imi@pcb.com | 800 959 4464 | +1 716 684 0003

© 2023 PCB Piezotronics - all rights reserved. PCB Piezotronics is a wholly-owned subsidiary of Amphenol Corporation. Endevco is an assumed name of PCB Piezotronics of North Carolina, Inc., which is a wholly-owned subsidiary of PCB Piezotronics, Inc. Accumetrics, Inc. and The Modal Shop, Inc. are wholly-owned subsidiaries of PCB Piezotronics, Inc. IMI Sensors and Larson Davis are Divisions of PCB Piezotronics, Inc. Except for any third party marks for which attribution is provided herein, the company names and product names used in this document may be the registered trademarks or unregistered trademarks of PCB Piezotronics, Inc., PCB Piezotronics of North Carolina, Inc. (d/b/a Endevco), The Modal Shop, Inc. or Accumetrics, Inc. Detailed trademark ownership information is available at www.pcb.com/trademarkownership.

IMI-VIB-LowCostAccels-1223