

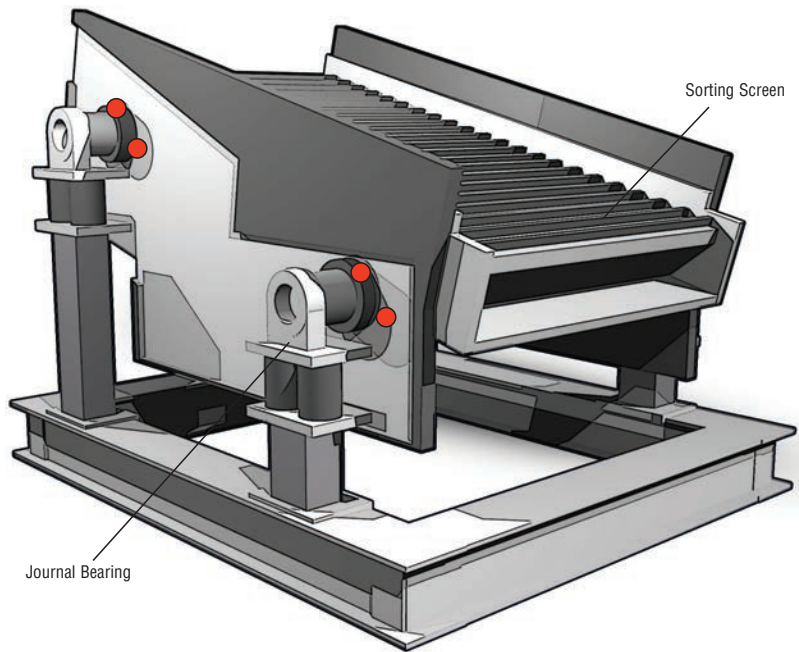
# VIBRATORY SCREENS & FEEDERS

 **IMI SENSORS**  
A PCB DIVISION

[pcb.com/imi-sensors](http://pcb.com/imi-sensors) | 1 800 959 4464

# VIBRATORY SCREENS & FEEDERS

Vibration monitoring of vibrating screens and feeders is critical to determining machinery health and preventing overloading or catastrophic damage to equipment. Because this type of equipment is intended to operate with high levels of vibration, low sensitivity high range sensors are optimal. Because these types of processes are often dirty, wet and debris may damage cables, therefore armor jacketed cables are recommended.



● Suggested Sensor Placement

## 4-20 MA TRANSMITTERS



### 4-20 MA OUTPUT TRANSMITTER

MODEL 642AXX

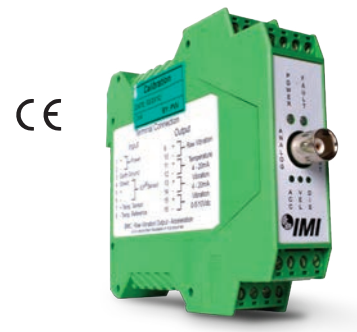
- Cost-effective 4-20 mA output sensor
- Available in top or side exit casings
- Ruggedized industrial design



### 4-20 MA OUTPUT TRANSMITTER

MODEL EX640B71

- Available in velocity or acceleration output
- ATEX / CSA approved with explosion proof conduit
- Top exit, 2-pole terminal block



### 4-20 MA SENSOR RETRANSMIT MODULE

MODEL 682C03

- Accepts ICP® sensor input, outputs 4-20 mA proportional to vibration
- Selectable displacement, velocity, or acceleration output
- Analog vibration output via front BNC for fault diagnostics



## RELAY PRODUCTS



### LINEAR ADJUST MECHANICAL VIBRATION SWITCH

MODEL 685AX9

- Patent pending, spring-loaded, magnetically coupled mechanism
- Cost-effective protection for less critical applications
- Manual and remote reset options available



### ELECTRONIC VIBRATION SWITCH

SERIES 685B

- Lower cost than competitive models
- Dual set points (relays)
- Explosion proof options available



### USB PROGRAMMABLE SMART SWITCH

SERIES 686

- Programmable delays eliminate false trips
- Competitive price compared to mechanical switches
- Explosion proof options available

### UNIVERSAL TRANSMITTER

MODEL 682A06

- Optional front panel programmer with LCD display
- Provides loop power
- Accepts mA, ohm, RTD and thermocouple



3425 Walden Avenue, Depew, NY 14043 USA

pcb.com/imi-sensors | imi@pcb.com | 800 959 4464 | +1 716 684 0003

IMI Sensors offers a wide range of industrial vibration sensors, bearing fault detectors, mechanical vibration switches, panel meters, cables, and accessories for predictive maintenance and equipment protection. For power generation and energy applications requiring precision measurements, IMI also offers pressure sensors and accelerometers.

© 2021 PCB Piezotronics - all rights reserved. PCB Piezotronics is a wholly-owned subsidiary of Amphenol Corporation. Endevco is an assumed name of PCB Piezotronics of North Carolina, Inc., which is a wholly-owned subsidiary of PCB Piezotronics, Inc. Accumetrics, Inc. and The Modal Shop, Inc. are wholly-owned subsidiaries of PCB Piezotronics, Inc. IMI Sensors and Larson Davis are Divisions of PCB Piezotronics, Inc. Except for any third party marks for which attribution is provided herein, the company names and product names used in this document may be the registered trademarks or unregistered trademarks of PCB Piezotronics, Inc., PCB Piezotronics of North Carolina, Inc. (d/b/a Endevco), The Modal Shop, Inc. or Accumetrics, Inc. Detailed trademark ownership information is available at [www.pcb.com/trademarkownership](http://www.pcb.com/trademarkownership).