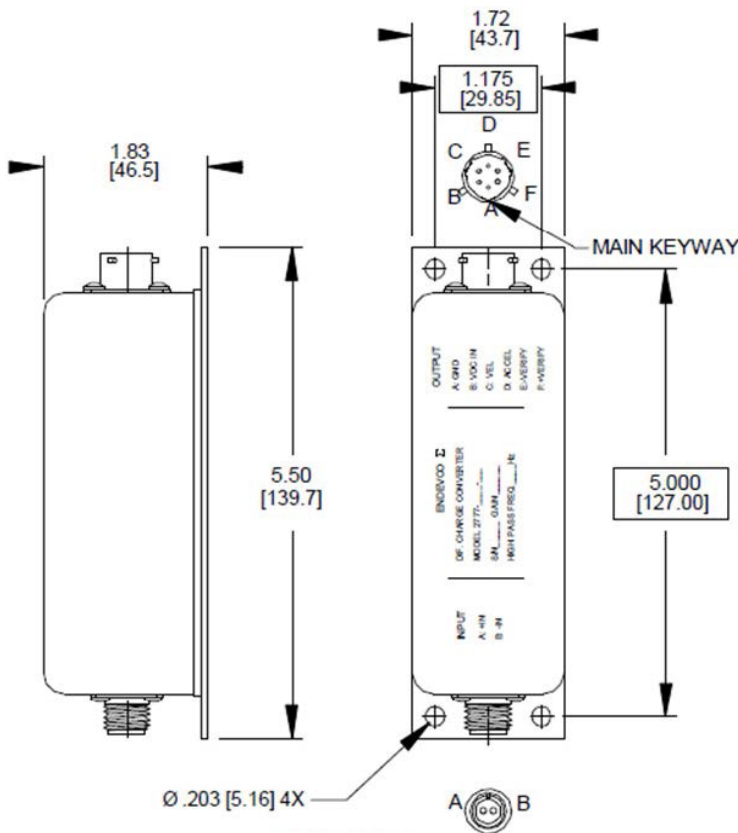


Differential remote charge converter

Model 2777A



STANDARD TOLERANCE

INCHES	[MILLIMETERS]
.XX = ± .03	[.X = ± .8]
.XXX = ± .010	[.XX = ± .25]

Key features

- Acceleration and velocity outputs
- High pass filter options
- Low noise
- Frequency response (10 Hz - 10 kHz)
- Two optional gains

Description

Model 2777A-XX-YY Differential Remote Charge Converter (DRCC) is a low noise ruggedized device designed for use with differential piezoelectric transducers. This device converts the transducer's high impedance charge input to a low impedance voltage output. The acceleration output is also integrated to produce an AC voltage proportional to velocity output.

The low impedance output from the DRCC provides less susceptibility to noise in the cabling from the DRCC to the main signal conditioning instrument, and it also makes the system's noise level insensitive to the capacitance of the cable connecting the DRCC to the main conditioner. This is a low noise device with a frequency response of 10 Hz to 10 kHz. The DRCC operates over the temperature range of 5°F to 185°F (-15°C to 85°C).

Differential remote charge converter | Model 2777A

Specifications

Inputs

Differential PE input	Differential with shield connected to case
Input connection	
Input source resistance	50 K Ω minimum
Input source capacitance	30 000 pF, maximum
Maximum input charge	37,500 pC pk for all gains (in the pass-band) for instantaneous recovery

Outputs

Acceleration and velocity	Single ended with body shell isolated from signal ground
Output impedance	50 Ω maximum
Capacitance load	30 000 pF maximum
DC output bias (DC offset)	9.0 Vdc \pm 1.5 Vdc over the temp range 5°F to 185°F (-15°C to 85°C)
Linear output voltage	10 Vpk-pk minimum
Limited output voltage	15 Vpk-pk with 22 Vdc minimum compliance voltage
Output current	15 mA maximum
Linearity	\pm 1% of reading from the best straight line
Residual noise (RTO)	-02-YYY: 1.0 mV RMS maximum, -10-YYY: 5mV RMS maximum referred to output

Transfer characteristics

Gain (Cs = 1000 pf)	-02-YYY:2 mV/EU per pC/g,-10-YYY:10mV/EU per pC/g (for acceleration: EU=g) (for velocity: EU=IPS)
Gain error	\pm 3.0% at 100 Hz for Cs < 1000 pF (at 25°C)
Gain stability with temperature	Less than \pm 1%
Frequency response	Flat within the lower and upper cutoff frequencies
Lower cutoff frequency (Reference frequency 100Hz)	Acceleration: High-pass-roll-off -36 dB/octave at f < 2.27 Hz Velocity: High-pass roll-off -42 dB/octave at f < 2.27 Hz -5% corner frequency YYY = 10/15/20/25/150 Hz \pm 10% -3 dB Corner frequency = 5.73/8.59/11.5/14.3/86 Hz \pm 10%
Upper cutoff frequency (Reference frequency 100 Hz)	Low-pass roll-off -12 dB/octave -5% corner = 10 kHz \pm 5%, -3dB corner = 17.5 kHz \pm 10%

Power requirements

DC voltage requirements	22 Vdc to 31 Vdc
DC current requirement	15 mA
Warm up time	10 seconds

Physical characteristics

Dimensions	1.72" h x 1.67" w x 5.5" d (46.5 mm x 42.4 mm x 139.77mm)
Weight	8.0 oz maximum
Case material	Aluminum
Finish	Black powder coat

Environmental requirements

Operating temperature	5°F to 185°F (-15°C to 85°C)
Short term operating temperature	-10°F to 185°F (-23.3°C to 85°C)
Storage temperature	-76°F to 257°F (-60°C to 125°C)
Humidity	The unit will withstand 95% relative humidity
Vibration	7 g-pk from 55 Hz to 2 kHz
Shock	100 g-pk with 3.6 ms haversine pulse
Radiation	10 ⁵ Rads (integrated Gamma)
Reliability (MTBF)	30 000 hours or greater

Differential remote charge converter | Model 2777A

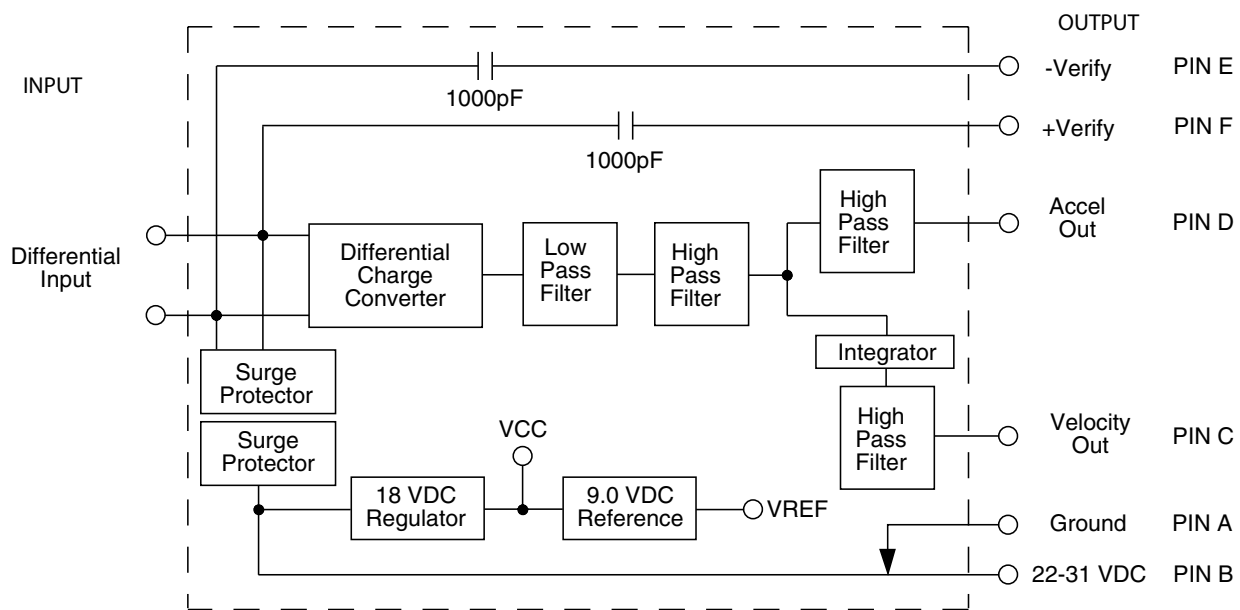
Accessories		
Product	Description	2777A
EJ1191	Mating connector, input connector, Amphenol 2 pin straight plug, PC06A-8-2P(424)	Included
EJ1190	Mating connector, output connector, Amphenol 6 pin socket plug, PT06A-10-6S(470)	Included

Ordering Information		
	Gain accel. out	Gain vel
2777A-02-YYY	2 mV/pC	2 mV/IPS/pC/g
2777A-10-YYY	10 mV/pC	10 mV/IPS/pC/g

Where YYY is 10, 15, 20, 25 or 150 Hz lower cut-off frequency

Notes

1. Maintain high levels of precision and accuracy using Endevco's factory calibration services. Call Endevco's inside sales force at 866-ENDEVCO for recommended intervals, pricing and turn-around time for these services as well as for quotations on our standard products.



10869 NC Highway 903, Halifax, NC 27839 USA

endevco.com | sales@endevco.com | 866 363 3826

© 2024 PCB Piezotronics - all rights reserved. PCB Piezotronics is a wholly-owned subsidiary of Amphenol Corporation. Endevco is an assumed name of PCB Piezotronics of North Carolina, Inc., which is a wholly-owned subsidiary of PCB Piezotronics, Inc. Accumetrics, Inc. and The Modal Shop, Inc. are wholly-owned subsidiaries of PCB Piezotronics, Inc. IMI Sensors and Larson Davis are Divisions of PCB Piezotronics, Inc. Except for any third party marks for which attribution is provided herein, the company names and product names used in this document may be the registered trademarks or unregistered trademarks of PCB Piezotronics, Inc., PCB Piezotronics of North Carolina, Inc. (d/b/a Endevco), The Modal Shop, Inc. or Accumetrics, Inc. Detailed trademark ownership information is available at www.pcb.com/trademarkownership.