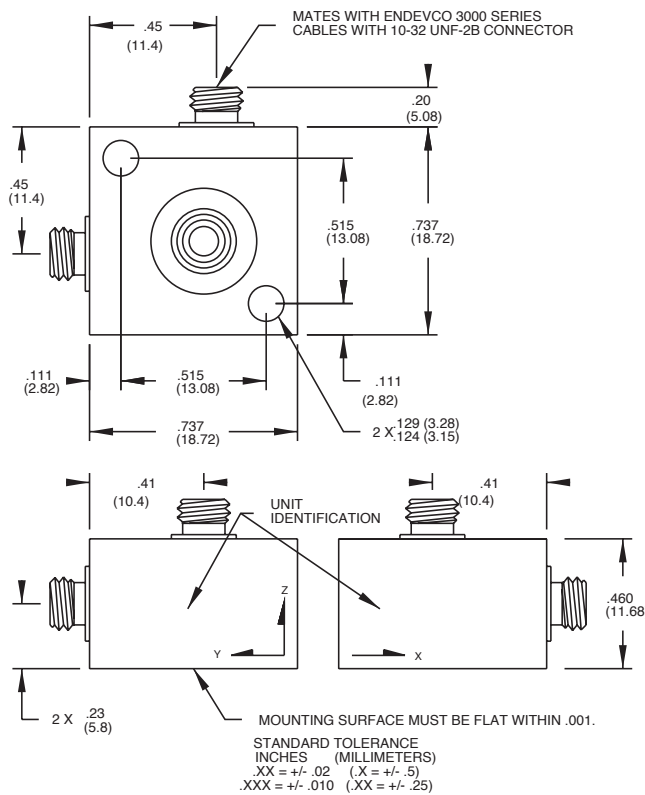
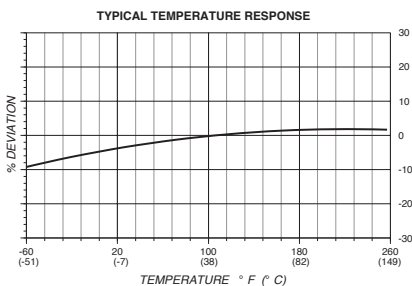
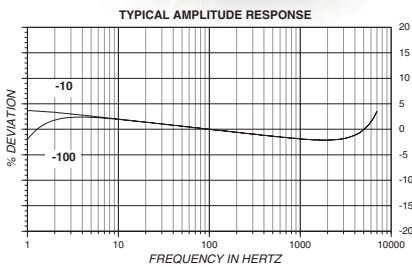


Isotron[®] accelerometer

Model 2258A



Key features

- NEW! 2258A-10-R available as replacement sensor
- Triaxial
- Light weight (15 gm)
- Hermetically sealed
- Milli-g's resolution
- Robotics, machine tools, aerospace structures

The Endevco[®] model 2258A is a small triaxial piezoelectric accelerometer with integral electronics, designed specifically for measuring vibration in three orthogonal axes on small structures. The transducer features three hermetically sealed 10-32 connectors for output connection, and can be screw or adhesive mounted. Its light weight (15 gm) effectively minimizes mass loading effects.

The model 2258A features Endevco's Piezite[®] type P-8 crystal elements, operating in annular shear mode, which exhibit excellent output sensitivity stability over time. This accelerometer incorporates three stand-alone, low noise internal hybrid signal conditioners, each operating in a two-wire system. Its low impedance voltage outputs are connected to the same cables that supply the required constant current power. Signal grounds are isolated from each other and the mounting surface. A model number suffix indicates acceleration sensitivity in mV/g; i.e., 2258A-10 features output sensitivity of 10 mV/g.

Endevco signal conditioner models 4416B, 133, 2792B, 2793, 2775B, 4999, 6634C or Oasis 2000 (4990-X with cards 428 and/or 433) computer-controlled system are recommended for use with this accelerometer.

Isotron[®] accelerometer

Model 2258A

Specifications

The following performance specifications conform to ISA-RP-37.2 (1964) and are typical values, referenced at +75°F (+24°C) and 100 Hz, unless otherwise noted. Calibration data, traceable to National Institute of Standards and Technology (NIST), is supplied.

Dynamic characteristics	Units	-10	-100
Range	g	±500	±50
Voltage sensitivity ±10%	mV/g	10	100
Frequency response		See typical amplitude response	
Resonance frequency			
typical	kHz	20	20
minimum	kHz	18	18
Amplitude response ±10%	Hz	1 to 7000	1 to 7000
±10%			
Temperature response		See typical curve	
-67°F (-55°C) max	%	-15	-15
257°F (125°C) max	%	+5	+5
Transverse sensitivity	%	≤ 5	≤ 5
Amplitude linearity	%	≤ 1 to full scale	≤ 1 to full scale
Output characteristics			
Output polarity		Acceleration applied in the direction of arrow on the unit produces positive output	
DC output bias voltage	Vdc	+12.3 to +13.5	+12.3 to +13.5
-67°F to 257°F (-55°C to 125°C)	Vdc	+7.0 to +16.0	+7.0 to +16.0
Output impedance	Ω	≤ 200	≤ 200
Full scale output voltage	V	±5	±5
Residual noise			
typical	equiv. g rms	0.001	0.0003
maximum	equiv. g rms	≤ 0.002	≤ 0.0005
0.5 Hz to 10 kHz, broadband			
Grounding		Each sensor is isolated from the other signal grounds and the triaxial housing	
Overload recovery	μsec	≤ 45	≤ 45
Load		see load diagram	
Power requirement			
Supply voltage	Vdc	+23 to +30	+23 to +30
Supply current	mA	+2 to +20	2 to +20
Warm-up time (to within 10% of final bias)	sec	< 8	< 8
Environmental characteristics			
Temperature range		-67°F to 257°F (-55°C to +125°C)	
Humidity		Hermetically sealed	Hermetically sealed
Sinusoidal vibration limit	g pk	±1000	±1000
Shock limit [1]	g pk	2000	2000
Base strain sensitivity			
X and Y axis	equiv. g pk/μstrain	0.0004	0.0004
Z axis	equiv. g pk/μstrain	0.004	0.004
Thermal transient sensitivity	equiv. g pk/°F (1/°C)	0.1 (0.18)	0.1 (0.18)
Electromagnetic sensitivity	equiv. g rms/gauss	0.0001	0.0001
Physical characteristics			
Dimensions		See outline drawing	
Weight	oz (gm)	0.53 (15)	0.53 (15)
Case material		Hard anodized aluminum housing	
Connector		Coaxial, 10-32 thread, mates with Endevco 3000 series cable	
Mounting torque	lbf-in (Nm)	8 (1)	8 (1)

Isotron[®] accelerometer

Model 2258A

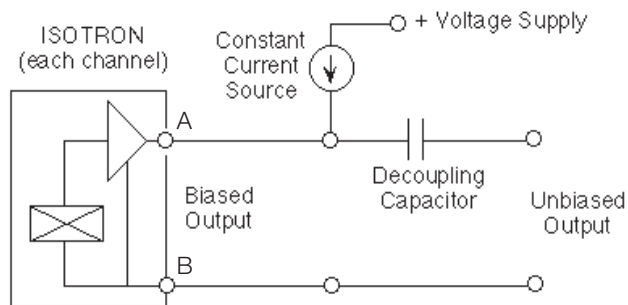
Calibration

Supplied:

Sensitivity	mV/g		
Maximum transverse sensitivity	%		
Frequency response	%	20 Hz to 10 kHz	20 Hz to 10 kHz
	dB	10 kHz to 50 kHz (Z axis only)	10 kHz to 50 kHz (Z axis only)

Accessories

Product	Description	2258A-10, 2258A-100	2258A-10-R
3061A-120	Cable assembly, three each [2]	Included	Optional
EH156	Screw, mach. #4-40 x 5/8, two each	Included	Included
EHW53	#4 washer LP, 18-8 cress, two each	Included	Included



Notes:

1. Short duration shock pulses, such as those generated by metal-to-metal impacts, may excite transducer resonance and cause linearity errors. Send for TP290 for more details.
2. Flexible cable, such as the supplied 3060A, should be used to minimize cable-strain errors.
3. Adhesives such as petro-wax, hot-melt glue, and cyanoacrylate epoxy (super glue) may be used to mount the accelerometer temporarily to the test structure. An adhesive mounting kit (P/N 31849) is available as an option from Endevco. To remove an epoxy-mounted accelerometer, first soften the epoxy with an appropriate solvent and then
4. Maintain high levels of precision and accuracy using Endevco's factory calibration services. Call Endevco's inside sales force at 866-ENDEVCO for recommended intervals, pricing and turn-around time for these services as well as for quotations on our standard products.

Contact

ENDEVCO

www.endevco.com

Tel: +1 (866) ENDEVCO

[+1 (866) 363-3826]